



Premier Ductable Heaters

TS080	80,000 Btuh / 23.4 kW
TS170	170,000 Btuh / 49.8 kW
CS080	80,000 Btuh / 23.4 kW
CS170	170,000 Btuh / 49.8 kW

LP Vapor Withdrawal or Natural Gas
Dual Fuel

View this manual online at www.lbwhite.com

Attention

This heater has been tested and evaluated by the CSA Group in accordance with the requirements of Standard ANSI Z83.7•CSA 2.14 and is listed and approved as a ductable direct gas-fired forced-air construction heater with application for the temporary heating of buildings under construction, alteration, or repair. Additionally, this heater has been application reviewed and approved by the CSA Group for U.S. and Canadian Tent Heating Applications with temporary human occupancy. CHECK WITH YOUR LOCAL FIRE SAFETY AUTHORITY, YOUR LOCAL FUEL GAS SUPPLIER, OR THE L.B. WHITE COMPANY IF YOU HAVE QUESTIONS REGARDING APPLICATIONS.

www.lbwhite.com



Congratulations!

You have purchased the finest circulating heater available. Your new L.B. White heater incorporates the benefits from the most experienced manufacturer of heating products using state-of-the-art technology.

We, at L.B. White, thank you for your confidence in our products and welcome any suggestions or comments you may have... contact us at 1-800-345-7200, or email us at customerservice@lbwhite.com.

**SEE ASSEMBLY
INSTRUCTIONS
INSIDE**

**Please refer to important
elevation information on
inside cover.**



SCAN THIS

with your smartphone or visit <http://goo.gl/nvneR> to view maintenance videos for L.B. White heaters.*

* Requires an app like QR Droid for Android or for iPhone

WORLD PROVIDER - INNOVATIVE HEATING SOLUTIONS

411 Mason Street, Onalaska, WI 54650 • 800-345-7200 • 608-783-5691 • 608-783-6115 (fax) • www.lbwhite.com

TABLE OF CONTENTS

Heater Specifications.....	4
General Information.....	5
Safety Precautions.....	6
Installation Instructions	
General.....	9
Propane Gas Supply Sizing.....	11
Sliding Handle (Premier 170).....	12
Hose Hanger, Regulator Storage Bracket & Thermostat Storage Bracket.....	12
Wheel, Leg & Lifting Handle Assembly (Premier 170).....	13
Leg Assembly (Premier 80).....	13
Hose and Regulator Assembly.....	14
Thermostat Connection.....	14
Duct Kit Assembly.....	15
Unit Diffuser Assembly.....	16
End Diffuser Assembly.....	17
Connecting Regulator to Gas Supply	
Premier 80 and 170 LP and Natural Gas Heaters.....	18
Premier 80 and 170 Dual Fuel Heaters.....	18
Start-Up Instructions.....	20
Shut-Down Instructions.....	21
Gas Selector Valve (DF Heaters).....	21
Cleaning Instructions.....	22
Maintenance Instructions.....	23
Service Instructions	
General.....	24
Motor and Fan Wheel.....	24
Air Proving Switch.....	25
Igniter and Flame Sensor Assembly.....	25
Manual Reset High Limit Switches.....	26
Burner Orifice & Gas Control Valve.....	27
Ignition Control.....	28
Transformer.....	28
Gas Pressure Checks.....	29
Troubleshooting Information.....	31
Electrical Connection and Ladder Diagram, TS080/170.....	38
Heater Component Function.....	39
Parts Identification	
Parts Schematic and Parts List	
Premier 80, LP, Natural Gas, and Dual Fuel.....	41-42
Premier 170, LP, Natural Gas, and Dual Fuel.....	43-44
Warranty Policy.....	47
Replacement Parts and Service.....	47

WARNING

Standard products are manufactured to operate at optimum efficiency at elevations between 0 and 2000 ft. (0-610 m) above sea level.

If operated at higher elevations the product will not function correctly and may function in an unsafe nature.

Products providing proper operation for alternate elevations may be available.

If you require a high elevation product, did not specify when ordering, and/or the box this unit came in does not have an alternate altitude designation sticker please contact technical support.

GENERAL HAZARD WARNING

- FAILURE TO COMPLY WITH THE PRECAUTIONS AND INSTRUCTIONS PROVIDED WITH THIS HEATER CAN RESULT IN:
 - DEATH
 - SERIOUS BODILY INJURY OR BURNS
 - PROPERTY DAMAGE OR LOSS FROM FIRE OR EXPLOSION
 - ASPHYXIATION DUE TO LACK OF ADEQUATE AIR SUPPLY OR CARBON MONOXIDE POISONING
 - ELECTRICAL SHOCK
- READ THIS OWNER'S MANUAL BEFORE INSTALLING OR USING THIS PRODUCT.
- ONLY PERSONS WHO CAN READ, UNDERSTAND, AND FOLLOW THE INSTRUCTIONS SHOULD USE OR SERVICE THIS HEATER.
- SAVE THIS OWNER'S MANUAL FOR FUTURE USE AND REFERENCE.
- OWNER'S MANUALS AND REPLACEMENT LABELS ARE AVAILABLE AT NO CHARGE. SEE WEBSITE, OR FOR ASSISTANCE, CONTACT L.B. WHITE AT 1-800-345-7200.

WARNING

- PROPER GAS SUPPLY PRESSURE MUST BE PROVIDED TO THE INLET OF THE HEATER.
- REFER TO DATA PLATE FOR PROPER GAS SUPPLY PRESSURE.
- GAS PRESSURE IN EXCESS OF THE MAXIMUM INLET PRESSURE SPECIFIED AT THE HEATER INLET CAN CAUSE FIRES OR EXPLOSIONS.
- FIRES OR EXPLOSIONS CAN LEAD TO SERIOUS INJURY, DEATH, OR BUILDING DAMAGE.
- GAS PRESSURE BELOW THE MINIMUM INLET PRESSURE SPECIFIED AT THE HEATER INLET MAY CAUSE IMPROPER COMBUSTION.
- IMPROPER COMBUSTION CAN LEAD TO ASPHYXIATION OR CARBON MONOXIDE POISONING AND THEREFORE SERIOUS INJURY OR DEATH.

WARNING

FIRE AND EXPLOSION HAZARD

- NOT FOR HOME OR RECREATIONAL VEHICLE USE.
- INSTALLATION OF THIS HEATER IN A HOME OR RECREATIONAL VEHICLE MAY RESULT IN A FIRE OR EXPLOSION.
- FIRE OR EXPLOSIONS CAN CAUSE PROPERTY DAMAGE OR LOSS OF LIFE.

WARNING

FIRE, BURN, INHALATION, AND EXPLOSION HAZARD

- KEEP SOLID COMBUSTIBLES A SAFE DISTANCE AWAY FROM THE HEATER.
- SOLID COMBUSTIBLES INCLUDE WOOD, PAPER, OR PLASTIC PRODUCTS, BUILDING MATERIALS AND DUST.
- DO NOT USE THE HEATER IN SPACES WHICH CONTAIN OR MAY CONTAIN VOLATILE OR AIRBORNE COMBUSTIBLES.
- VOLATILE OR AIRBORNE COMBUSTIBLES INCLUDE GASOLINE, SOLVENTS, PAINT THINNER, DUST PARTICLES OR UNKNOWN CHEMICALS.
- FAILURE TO FOLLOW THESE INSTRUCTIONS MAY RESULT IN A FIRE OR EXPLOSION.
- FIRE OR EXPLOSIONS CAN LEAD TO PROPERTY DAMAGE, PERSONAL INJURY OR DEATH.

FOR YOUR SAFETY

Do not store or use gasoline or other flammable vapors and liquids in the vicinity of this or any other appliance.

FOR YOUR SAFETY

If you smell gas:

1. Open windows.
2. Don't touch electrical switches.
3. Extinguish any open flame.
4. Immediately call your gas supplier.

WARNING

CALIFORNIA RESIDENTS:

When operating, this heater produces chemicals, including Carbon Monoxide, known to the State of California to cause birth defects and other reproductive harm. For more information, go to www.P65Warnings.ca.gov

Specifications

		TS080		CS080DF		TS170		CS170DF	
Fuel Type		Propane	Natural	Propane	Natural	Propane	Natural	Propane	Natural
Maximum Input (Btu/kW)		80,000/23.4				170,000/49.8			
Burner Manifold Pressure (Inches W.C./kPa)		10.0/2.49	4.0/1.0	10.0/2.49		10.0/2.49	4.0/1.0	5.4/1.34	5.5/1.37
Gas Supply Pressure Acceptable at the Inlet of the Heater for Purpose of Input Adjustment (Inches W.C./kPa)	MAX.	13.5/3.36							
	MIN.	12.0/2.99	8.0/1.99	11.0/2.74		11.0/2.74	7.0/1.74	7.0/2.74	
Fuel Consumption/ Hour	Propane (lbs./kg)	3.71/1.68				7.88 / 3.5			
	Natural Gas (cu.ft/m3)	80/2.27				70/4.81			
Motor Characteristics	Ball Bearing								
	1/8 H.P. / 93 Watts 1,100 RPM					1/3 H.P. / 248 Watts 1,100 RPM			
Electrical Supply (Volts/Hz/ Phase)	120/60/1								
Amp Draw	Starting	5.0				7.3			
	Continous Operation	1.5				5.0			
Dimensions (Inches/cm) LxWxH	29.5 x 13.5 x 20/75 x 34 x 51					30.75 x 18.25 x 28.25/78 x 46.3 x 71.7			
Minimum Safe Distances from Nearest Combustible Materials (feet/ meter)	Top	1 / 0.3							
	Sides	1 / 0.3							
	Back	1 / 0.3							
	Blower Outlet	6 / 1.83							
	Gas Supply	Propane Gas - U.S: 6/1.83, Canada: 3.05 Natural Gas - N/A							
Minimum Ambient Temperature in Which Heater May Be Used	-20°F / -29°C								

www.lbwwhite.com

General Information

This Owner's Manual includes accessories commonly used on this heater. These accessories must be ordered separately.

When calling for technical service assistance, or for other specific information, **always** have model number, configuration number and serial number available. This information is contained on the dataplate.

This manual will instruct you in the operation and care of your unit. Have your installer review this manual with you so that you fully understand the heater and how it functions.

Contact your local L.B. White distributor or the L.B. White Co., Inc. for assistance, or if you have any questions about the use of the equipment or its application.

The L.B. White Co., Inc. has a policy of continuous product improvement. It reserves the right to change specifications and design without notice.

Safety Precautions

WARNING

Asphyxiation Hazard

- Do not use this heater for heating human living quarters, garages, workshops, or other such confined spaces.
- Do not use in unventilated areas.
- The flow of combustion and ventilation air must not be obstructed.
- Proper ventilation air must be provided to support the combustion air requirements of the heater being used.
- Lack of proper ventilation air will lead to improper combustion.
- Improper combustion can lead to carbon monoxide poisoning leading to serious injury or death. Symptoms of carbon monoxide poisoning can include headaches, dizziness and difficulty in breathing.
- Proper ventilation air for combustion must be provided in accordance with OSHA 29 CFR 1926.154, Temporary Heating Devices, ANSI A10.10, Safety Requirements for Temporary and Portable Space Heating Devices, or the Natural Gas and Propane Installation Code, CAN/CSA B149.1 as appropriate.

Fuel Gas Odor

Propane gas and natural gas have man-made odorants added specifically for detection of fuel gas leaks. If a gas leak occurs, you should be able to smell the fuel gas. THAT'S YOUR SIGNAL TO GO INTO IMMEDIATE ACTION!

- Do not take any action that could ignite the fuel gas. Do not operate any electrical switches. Do not pull any power supply or extension cords. Do not light matches or any other source of flame. Do not use your telephone.
- Get everyone out of the building and away from the area immediately.
- Close all fuel supply valves.
- Propane gas is heavier than air and may settle in low areas. When you have reason to suspect a propane leak, keep out of all low areas.
- Use your neighbor's phone and call your fuel gas supplier and your fire department. Do not re-enter the building or area.
- Stay out of the building and away from the area until declared safe by the firefighters and your fuel gas supplier.
- FINALLY, let the fuel gas service person and the firefighters check for escaped gas. Have them air out the building and area before you return. Properly trained service people must repair the leak, check for further leakages, and then relight the heater for you.

Odor Fading - No Odor Detected

- Some people cannot smell well. Some people cannot smell the odor of the man-made chemical added to propane or natural gas. You must determine if you can smell the odorant in these fuel gases.
- Learn to recognize the odor of propane gas and natural gas. Local propane gas dealers and your local natural gas supplier (utility) will be more than happy to give you a "scratch and sniff" pamphlet. Use it to become familiar with the fuel gas odor.
- Smoking can decrease your ability to smell. Being around an odor for a period of time can affect your sensitivity to that particular odor.
- The odorant in propane gas and natural gas is colorless and the intensity of its odor can fade under some circumstances.
- If there is an underground leak, the movement of gas through the soil can filter the odorant.
- Propane gas odor may differ in intensity at different levels. Since propane gas is heavier than air, there may be more odor at lower levels.
- Always be sensitive to the slightest gas odor. If you continue to detect any gas odor, no matter how small, treat it as a serious leak. Immediately go into action as discussed previously.

Attention - Critical Points to Remember!

- Propane gas and natural gas have a distinctive odor. Learn to recognize these odors. (Reference "Fuel Gas Odor" and "Odor Fading" sections above.
 - If you have not been properly trained in repair and service of propane gas and natural gas fueled heaters, then do not attempt to light the heater, perform service or repairs, or make any adjustments to the heater on a propane gas or natural gas fuel system.
 - Even if you are not properly trained in the service and repair of radiant heaters, ALWAYS be consciously aware of the odors of propane gas and natural gas.
 - A periodic "sniff test" around the heater or at the heater's joints; i.e. hose, connections, etc., is a good safety practice under any conditions. If you smell even a small amount of gas, CONTACT YOUR FUEL GAS SUPPLIER IMMEDIATELY. DO NOT WAIT!
1. Do not attempt to install, repair, or service this heater or the gas supply line unless you have continuing expert training and knowledge of gas heaters.

QUALIFICATIONS FOR SERVICING AND INSTALLATION:

- a. To be a qualified gas heater service person, you must have been trained in gas-fired heater servicing, repair and also have sufficient experience to allow you to troubleshoot, replace defective parts, and test heaters in order to get them into a continuing safe and normal operation condition. You must completely familiarize yourself with each model heater by reading and complying with the safety instructions, labels, owner's manual, etc. that are provided with each heater.
- b. To be a qualified gas installation person, you must have sufficient training and experience to handle all aspects of installing, repairing, and altering gas lines, including selecting and installing the proper equipment, and selecting proper pipe size to be used. This must be done in accordance with all local, state and national codes as well as the manufacturer's requirements.
 - c. In the Commonwealth of Massachusetts, this product must be installed by a gas fitter licensed in the Commonwealth of Massachusetts.

WARNING **ELECTRICAL GROUNDING** **INSTRUCTIONS**

This heater is equipped with a three prong (grounding) plug for your protection against electrical shock hazard. It must be plugged into a properly grounded three prong receptacle. Failure to use a properly grounded receptacle can result in electrical shock or death.

2. All installations or applications of L. B. White Co., Inc.'s heaters shall meet the requirements of local, state and national L.P. gas and natural gas, electrical and safety codes. Your gas supplier, local licensed electrician, local fire department and government agencies can help you determine these requirements. In the absence of local codes, comply with the following:
 - a. Installations in the U.S.A.:
 - NFPA 102, standard for assembly seating, tents and membrane structures
 - ANSI/NFPA 58, latest edition, Standard for Storage and Handling of Liquefied Petroleum Gas and/or
 - ANSI Z223.1/NFPA 54, National Fuel Gas Code
 - ANSI/NFPA 70, National Electrical Code.
 - b. Installations in Canada:
 - CAN1-B149.1 or CAN1-B149.2 Installation Codes
 - CSA C22.1 Part 1 Standard Canadian Electrical Code. CSA C22.2 No.3, Electrical Features of Fuel Burning Equipment.
3. We cannot anticipate every use which maybe made of our heaters. Other standards govern the use of fuel gases and heat producing products in specific applications. Your local authority can advise you about these. Check with the local fire safety authority if you have questions about applications.
4. Forced air heaters shall not be directed toward any propane gas container within 20 feet/6.10 meters.
5. Do not wash the heater. Use only compressed air, a soft brush or dry cloth to clean the interior of the heater and it's components.

6. For safety, this heater is equipped with manual reset high limit switches, an air-proving switch, and a redundant gas control valve. Never operate the heater with any safety device that has been bypassed. Do not operate this heater unless all of these features are fully functioning.
7. Do not direct the heater toward any propane gas supply container or gas hose within 20 ft. (6m) of the heaters hot air discharge.
8. Do not block air intakes or discharge outlets of the heater. Doing so may cause improper combustion or damage to heater components leading to property damage.
9. The hose assembly shall be visually inspected on a daily basis after heater relocation and when the heater is in use. If it is evident there is excessive abrasion or wear, or if the hose is cut, it must be replaced prior to the heater being put into operation. The hose assembly shall be protected from building materials, and contact with hot surfaces both during use and while in storage. The replacement hose assembly shall be that specified by the manufacturer. See parts list.
10. Check for gas leaks and proper function upon heater installation, when relocating, and after servicing. Refer to leak check instructions within installation section of this manual.
11. This heater should be inspected for proper operation by a qualified service person before each use and at least annually.
12. Always turn off the gas supply to the heater if the heater is not going to be used in the heating of the work space.
13. If gas flow is interrupted and flame goes out, do not relight the heater until you are that all gas that may have accumulated has cleared away. In any event, do not relight the heater for at least 5 minutes.
14. Minimum propane gas cylinder size to be used:
170,000 btuh heaters: (1) 100 lb./45 kg or (2) 40 lb./18 kg. : 80,000 btuh heaters: 40 lb./18 kg
Multiple cylinder installations require a manifold to ensure continuous supply of gas. The system must be arranged to provide vapor withdrawal from the operating cylinder.
15. When the heater is to be stored indoors, the connection between the propane gas supply cylinder(s) and the heater must be disconnected and the cylinder(s) removed from the heater and stored in accordance with the Standard for the Storage and Handling of Liquefied Petroleum Gases, ANSI/NFPA 58 or Standard CSA B149.1 Natural Gas and Propane Installation Code as appropriate.
16. Propane gas supply containers have left handed threads. Use the manual hand wheel supplied with the regulator to make a connection of the regulator's P.O.L. fitting into the cylinders' gas supply valve.
17. Use pipe joint compound that is resistant to propane and natural gas.

General Installation Instructions



WARNING

Burn Hazard

Can cause property damage, severe injury or death.

1. To avoid dangerous accumulation of fuel gas, turn off gas supply at the appliance service valve before starting installation, and perform gas leak test after completion of installation.
2. Do not force the gas control knob. Use only your hand to turn the gas control knob. Never use any tools. If the knob will not operate by hand, the control should be replaced by a qualified service technician. Force or attempted repair may result in fire or explosion.

1. Read all safety precautions and follow L.B. White recommendations when installing this heater. If during the installation or relocating of heater, you suspect that a part is damaged or defective, call a qualified service agency for repair or replacement.
2. The heating equipment must be properly positioned before use on a flat, stable, and horizontal surface. Ensure the heater is level. (Use a level, check lengthwise & crosswise). Observe and obey all minimum safe distances of the heater to the nearest combustible materials. Safe distances are given on the heater dataplate and on page 4 of this manual.
3. L.P Gas Installation Requirements
 - All LP. gas containers must be placed at least 5 feet/1.52 meters from the nearest tent wall structure.
 - Ensure all L.P. gas containers are secured and protected from all people, vehicular traffic and contact.
 - L.P. gas containers must be located on a flat, level, and stable surface.
 - L.P. gas cylinders (a.k.a. 100 lb/45 kg. cylinders/tanks) must be secured from tip-over.

Contact your local authorities, L.P. gas dealers, or fire marshalls for specifics dealing with installation in your area

4. This heater may be installed either indoors or outdoors and is approved for use with or without ductwork. For outdoor installations, additional accessories are needed to properly provide heated air to the inside. These accessories are as follows:

Unit Diffuser:

This accessory provides the necessary clearance to combustible materials and also spreads the heated air inside the tent. Local codes may require a 3.04 m separation between the tent and the heater. In this case the unit mounted diffuser shall not be used.

Unit Diffuser Part Numbers:

80,000 btu/h heaters: 26349

170,000 btu/h heaters: 26351

Duct Kit, 12 in./0.3 m. diameter x 12 ft/3.65 m. length:

This accessory provides for locating the heater 10 ft./3,04 meters away from the tent as required by some local codes.

Duct Kit Part Numbers: Gray 26346

White 26347 Clear 26348

End Diffuser:

This accessory is used with the 12 in./3 m. diameter x 12 ft./3.65 m. duct. It is placed under the tent edge and provides for spreading of the heated air inside the tent.

End Diffuser Part Number: 26350

DO NOT USE ANY OTHER DUCT-WORK, DUCTING, FIELD FABRICATED DUCTS, TARPS, STOVE PIPE, or any other means of making the connection between the heater and the inside of the tent.

5. When using the unit diffuser or end diffuser air distribution accessories, ensure the tent material is laid within the accessory's channel, and the tent material is firmly anchored to hold the tent material securely within the channel. See pages 16 and 17 for specifics when using these air distribution accessories.
6. The heater's gas pressure regulator (with pressure relief valve) must be protected from adverse weather conditions (rain, ice, snow) as well as from building materials (tar, concrete, plaster, etc.) which can affect safe operation and could result in property damage or injury.
7. Insure that all accessories that ship within the heater have been removed from inside the heater and installed.

8. Check all connections for gas leaks using approved gas leak detectors. Gas leak testing is performed as follows:

 WARNING

Fire and Explosion Hazard

- Do not use open flame (matches, torches, candles, etc.) in checking for gas leaks.
- Use only approved leak detectors.
- Failure to follow this warning can lead to fires or explosions.
- Fires or explosions can lead to property damage, personal injury or loss of life.

- Check all pipe connections, hose connections, fittings and adapters upstream of the gas control with approved gas leak detectors.
- In the event a gas leak is detected, check the components involved for cleanliness and proper application of pipe compound before further tightening.
- Tighten the gas connections as necessary to stop the leak.
- After all connections are checked and any leaks are stopped, turn on the main burner.
- Stand clear while the main burner ignites to prevent injury caused from hidden leaks that could cause flashback.
- With the main burner in operation, check all connections, hose connections, fittings and joints as well as the gas control valve inlet and outlet connections with approved gas leak detectors.
- If a leak is detected, check the components involved for cleanliness in the thread areas and proper application of pipe compound before further tightening.
- Tighten the gas connection as necessary to stop the leak.
- If necessary, replace the parts or components involved if the leak cannot be stopped.
- Ensure all gas leaks have been identified and repaired before proceeding.

9. A qualified service agency must check for proper operating gas pressure upon installation of the heater.

10. Light according to instructions on heater or within owner's manual.
11. The heater must have the proper gas regulator for the application. Use only the L.B. White regulator originally supplied with the heater. This regulator includes a POL fitting incorporating an excess flow valve. The excess flow valve is a safety device which protects against discharge from the propane gas supply container if the regulator is broken off. If the POL fitting is ever replaced, it needs to be replaced with an L.B. White POL fitting. Failure to do so can result in fires, explosions, loss of property, injury or death.
12. A regulator must be connected to the gas supply so that the pressure to the inlet of the gas control valve is regulated within the range specified on the dataplate at all times. Contact your gas supplier or the L.B. White Co., if you have any questions.
13. This heater is configured for use for propane gas vapor withdrawal only. Do not use the heater in an propane gas liquid withdrawal system or application. If you are in doubt, contact the L.B. White Co., Inc.
14. The heater must be installed so as not to interfere with or obstruct normal exits, emergency exits, doors and walkways.
15. Railing, fencing or suitable substitute materials must be used to keep the heating equipment from any people using and visiting the structure.
16. The unit shall be located so that rain, ice, or snow drainage from the structure does not affect equipment operation. If the unit is mounted outside, it must be mounted above any pooled or standing water. If the unit is to be located on the ground, a surrounding trench is recommended to drain any rain, ice or snow away from the unit.
17. The ground and surrounding terrain must be cleared of any combustible vegetation and other combustible materials when the heater is mounted outside.
18. Eventually, like all electrical/mechanical devices, the thermostat can fail. Thermostat failure may result in an underheating condition. The thermostat should be tested to

make sure it turns the heater on and off within a temperature differential of $\pm 3^{\circ}\text{F}$ ($\pm 1.5^{\circ}\text{C}$).

19. Take time to understand how to operate and maintain the heater by using this Owner's Manual. Make sure you know how to shut off the gas supply to the building and also to the individual heater. Contact your fuel gas supplier if you have any questions.
20. Any defects found in performing any of the service or maintenance procedures must be eliminated and defective parts replaced immediately. The heater must be retested by properly qualified service personnel before placing the heater back into use.

Propane Gas Supply Sizing

The vaporization of propane is affected by several factors: the surface area of the container, the liquid level of propane, temperature surrounding the container, and the relative humidity. All of these factors are specific to a site. Therefore, a degree of experience and judgement is required to select the proper propane supply.

Although experience is the best guide, the following recommendations can be used as a starting point. The table is based on experience in northern climates where cold weather and high humidity are prevalent in the winter. If more or less favorable conditions prevail at a specific site, adjustments can be made on the basis of experience.

Recommended Propane Gas Supply - Cylinders Required Per Heater

Average Temp ° F/°C	50/10	40/4.4	30/-1.1	20/-6.7	10-12.2	0/-17.8	-10/-23
40 lb./18 kg CS080/TS080	1	1	1	1	2	2	2
100 lb./45 kg CS170/TS170	1	1	1	2	2	2	3

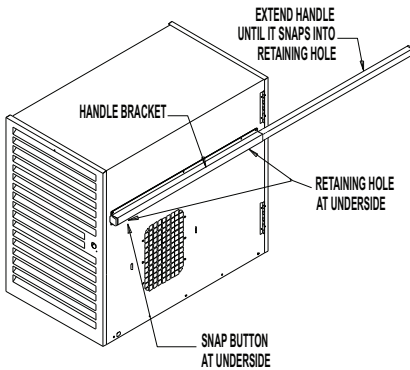
* Cylinders must be manifolded together to allow simultaneous vapor withdrawal from all cylinders.

Sliding Handle (Premier 170)

The Premier 170 is equipped with sliding handles for convenient "wheel-barrow" style mobility.

- Depress the snap-button on the underside of the sliding handle storage bracket.
- Fully extend both handles until the snap button locks into place.
- For storage, depress the snap button and push the handles to fully retracted position.

FIG. 1



Hose Hanger, Regulator Storage Bracket & Thermostat Storage Bracket Assembly

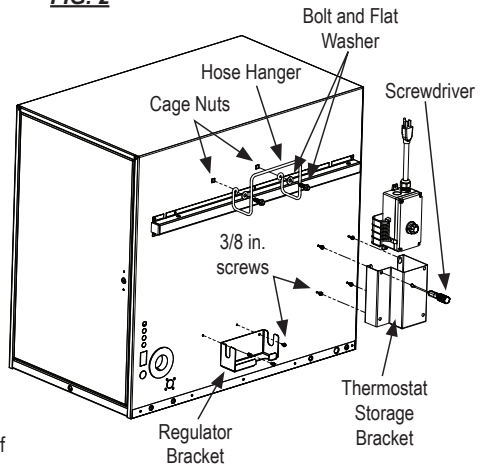
1. Hose Hanger Assembly (all models)
 - a. Align wire hose hanger to cage nuts on back of heater.
 - b. Mount the hanger using the 1/4-20 x 3/4 in. bolts and 1/4 in. flat washers. Tighten securely. See Fig. 2.
2. Thermostat Storage Bracket Assembly (all models)
 - a. Thread four 3/8 in. hex head screws into the four holes at lower corner on back of heater, at louvered door end. DO NOT TIGHTEN. See Fig. 2, Premier 170 shown.

- b. Slide the four keyholes of the thermostat bracket mounting flanges over the four screws.
- c. After pushing the bracket down to hold into position, insert a 1/4 in. nut driver or standard screwdriver through the bracket's holes and tighten the screws securely. Store the thermostat when not in use.

3. Regulator Storage Bracket Assembly (Premier 170) BRACKET

- a. Align regulator storage bracket to the two 1/8 in. diameter holes on heater's lower case back.
- b. Mount the storage bracket to the case using the two 3/8 in. hex head screws at this point. Tighten securely.

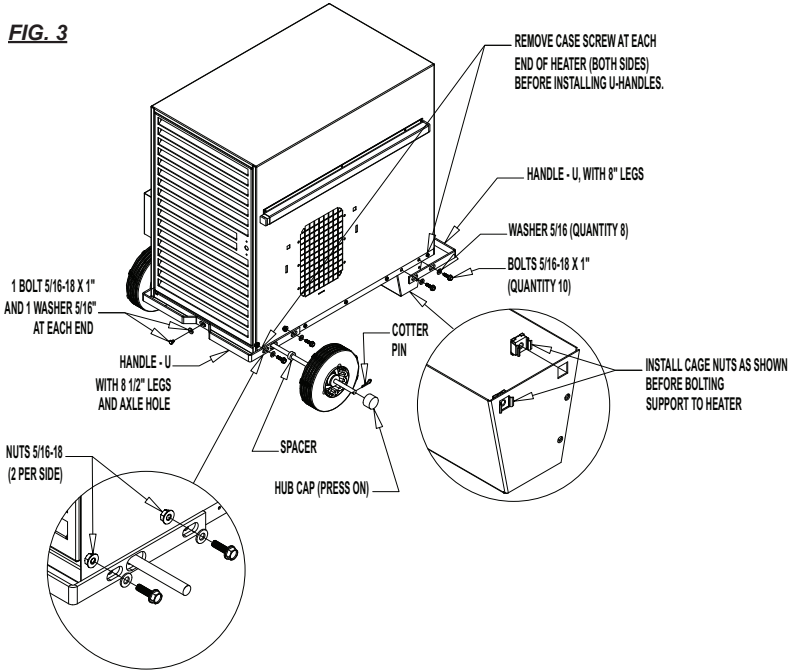
FIG. 2



Wheel, Leg & Lifting Handle Assembly (Premier 170)

See Fig. 3 for assembly of components. Ensure all hardware is tightened securely.

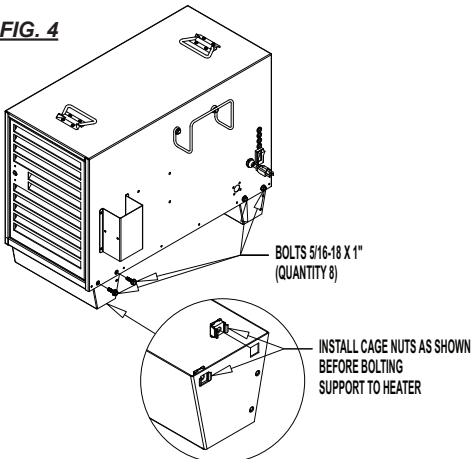
FIG. 3



Leg Assembly (Premier 80)

Assemble the legs to the heater as shown. Tighten all hardware securely.

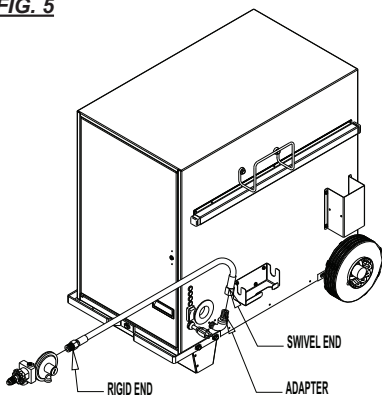
FIG. 4



Hose and Regulator Assembly

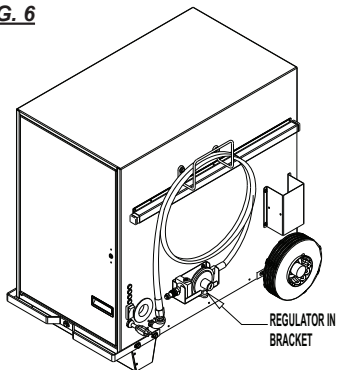
1. Connect rigid end of hose to regulator outlet.
Connect other end to hose adapter at heater.
Tighten securely. See Fig 5.

FIG. 5



2. The hose may be coiled up and hung on the hose hanger as shown in Fig. 6.
3. For Premier 170 heaters, store the regulator in the storage bracket (Fig. 6) when the regulator is not in use.

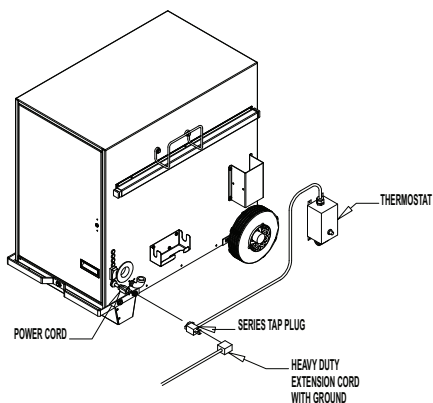
FIG. 6



Thermostat Assembly (All models - kit part number is 09454)

1. Connect male plug on heater into female side of FIG. 7 series tap plug on thermostat.
See Fig. 7.
2. Plug male side of series tap plug into grounded, heavy-duty, electrical extension cord. Plug extension cord into approved electrical outlet.

FIG. 7

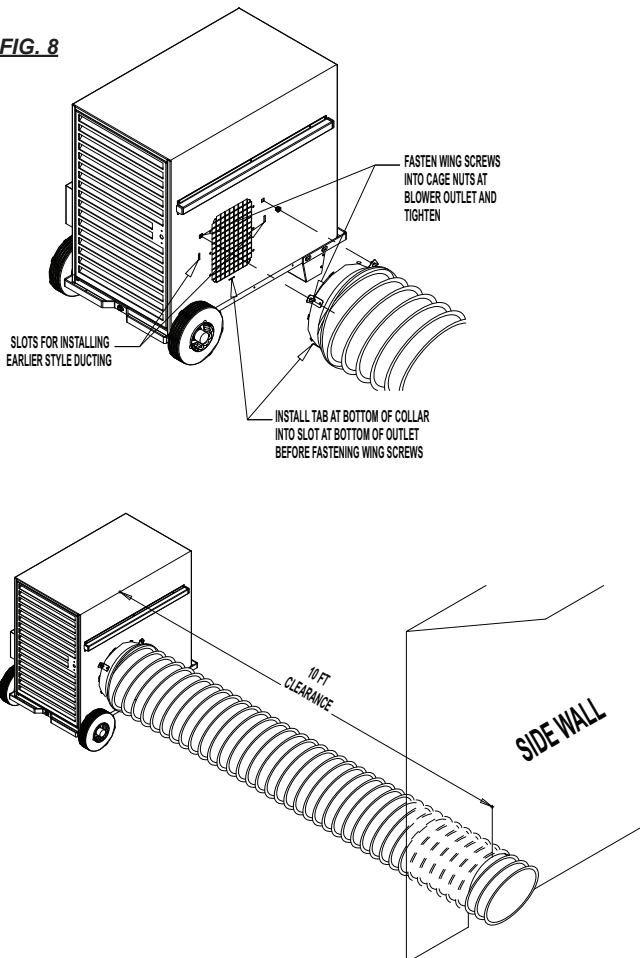


Duct Kit Assembly

Accessory 26346 - Gray & 26347 - White (Not included)

1. See Fig. 8 for installation of duct. Hand tighten the screws snugly. (Note: Slots are also provided at the sides of heater's air discharge to accommodate earlier style duct adapters with tab mounting configuration.)
2. Extend duct kit to 12 ft./3.65 m. length.
FIG. 8
3. Position duct as shown. Eliminate any kinks in duct.

FIG. 8

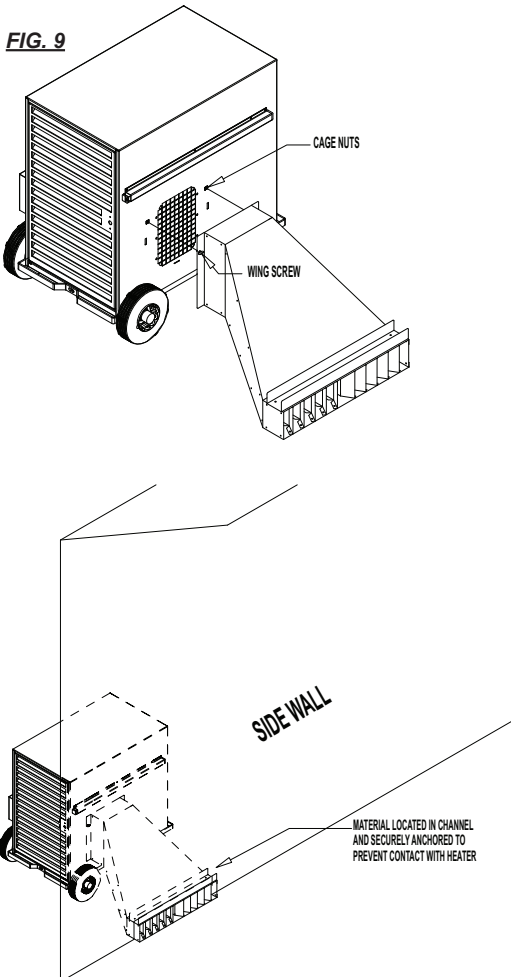


Unit Diffuser

Accessory 26349 (Premier 80) & 26351 (Premier 170)
(Not included)

1. See Fig. 9 for installation of unit diffuser.
Hand tighten FIG. 9 the screws snugly. (Note: Slots are provided to accommodate earlier style unit diffusers with tab mounting.)
2. Position the diffuser under the tent wall as shown. Lay the tent material within the channel of the diffuser. Ensure the material is securely anchored within the channel to prevent contact with the heater. See below for typical installation.

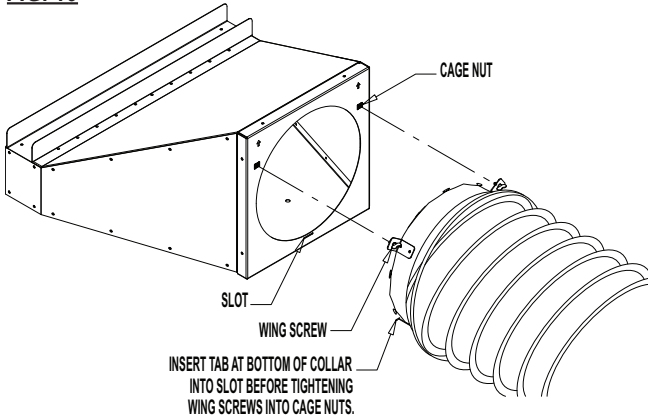
FIG. 9



End Diffuser Accessory 26350 (Not included)

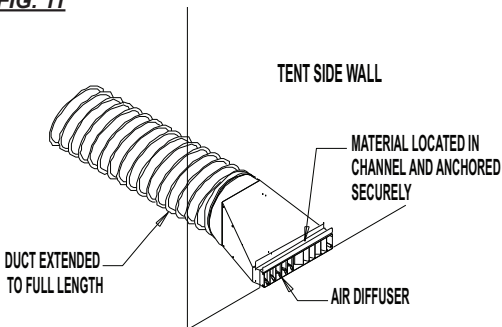
1. Wrap the duct clamp around duct and collar. Saddle of clamp lays over duct coil. Connect clamp ends together and tighten securely. See Fig. 10.

FIG. 10



2. Position the diffuser under the tent wall as shown. Lay the tent material within the channel of the diffuser. Ensure the material is securely anchored within the channel. See Fig. 11.

FIG. 11



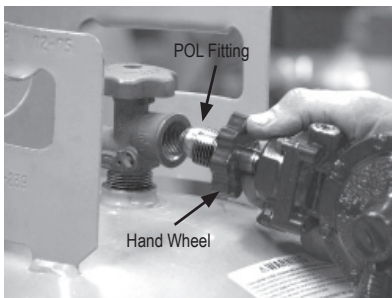
Connecting the Regulator to the Gas Supply

- Only use the L.B. White regulator supplied with the heater.
- Use pipe joint compound that is resistant to propane and natural gas at all threaded connections
- The heater must be regulated at all times for proper operation.
- Leak check all regulator connections after connecting to the gas supply.

Standard Premier Propane Gas Heaters (Models TS080/170)

1. Remove the cap from the POL fitting on the regulator. (Do not discard the cap)
2. Insert the POL stem into the cylinder valve. Push the spring loaded hand wheel up against the threaded nut. Turning counter clockwise, thread the POL nut into into the container valve using the hand wheel. Firmly tighten. See Fig. 12.

FIG. 12



3. Slowly open the cylinder valve. This will prevent lock-up of the excess flow valve built within POL stem.
4. When storing or transporting the heater, use the protective cap to ensure the POL fitting is protected from damage and water entry.

Standard Premier Natural Gas Heaters (Models TS080/170)

- Use the regulator shipped with the natural gas heater if the supply pressure to the heater is above the maximum inlet pressure of 13.5 In.W.C./3.36 kPA, as stated on the heater's data plate and in this owner's manual.
- The natural gas regulator supplied with the heater requires a minimum 2 PSIG inlet pressure.
- Connect the natural gas regulator (part # 09795) to the natural gas supply line, using the proper connections.

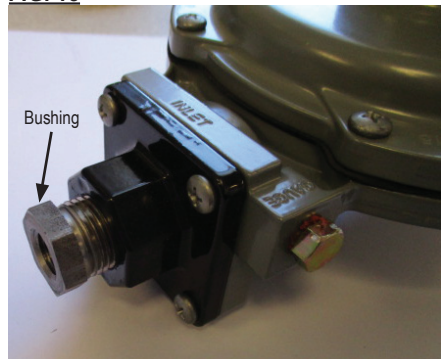
Dual Fuel Premier Heaters (Models CS080/CS170)

- The regulator provided with dual fuel heaters is suitable for both propane or natural gas
- Only use the L.B. White regulator supplied with the heater.
- Use pipe joint compound that is resistant to propane and natural gas at all threaded connections
- The heater must be regulated at all times for proper operation.
- Leak check all regulator connections after connecting to the gas supply.

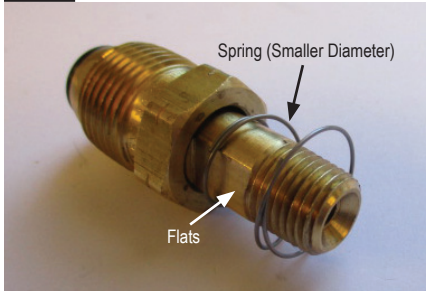
When using propane gas as the fuel:

1. Thread the bushing into the regulator inlet. Tighten securely. See Fig. 13.

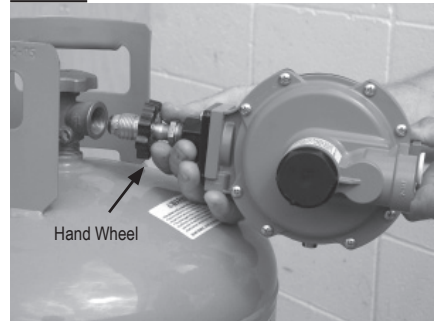
FIG. 13



2. Remove the plastic cap from the POL fitting. (POL fitting is located in hardware bag. Do not discard the cap)
3. Slide the spring over the POL stem. Smaller diameter end of spring is toward brass nut of POL. See Fig. 14. Slide the open side of the hand wheel over the POL stem. Thread the assembly into the 1/4 in. inlet of the bushing installed in the regulator. Tighten securely using a wrench at the flats of the POL stem See Figs. 14 and 15.

FIG. 14**FIG. 15**

4. Insert the POL stem into the cylinder valve. Push the spring loaded hand wheel up against the threaded nut. Turning counter clockwise, thread the POL nut into the container valve using the hand wheel. Firmly tighten. See Fig. 16.

FIG. 16

5. Slowly open the cylinder valve. This will prevent lock-up of the excess flow valve built within POL stem.
6. When storing or transporting the heater, use the protective cap to ensure the POL fitting is protected from damage and water entry.

When using natural gas as the fuel:

- The regulator supplied with the dual fuel heater is required for use with natural gas if the natural gas supply pressure to the heater is above the maximum inlet pressure of 13.5 in.W.C./3.36 kPA, as stated on the heater's data plate and in this owner's manual.
- The regulator requires a minimum natural gas supply pressure of 2 PSIG.
- Remove the POL fitting assembly with hand-wheel from the regulator inlet.
- Connect the regulator to the natural gas supply line using the proper connections.

Start-Up Instructions

1. Connect the electrical cord to an approved electrical outlet.

A selector switch located on the back of the heater allows operation in either heating or ventilation (no heat) modes. See Fig. 17.

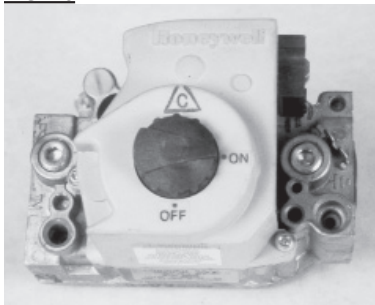
FIG. 17




A. Heat Mode Operation

- a. Open all manual fuel supply valves. Check for gas leaks using an approved leak detector. The gas control valve in the heater has a manual shut-off feature incorporated into the valve assembly. Ensure the indicator on the valve is positioned to ON. See Fig 18.

FIG. 18



- b. Push the selector switch to heat.  See. Fig. 17.


- c. Set the thermostat above room temperature
 - The fan motor will start
 - Igniter will spark
 - Ignition occurs

- d. The thermostat cycles the heater on and off based on set point.

(It is normal for air to be trapped in the gas hose on new installations. The heater may attempt more than one trial for ignition before air is finally purged from line and ignition takes place.)

When the switch is set to heat, four status lights (see Fig.17) will be activated in sequence as specific circuits are checked by the ignition control. If the heater does not light, and a status light is off, refer to the troubleshooting label on the inside of the heater's burner end access door or the troubleshooting of the manual.

B. Vent Mode Operation

- Push the selector switch to off, **O**, then to vent 
- Only the fan motor will operate. The igniter will not spark, nor will ignition occur.

The ventilation feature is used when air circulation is required. The heater will not cycle on its thermostat setting.

C. Off O

1. Position the switch to midpoint O.

2. **Do not exceed input rating stamped on nameplate or manufacturer's recommended burner orifice pressure for size orifice(s) used. Make certain that the primary air supply to main burner is open and free of dust, dirt and debris for complete, proper combustion.**

Shut-Down Instructions

For normal shut-down, set the thermostat below room temperature. When servicing or performing maintenance, follow steps 1 - 5.

1. Close the fuel supply valve.
2. Allow the heater to burn off any fuel gas remaining in the gas supply line.
3. Set the thermostat to "Off" or "No Heat".
4. Position selector switch to O (off).
5. Disconnect the heater from its gas and electrical supplies.

Gas Selector Valve Dual Fuel (DF) Heaters Only

1. This feature allows the heater to operate on either propane or natural gas without changing out the burner orifice. The gas selector valve is located between the gas control valve and the burner. Gas selection is made by sliding the locking sleeve (if provided) up and repositioning the valve's handle. **THIS IS NOT A MANUAL GAS SHUT OFF VALVE.**
2. Refer to Figs. 19 and 20. The valve handle must be properly positioned for the specific gas being used (Premier 170 DF shown. Same handle positions for Premier 80 DF).

FIG. 19

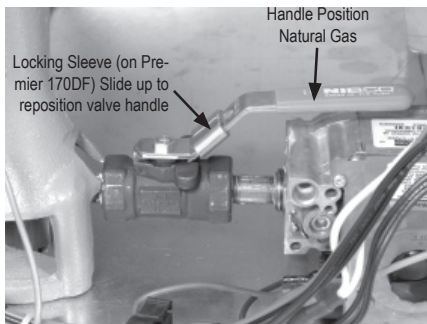


FIG. 20

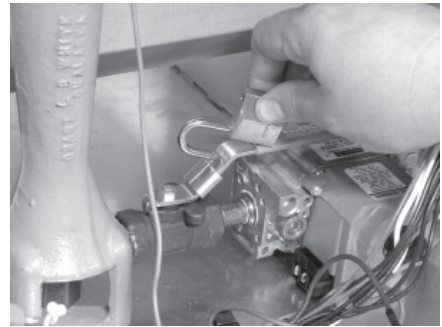


3. The handle must be fully set at 90 degrees to gas flow (propane gas) or parallel to gas flow (natural gas) for proper operation. Also refer to the decal located on the heater's base, adjacent to the selector valve.

Do not operate the heater with the selector valve handle set between either position, otherwise improper operation will occur.

4. Premier 170 DF: The valve's handle can be locked to prevent improper positioning. Use the hole provided. See Fig. 21.

FIG. 21



Cleaning Instructions

WARNING

Fire, Burn, and Explosion Hazard

- This heater contains electrical and mechanical components in the gas management, safety and airflow systems.
- Such components may become inoperative or fail due to dust, dirt, wear, aging, or the corrosive atmosphere of an animal confinement building.
- Periodic cleaning and inspection as well as proper maintenance are essential to avoid serious injury or property damage.

1. Before cleaning, shut off all gas supply valves and disconnect the electrical supply.
2. The heater should have dirt or dust removed periodically:
 - a. Before each use give the heater a general cleaning using compressed air or a soft brush or dry rag on its case and internal components. At this time, dust off the motor case to prevent the motor from overheating.
 - b. At least once a year, give the heater a thorough cleaning. At this time, remove the fan and motor assembly and brush or blow off the fan blade assembly. Additionally, make sure the burner air inlet venturi ports and the casting are free of dust accumulation.

WARNING

Do not use a pressure washer, water, or liquid cleaning solution on any gas controls. Use of a pressure washer, water, or liquid cleaning solution on the control components can cause severe personal injury or property damage due to water and/or liquids:

- In electrical components, and wires causing electrical shock or equipment failure.
- On gas control valves causing corrosion which can result in gas leaks and fire or explosion from the leak.

Clean all components of the heater with pressurized air, a dry brush, or a dry cloth.

Maintenance Instructions

BEFORE EACH USE:

- Check the area surrounding the heater to ensure it is clear and free of combustible materials, gasoline, and other flammable vapors and liquids.
- Have your gas supplier check all gas connections for leaks or restrictions in gas lines.
- Inspect the regulator vent to make sure the regulator vent is not blocked. Debris, insects, insect nests, snow, or ice on a regulator can block vents and cause excess pressure at the heater.
- Check all wiring, associated terminals, and electrical components within the heater for corrosion, frayed or cut insulation, tight connections, etc. Repair or replace as necessary.
- Check the hose assembly after heater installation, relocation, and when the heater is in use. If it is evident there is excessive abrasion or wear, or if the hose is cut, it must be replaced prior to the heater being put back into operation
- Review all heater markings (i.e. wiring diagram, warnings, start-up, shut-down, troubleshooting, etc.) at the time of maintenance for legibility. Make sure none are cut, torn, or otherwise damaged. Any damaged markings must be replaced immediately by contacting the L.B. White Co., Inc. Data plate, startup and shut-down instructions and warnings are available at no cost.

ANNUALLY:

- Clean and check the igniter for cracks. Replace if necessary.
- Regulators can wear out and function improperly. Have your gas supplier check the date codes on all regulators installed and check delivery pressures to the heater to make sure that the regulator is reliable.
- Test both manual reset high limit heat switches to ensure proper operation. (See Testing instructions for same in this owner's manual.)

Service Instructions

! WARNING Burn Hazard

- Heater surfaces are hot for a period of time after the heater has been shut down.
- Allow the heater to cool before performing service, maintenance, or cleaning.
- Failure to follow this warning will result in burns causing injury.

! WARNING Fire and Explosion Hazard

- Do not disassemble or attempt to repair any heater components or gas train components such as gas valves, or gas hoses.
- All component parts must be replaced if defects are found.
- Failure to follow this warning will result in fire or explosions, causing property damage, injury, or death.

1. Close the fuel supply valve to the heater and disconnect the electrical supply before servicing unless necessary for your service procedure.

2. Clean the heater's orifice with compressed air or a soft, dry rag. Do not use files, drills, broaches, etc. to clean the orifice hole. Doing so will enlarge the hole, causing combustion or ignition problems. Replace the orifice if it cannot be cleaned properly.

3. The high limit switch can be tested by:

- Disconnecting the leads at the component, and jumpering the leads together.:
- Reconnect the electrical supply and open fuel supply valves.
- If the heater lights, the component is defective and must be replaced.
- Do not leave the jumper on or operate the heater if the part is defective. Replace the part immediately.
- An alternate method for checking the components is to perform a continuity check.

4. The air proving switch must not be jumpered. If jumpered, the ignition control will not allow heater operation. Test the air proving switch for continuity. If defective, replace the switch.

5. Open the respective case panel for access to burner or fan related components. Open the control box for access to the ignition controller, and transformer.

6. Disconnect the appropriate electrical leads when replacing components.

7. For reassembly, reverse the respective service procedure. Ensure gas connections are tightened securely and leak checked.

8. After servicing, start the heater to ensure proper operation.

Motor & Fan Assembly

1. Open louvered access panel opposite the burner end of heater. Disconnect motor leads.

2. Remove all screws securing the motor mounting plate to the housing.

3. Pull the fan and motor assembly from the housing.

4. Loosen set screws on fan wheel.

5. Pull the fan wheel from motor shaft.

6. Remove the four nuts securing motor to mounting plate.

FIG. 22

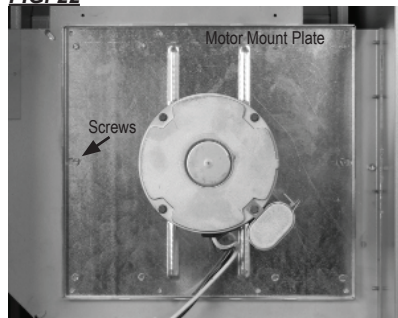
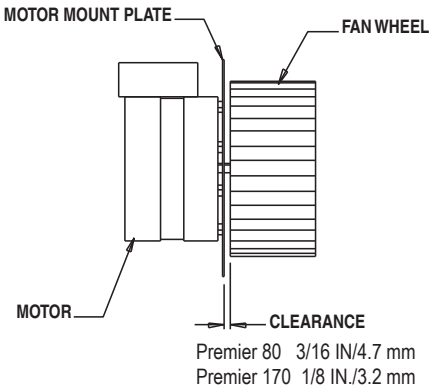


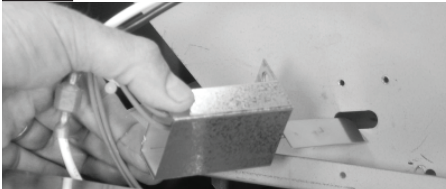
FIG. 23

Air Proving Switch

The air proving switch is located on the fan housing at the motor end of the heater. It must work properly to allow an ignition cycle. If the air proving switch contacts are closed before the ignition control starts the fan motor, or do not close on a call for heat after the fan motor starts, ignition will not occur. See Fig. 24.

To service:

- Remove the two (2) sheet metal screws holding the switch with bracket to blower housing.
- Remove the assembly by turning the switch so the paddle on the switch arm can be pulled through the oblong hole on side of fan housing.

FIG. 24

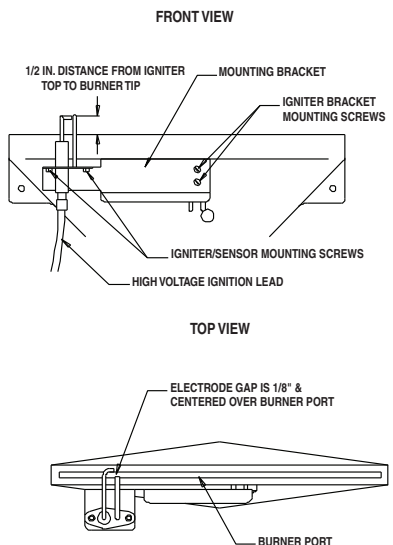
Igniter and Flame Sensor Assembly

The igniter is of local sense design, meaning it also serves to sense burner flame.

1. See Fig. 25 or 26, depending on heater model, for location of igniter/sensor assembly.
 2. Remove the two screws securing the mounting bracket to the burner. Remove igniter assembly.
 3. Disconnect high voltage cable from igniter assembly.
 4. Remove the two screws that secure the igniter sensor to the mounting bracket.
- The igniter and ground rod should be cleaned to maintain proper ignition.
 - Use steel wool or emery cloth.
 - Rub briskly to remove buildup of dust, dirt, and oxide.
 - Check the igniter's ceramic base for cracks.
 - Replace the igniter if cracks are found.

FIG. 25

Same specifications for all versions - Premier 170 shown



Manual Reset High Limit Switches

⚠️ WARNING Fire Hazard

- Do not operate the heater with the high limit switch bypassed.
- Operating the heater bypassed high limit switch may lead to overheating, possibly resulting in a fire, with subsequent damage to the heater or property damage.

This heater has two limit switches: one inside the solid door end on the heat chamber, the other inside the louvered door end mounted on the fan housing side panel. Both are easily identified by a red reset button in the center of the switch. See Figs. 26 and 27, Premier 170 shown.

FIG. 26

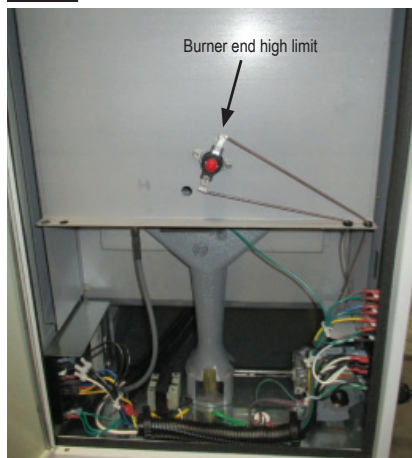
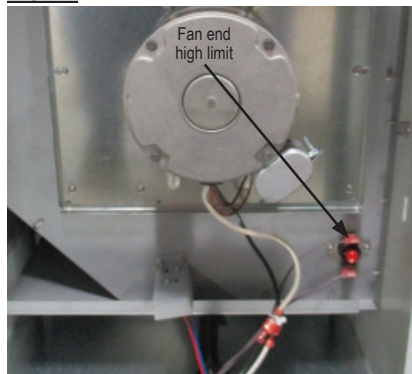


FIG. 27



Function

If the heater overheats, one or both of the limit switches can trip, opening the electrical circuit to the gas control valve. Overheating is generally caused by duct restrictions, low voltage, blocking the heater's air inlet, or excessive gas pressure.

Resetting

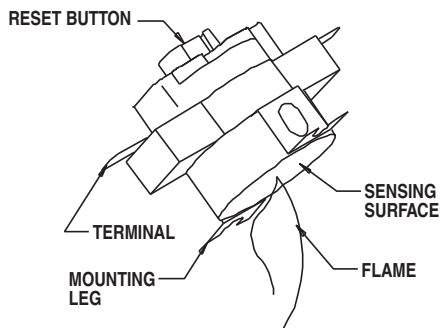
If either trips, remove the red cap and firmly press the reset button in the middle of the switch. Then, shut the heater off and turn it back on. Determine the cause of the limit tripping.

Testing

To ensure proper function of these critical safety components, both switches should be tested annually, typically when the heater is given a thorough cleaning.

1. Remove either high limit switch.
2. Holding the switch by one of its mounting legs, apply a small, soft flame only to the sensing portion on the back of the switch. See Fig. 28. Be careful not to melt the plastic housing of the switch when conducting this test.
3. Within a minute, you should hear a click coming from the switch, indicating the contacts of the switch have opened.
4. Allow the switch cool down for about a minute. Remove the red cap and firmly press the reset button on the switch.
5. Check for electrical continuity across the switch terminals to make sure the contacts have closed. Install the red cap.

FIG. 28



Burner Orifice & Gas Control Valve

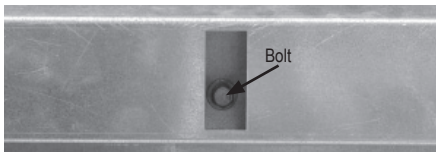
1. Remove the gas hose from heater
2. Remove the elbow and all screws at inlet of gas control valve. See Fig. 29.

FIG. 29



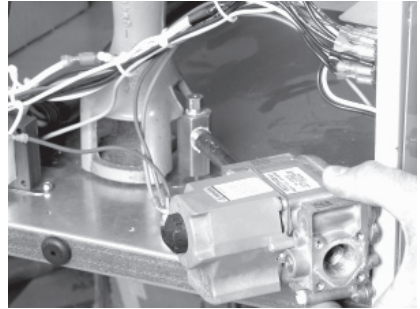
3. Open the solid door at the gas inlet end of the heater.
4. Remove the burner retaining bolt at the underside of the heaters base. For Premier 170 heaters, the bolt is accessible through an opening in the heater's support leg. Use a ratchet with extension and 9/16 in. socket. See Fig. 30.

FIG. 30



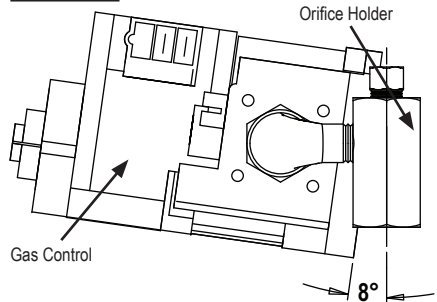
5. Lift and pivot the gas control assembly to expose the burner orifice. See Fig. 32. Replace components as needed.

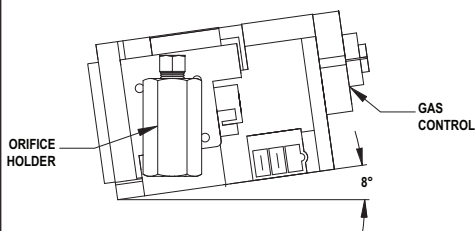
FIG. 32



6. When assembling the control valve to manifold, the valve must be offset 8 degrees from the orifice holder to ensure the control valve aligns to its mounting holes. See Fig. 33.

FIG. 33
Premier 80



Premier 170**Ignition control**

The control sends and receives voltages to operate or verify operation of components. Refer to the following and Fig. 34 to understand the ignition control's terminal designators if doing voltage checks on the control.

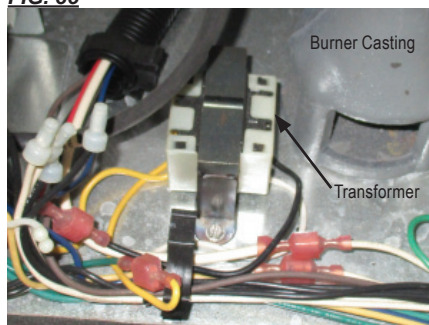
- L1:** Main power supply voltage to control.
- IND:** Main power supply voltage from control to motor.
- LED:** Not used
- MV:** 24 VAC from ignition control through both high limit switches to gas control valve.
- PS2:** 24 VAC return from air proving switch back to ignition control.
- PS1:** 24 VAC from ignition control to air proving switch.
- W:** 24 VAC from transformer to ignition control. (without this voltage from the transformer, the ignition control will not function.)
- FS:** No terminal.
- R:** No terminal.
- X:** No terminal
- C/COM:** Earth ground for transformer and ignition control.

Also refer to "Operation Sequence" within this manual as needed to understand operation of the ignition control during a call for heat.

FIG. 34**Transformer**

The transformer reduces main power supply voltage to 24 VAC for operation of the the ignition control. Without 24 VAC from the transformer, the ignition control will not function, nor will the heater operate.

See Fig. 35 for location of the transformer, Premier 170 shown.

FIG. 35

Gas Pressure Checks

WARNING

- Do not disassemble the gas control valve.
- Do not attempt to replace any components of the gas control valve.
- The gas control valve must be replaced if any physical damage occurs to the control valve assembly.
- Failure to follow this warning will result in fire or explosions, leading to injury or death to humans, and property damage.

- The following explains a typical procedure to be followed in checking gas pressures.
- The gas pressures will vary depending upon fuel type.
- Consult the dataplate on the heater or page 4 in this manual for specific pressures to be used in conjunction with this procedure.
- Gas pressure measured at the inlet to the gas valve is Inlet Pressure and gas pressure measured at the outlet of the gas valve is Burner Manifold Pressure.

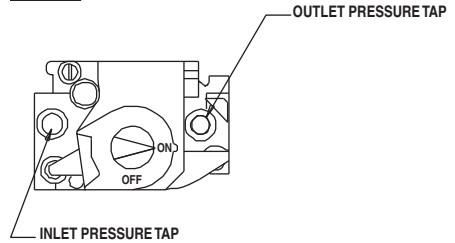
A. Preparation

1. Obtain two pressure gauges capable of reading up to 35 in. W.C.
2. Disconnect the heater from the electrical supply and close the fuel supply valve to the heater inlet.
3. Open the burner access panel.
4. Brush or blow off any dust and dirt on or in the vicinity of the gas control valve.

B. Gauge Installation

1. Locate the inlet and outlet pressure taps, see Fig. 36. Remove the pressure tap plug using a 3/16 in. allen key.

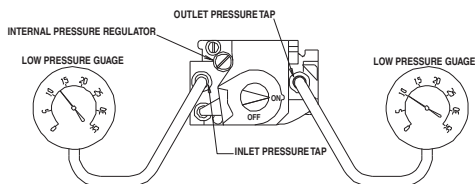
FIG. 36



2. Securely connect a pressure gauge to each pressure tap.
3. Open the fuel supply valves to the heater and reconnect the heater electrical supply.
4. Start the heater

C. Reading Pressures

1. With the heater operating, the pressure gauges should read the pressures specified on the dataplate .
2. Do the readings at the inlet and outlet pressure gauges agree with that specified on the dataplate? If so, then no further checking or adjustment is required. Proceed to section D.
3. If the inlet pressures do not agree with that specified on the dataplate, then the regulator controlling gas pressure to the heater requires adjustment.
4. If the inlet pressures are correct and the burner manifold pressure does not agree with that specified on the dataplate, then the gas control valve's internal pressure regulator requires adjustment. See Fig. 37 for regulator location.

FIG. 37

EXAMPLE SHOWS PRESSURE FOR L.P. GAS
ALWAYS REFER TO PRESSURE ON DATAPLATE

D. Completion

1. Once the proper inlet and burner manifold pressures have been confirmed and/or properly set, close the fuel supply valve to the heater and allow the heater to burn off any gas remaining in the gas supply line.
2. Disconnect the heater from its electrical supply.
3. Remove the gauges and connecting hoses.
4. Install pressure tap plugs and tighten securely. Check for gas leaks.

Troubleshooting Guide

READ THIS ENTIRE SECTION BEFORE BEGINNING TO TROUBLESHOOT PROBLEMS.



WARNING

- This heater can start at any time.
- Troubleshooting this system may require operating the unit with line voltage present and gas on. Use extreme caution when working on the heater.
- Failure to follow this warning may result in property damage, personal injury or death.

The following troubleshooting guide provides systematic procedures for isolating equipment problems. This guide is intended for use by a QUALIFIED GAS HEATER SERVICE PERSON. **DO NOT ATTEMPT TO SERVICE THESE HEATERS UNLESS YOU HAVE BEEN PROPERLY TRAINED.**

TEST EQUIPMENT REQUIRED

The following pieces of test equipment will be required to troubleshoot this system with minimal time and effort.

- Digital Multimeter - for measuring AC and DC voltage and resistance.
- Low Pressure Gauge - for checking inlet and outlet pressures at the gas control valve against dataplate rating.
- Visually inspect equipment for apparent damage.
- Check all wiring for loose connections and worn insulation.

Refer to the system operation sequence in this section to gain an understanding as to how the heater operates during a call for heat. Understanding the sequence of operation is important as it relates to problem solving.

Four green lights are located next to the selector switch. Each light will be activated in sequence as that circuit within the heater is verified by the ignition control. If the circuit is not verified, that respective light will not be activated. The most common heating mode problems are identified

by a green light being OFF if a specific fault occurs. However, two other problems may also occur. See the following.

Identify the specific problem and then refer to the appropriate troubleshooting flow chart.

Heating Mode Problems Page

Power status light not on	33
Transformer status light not on	33
Air proving status light not on	34
Gas control status light not on	35
All lights are on, fan motor runs, burner does not light.....	36
All lights are on, EXCEPT gas valve light. Fan motor does not run, burner does not light. ..	37
Heater lights but does not stay lit	37

Ventilation Mode Problem Page

Motor Does Not Run.....	37
-------------------------	----

Components should be replaced only after each step has been completed and replacement is suggested in the flow chart. Refer to the Servicing sections as necessary to obtain information on disassembly and replacement procedures of the component once the problem is identified by the flow chart.

DIRECT IGNITION OPERATION SEQUENCE:

- The thermostat calls for heat.
 - Power light activated indicating heater is receiving its main power supply.
- Line voltage is sent to selector switch.
- Selector switch sends line voltage to the transformer and to ignition control.
- Transformer reduces line voltage to 24 volts which is sent to ignition control.
 - Transformer light is activated indicating that ignition control is receiving 24 volts from transformer.
- Ignition control module performs self safety check.
- Fan motor starts.
- Ignition control module sends 24 volts to air proving switch.
 - Internal components are tested.
 - Air proving circuit is checked and proven.
- Ignition control module begins ignition trial sequence.

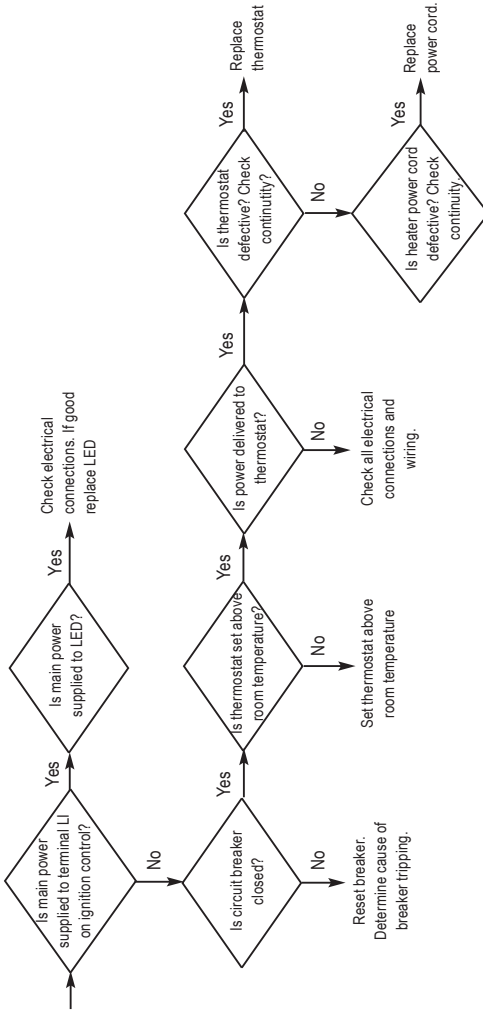
- Air proving switch closes and 24 volts are returned to the ignition control module.
 - Air proving switch light is activated indicating that the air proving circuit is operating properly.
- Ignition control module sends high voltage to the igniter electrode.
 - Igniter sparks.
- Ignition control module sends 24 volts to the gas control valve through the high limit switches.
 - Gas valve light is activated indicating that gas control valve is receiving 24 volts.
 - Gas control valve opens. - Ignition occurs.
- Igniter continues to spark until flame proving occurs.
 - Ignition spark is cut off.
 - Gas valve stays open.
- Room warms to desired temperature.
 - Thermostat is satisfied.
 - Heater shuts down.
- Process starts again on a call for heat.

IGNITION FAILURE SEQUENCE:

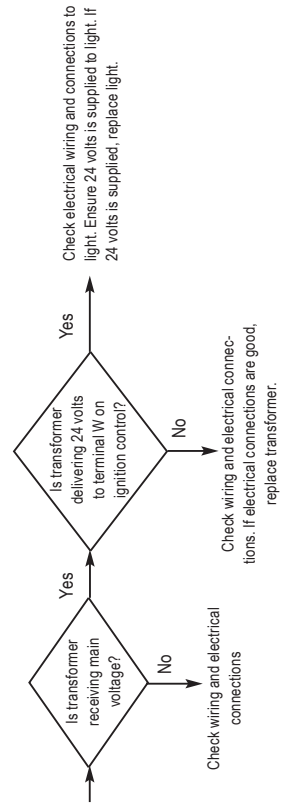
- There are three ignition trials. Each trial takes 10 seconds.
- If burner flame is not maintained at the end of the third trial, the module goes into safety lockout
 - Gas valve closes.
 - Ignition spark shuts off.
 - Fan motor stops.
- **To retry for ignition, the systems must be reset:**
 - Turn the thermostat down and then up to call for heat or unplug heater and plug it back in or
 - Position selector switch to off and then back to on.

HEATING MODE: All lights are ON → Normal operation

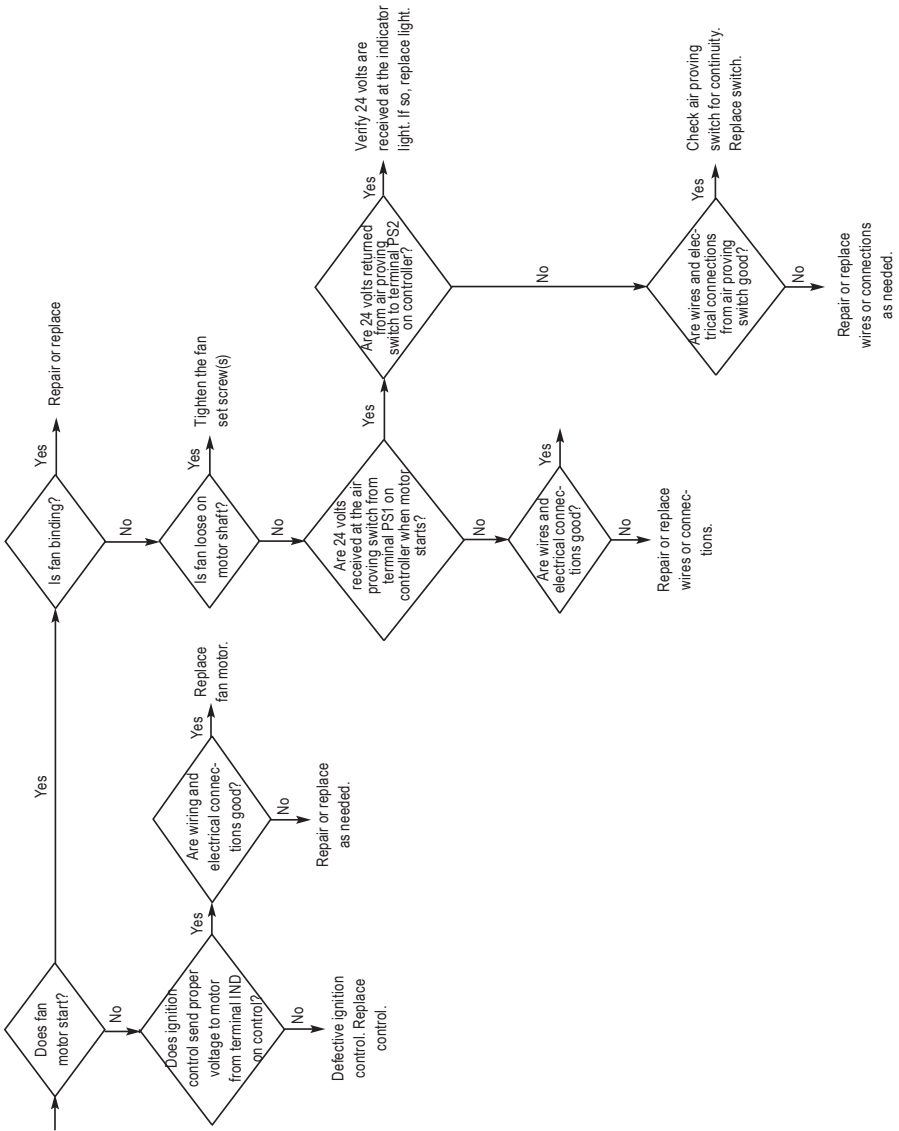
Power status
light not on

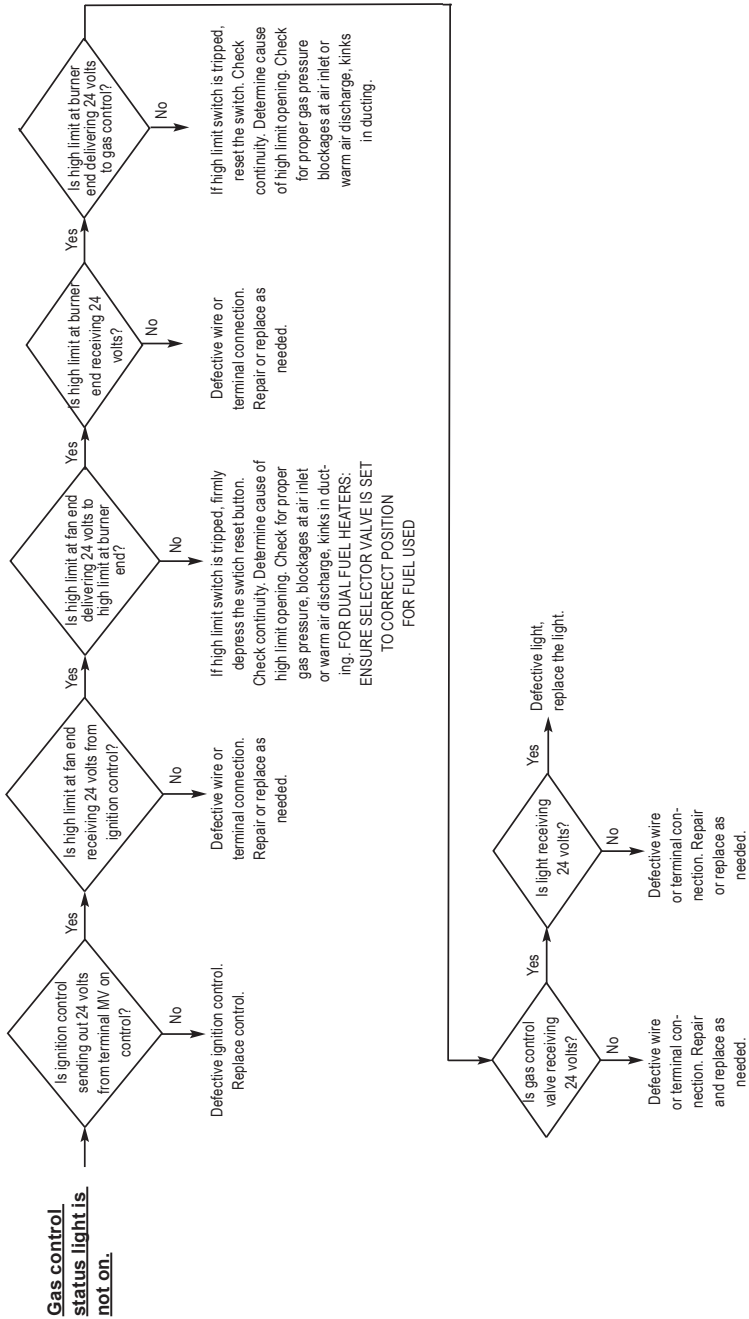


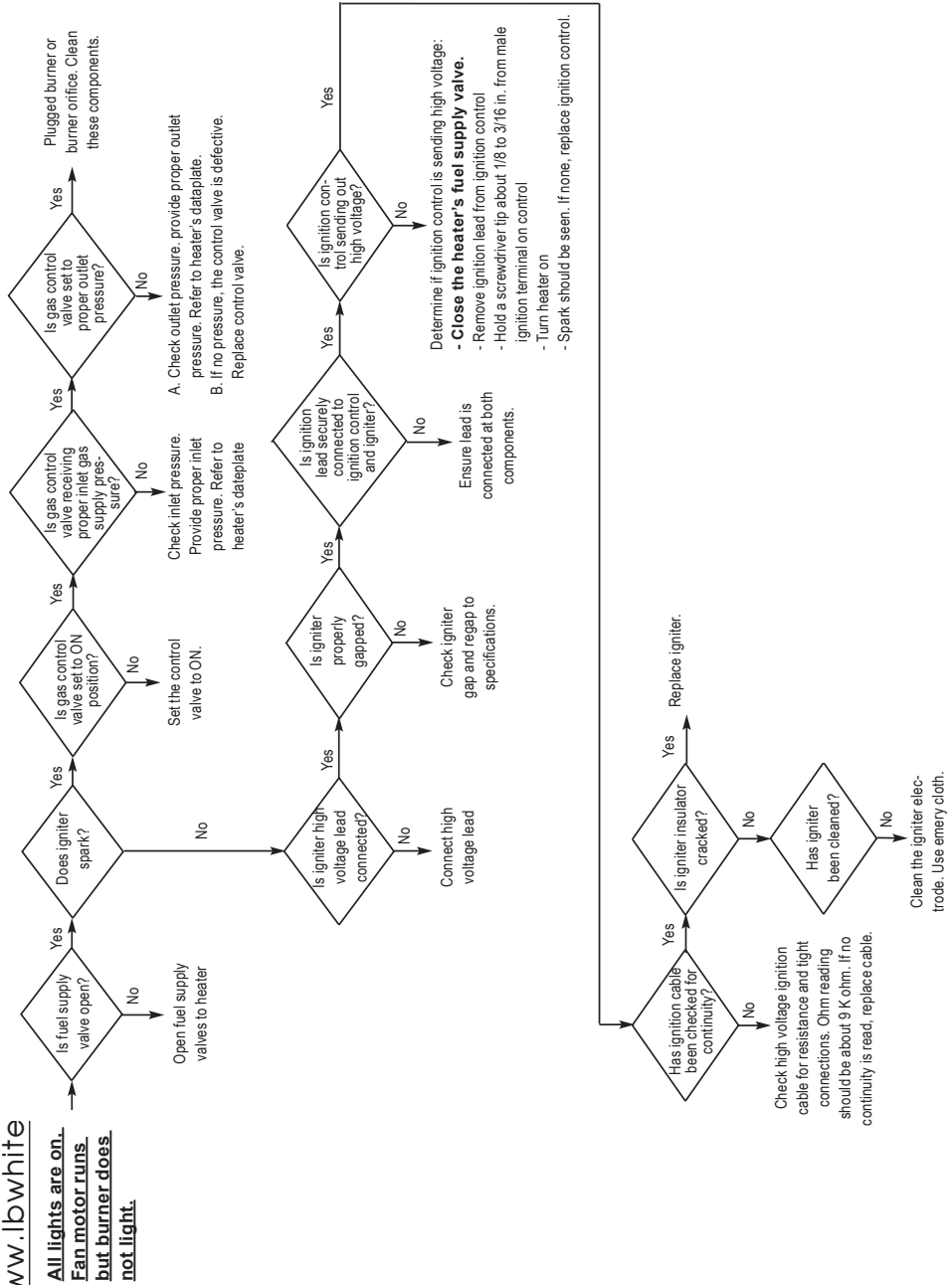
Transformer
status light is
not on.



Air proving status light is not on.







All lights are on, EXCEPT gas valve light. Fan motor does not run, burner does not light.

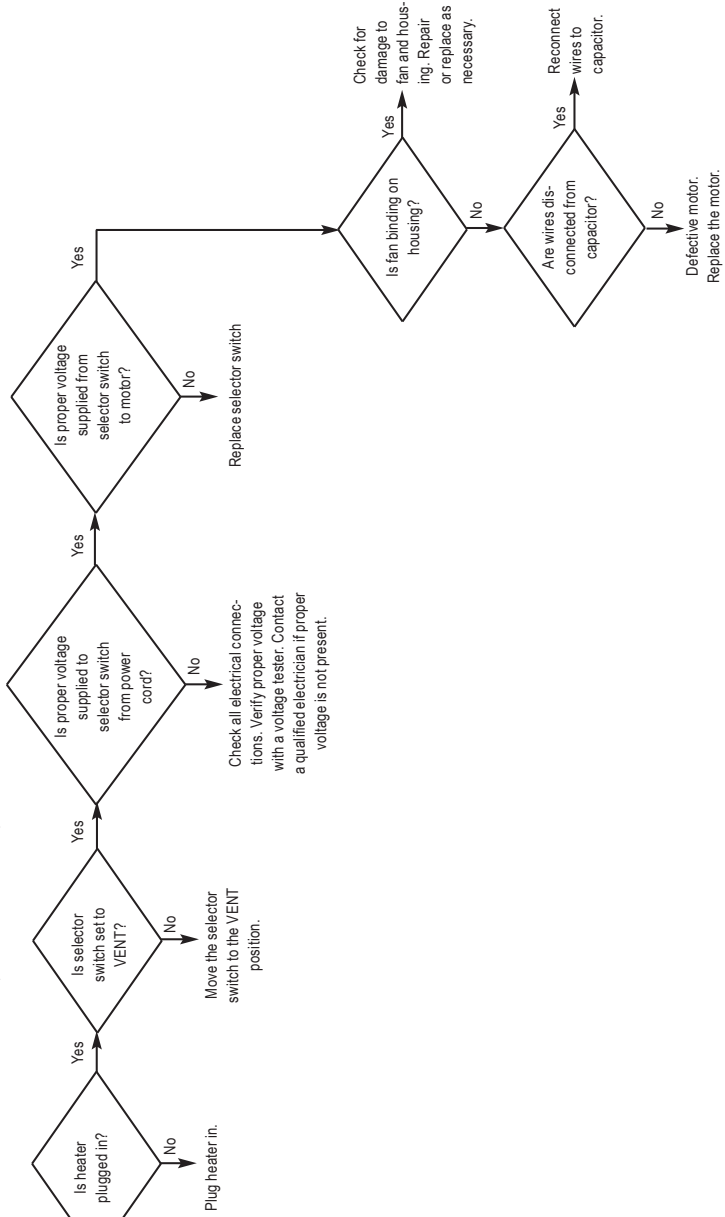
↑
Air proving switch has failed in the closed position or air proving switch arm is binding against fan housing side panel. If arm is not binding, replace the switch.

All lights are on. Burner lights but does not stay lit.

↑
Caused by poor flame sense or flame sense related problems. Check for cracked or dirty flame sensor, improperly positioned sensor, or poor power supply grounds. (The heater requires a grounded electrical supply for continued operation.)

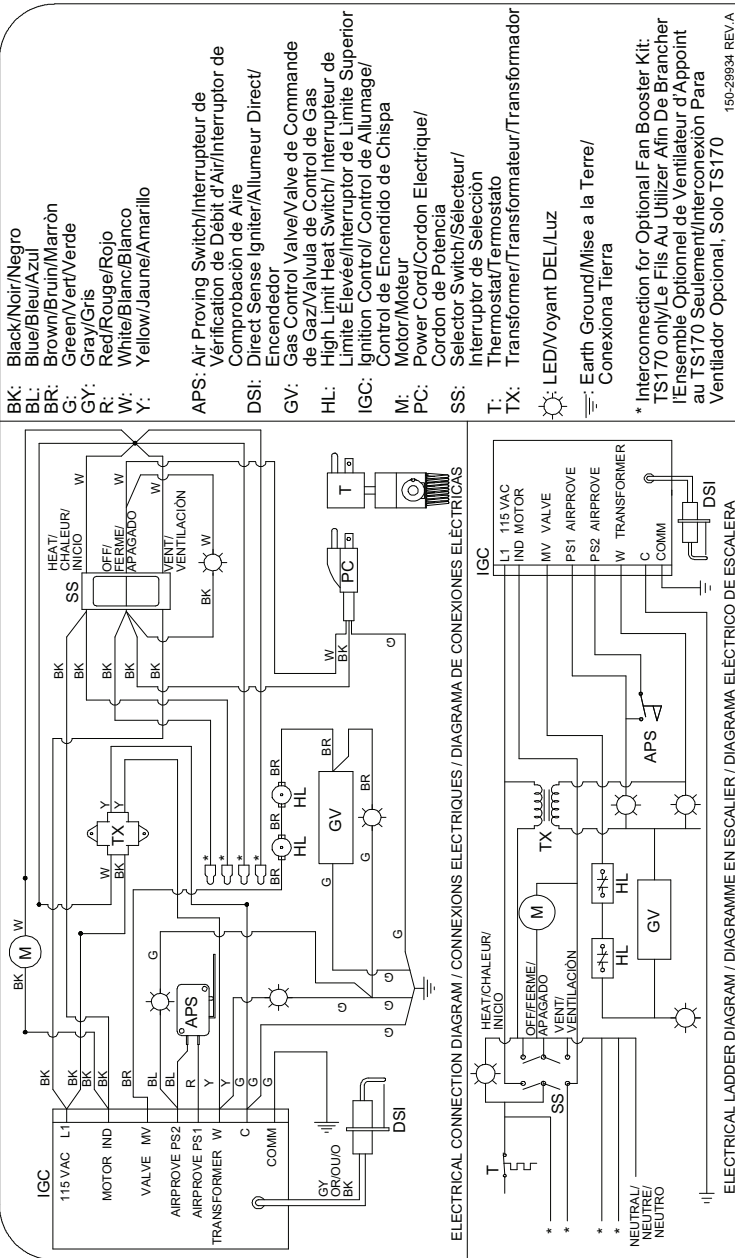
VENTILATION MODE:

**Problem
Motor does
not run.**



CAUTION

Always refer to the heater's electrical connection diagram when servicing to avoid wiring errors and heater malfunction. Check for proper operation after servicing.



IF ANY OF THE ORIGINAL WIRING AS SUPPLIED WITH THE HEATER MUST BE REPLACED, IT MUST BE REPLACED WITH WIRING MATERIAL HAVING A TEMPERATURE RATING OF AT LEAST 302F (150°C). SI SE DEBE CAMBIAR CUALQUIER CABLE ORIGINAL PROPORCIONADO CON EL APARATO, SE DEBE CAMBIAR POR UN CABLE CON UNA CLASIFICACION DE TEMPERATURA DE AL MENOS 302F (150°C).

Heater Component Function

Air Proving Switch

Safety device used to insure that the proper air flow is being achieved before the gas valve is opened.

Burner

Cast iron component used to channel gas and provide an area at which the fuel may ignite.

Burner Orifice

Brass metering device used to feed gas to burner at a specific rate.

Direct Spark Ignition Control Module

Electronic printed circuit board which sends and receives voltages to various controls in an automatic ignition system. An important safety feature of the control board is that it will shut down the entire heater, thereby stopping the flow of fuel gas if burner flame goes out.

Fan Housing

Chamber used for delivering air for efficient air movement.

Fan Wheel

Component used in conjunction with the motor and fan housing to pull the hot air from heater and blow it into room for heating (also known as a squirrel cage).

Gas Control Valve

Electrical device consisting of a low pressure regulator and electrical solenoids used for the control of gas flow to the burner assembly. A feature of the control valve is a built-in gas shut off which may be used to isolate the heater from its gas supply when servicing.

Gas Hose

Flexible connector used to convey gas from supply line in building to heater.

Gas Selector Valve

Allows easy gas conversion depending on gas being supplied at job site. Eliminates the need for changeout of the burner orifice. (Available on DF heaters only.)

Heat Chamber

Metal fire box within the appliance that provides an area where burner flame mixes with combustion air, thereby providing heat.

High Limit Switch

Safety device wired into the control system which is used to break an electrical circuit to the gas control valve in event of overheat situation. (All Premier heaters have two limit switches.)

Igniter

Ignition device used on automatic direct spark ignition control systems. Ignites gas by spark.

Motor

Electric device used to force preheated air through the heater and to circulate heat within a certain area. Converts electrical energy into mechanical energy.

Regulator

Mechanical device used in gas distribution systems to reduce a higher inlet pressure to a preset lower pressure. The regulator is responsible to supply a steady outlet pressure to the heater(s) despite changes in inlet pressure, heater demand and weather conditions.

Selector Switch

Electrical device which is used to allow the end user to use the heater in either a heating or ventilation application.

Status Light

A green light emitting diode (L.E.D.) wired into the electrical circuit. Provides an easily recognizable indication of heater operation.

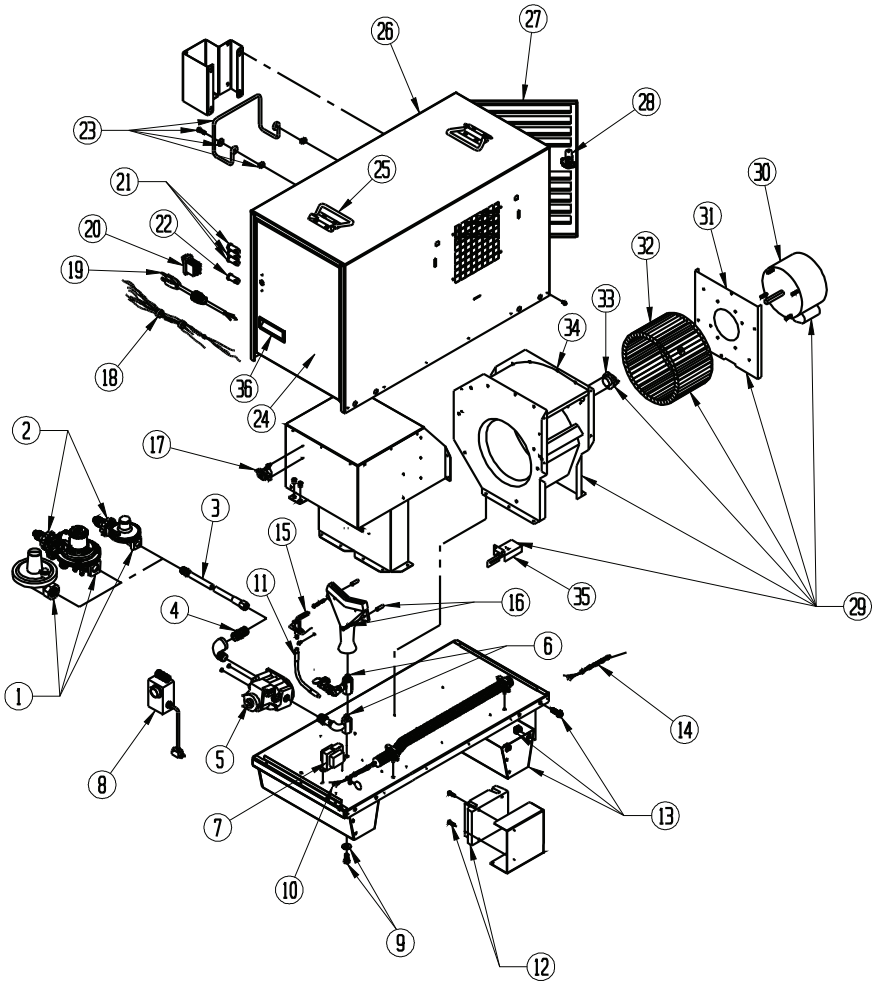
Thermostat

Electrical device used as an automatic "on/off" switch which will respond to changes in temperature in a certain area. Can be wired so contacts in the thermostat open or close on temperature increase or decrease.

Transformer

Electrical control used to accept line power supply primary voltage and reduce it to lower secondary voltage to operate certain control systems.

Service Parts Identification Schematic

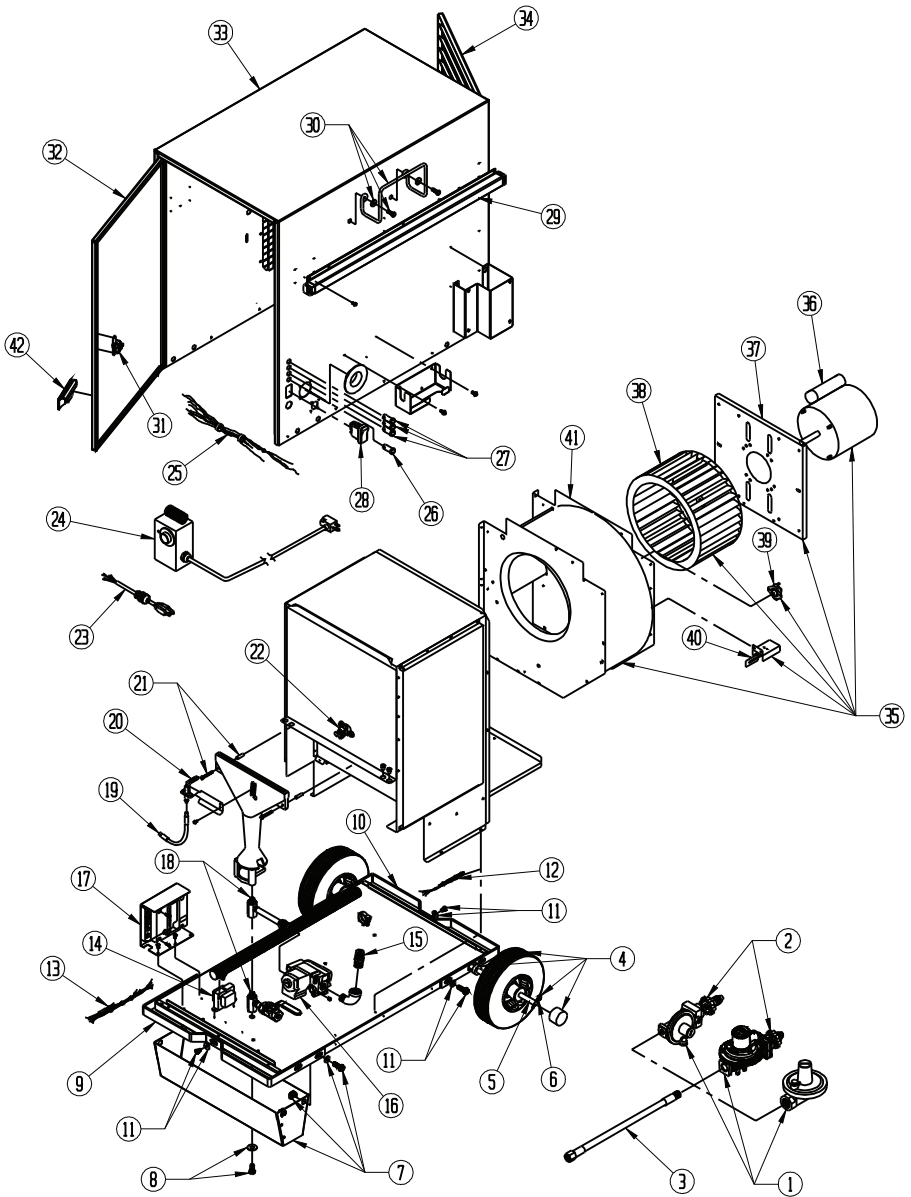


Item	Description	Part Number	
1	Regulator	Propane Gas	26377
		Natural Gas	21999
		Dual Fuel	573610
2	Handwheel w/ Spring	Propane Gas / Dual Fuel	26395
3	Universal Hose Kit, 15 ft./4.57 m. Hose w/ Adapters		24600
4	Adapter, Hose 1/2 NPT x 5/8 - 18		06655

Parts List - Premier 80, LP, NG, and DF

5	Valve, Gas Control	Propane Gas / Dual Fuel	522076
		Natural Gas	522078
6	Orifice, Burner	Propane Gas	571625
		Natural Gas	571626
		Dual Fuel	573611
7	Transformer		26412
8	Thermostat Kit w/ 20 ft./6.10 m.Cord		09454
9	Washer, Bolt		25866
10	Harness, Wire, Burner End		26383
11	Wire, Igniter		25840
12	Control Ignition		25865
13	Support Leg		26378
14	Harness, Wire, Motor End		26382
15	Igniter		571662
16	Burner Mounting Hardware		570211
17	Switch, High Limit, Burner End (275°F)		503933
18	Harness, Wire, Status Lights		26381
19	Power Cord		26379
20	Switch, Selector		26385
21	Light, Status, 24 Volt		26392
22	Light, Status, 120 Volt		26393
23	Hanger, Hose		571619
24	Door Assembly, Burner End		573453
25	Handle, Case Top		571628
26	Case Assembly		573455
27	Door Assembly, Fan End		573457
28	Latch, Door		26437
29	Fan Housing Assembly with Motor, Fan, High Limit and Air Proving Switches		26384
30	Motor		520292
31	Motor Mount		571686
32	Fan		570304
33	Switch, High Limit, Fan End (250°F)		571671
34	Housing, Fan		571612
35	Switch, Air Proving		26485
36	Handle, Door Pull		26479

Service Parts Identification Schematic



Parts List - Premier 170 LP, NG and DF

Item	Description	Part Number	
1	Regulator	Propane Gas	26419
		Natural Gas	09795
		Dual Fuel	26423
2	Hand Wheel with Spring	Propane Gas / Dual Fuel	26395
3	Universal Hose Kit, 15 ft./4.57m. Hose w/ Adapters		24600
4	Wheel Kit		26418
5	Axle Kit		26415
6	Cotter Pin		26417
7	Leg Bracket Kit		26413
8	Bolt and Washer		25866
9	Handle, Bracket, Burner End		26426
10	Handle, Bracket, Motor End		26427
11	Nut, Bolt & Washer		26443
12	Wire Harness, Motor End		26406
13	Wire Harness, Burner and Gas Control End		26407
14	Transformer		26412
15	Adapter,Hose, 1/2 NPT x 5/8-18	Propane Gas/Dual Fuel	06655
		Natural Gas	25873
16	Valve, Gas Control	Propane Gas	522076
		Natural Gas	522078
		Dual Fuel	25831
17	Ignition Control		25865
18	Orifice	Propane Gas	21573
		Natural Gas	571624
		Dual Fuel	25870
19	Wire, Igniter		25840
20	Igniter		571662
21	Burner Mounting Hardware		570211
22	Switch, High Limit, Burner End (275°F)		503933
23	Cord, Power		26379
24	Thermostat Kit w/ 20 ft/6.10 m. Cord		09454
25	Wire Harness, Status Lights		26408
26	Light,Status, 120 Volt		26393
27	Light,Status, 24 Volt		26392
28	Switch, Heat/Vent, Rocker		26385

29	Handle, Sliding	571760
30	Hanger, Hose	571619
31	Latch, Door	26437
32	Door, Burner End	573458
33	Case Assembly	573460
34	Door, Louvered, Motor End	573462
35	Fan Housing Assembly w/ Motor, Fan, High Limit and Air Proving Switches	26439
36	Motor	520169
37	Mount, Motor	25835
38	Fan	570481
39	Switch, High Limit, Motor End (190°F)	571400
40	Switch, Air Proving	09925
41	Housing, Fan	26440
42	Handle, Door	26479

Notes

Warranty Policy

HEATER

L.B. White Co., Inc. warrants that the component parts of its heater are free from defects in material and workmanship, when properly installed, operated, and maintained in accordance with the Installation and Maintenance Instructions, safety guides and labels contained with each unit. If, within 24 months from the date of purchase by the end user, any component is found to be defective, L.B. White Co., Inc. will at its option, repair or replace the defective part or heater, with a new part or heater, F.O.B., Onalaska, Wisconsin. Registering your product online with L.B.White will automatically qualify a unit and its component parts for warranty consideration. If a product has not been registered with L.B.White, a copy of the bill of sale will be required to establish warranty qualification. If neither is available, the warranty period will be 24 months from date of shipment from L.B. White.

PARTS

L.B. White Co., Inc. warrants that replacement parts purchased from the company and used on the appropriate L. B. White equipment are free from defects both in material and workmanship for 24 months from the date of purchase by the end user. Warranty is automatic if a component is found defective within 24 months of the date code marked on the part. If the defect occurs more than 24 months later than the date code but within 24 months from the date of purchase by the end user, a copy of a bill of sale will be required to establish warranty qualification.

The warranty set forth above is the exclusive warranty provided by L.B. White, and all other warranties, including any implied warranties or merchantability or fitness for a particular purpose, are expressly disclaimed. In the event any implied warranty is not hereby effectively disclaimed due to operation of law,

such implied warranty is limited in duration to the duration of the applicable warranty stated above. The remedies set forth above are the sole and exclusive remedies available hereunder. L.B. White will not be liable for any incidental or consequential damages directly or indirectly related to the sale, handling or use of the equipment, and in any event L.B. White's liability in connection with the equipment, including for claims based on negligence or strict liability, is limited to the purchase price.

Some states do not allow limitations on how long an implied warranty lasts, so the above limitation may not apply to you. Some states do not allow the exclusion or limitation of incidental or consequential damages, so the above limitation or exclusion may not apply to you. This warranty gives you specific legal rights, and you may also have other rights which vary from state to state.

To register your product and ensure full warranty, go to http://www.lbwhite.com/customer_care_center/product-registration/. Please have the serial number(s) and model(s) handy for the products you are registering.

Service

Contact your local L.B. White dealer for replacement parts and service. You may also call the L.B. White Co., Inc. at 1-800-345-7200, for assistance, or email us at customerservice@lbwhite.com.

Be sure that you have your heater model number and configuration number when calling.



WORLD PROVIDER - INNOVATIVE HEATING SOLUTIONS

411 Mason Street, Onalaska, WI 54650

800-345-7200 • 608-783-5691

608-783-6115 (fax)

www.lbwhite.com



Premier Calefactores canalizados

TS080	80 000 Btuh / 23,4 kW
TS170	170 000 Btuh / 49,8 kW
CS080	80 000 Btuh / 23,4 kW
CS170	170 000 Btuh / 49,8 kW

Recuperación de vapor de gas PL o natural
Doble combustible

Para ver este manual en línea, visite www.lbwhite.com

Atención

Este calefactor ha sido probado y evaluado por CSA Group según los requisitos de la norma ANSI Z83.7•CSA 2.14, y está clasificado y aprobado como calefactor para construcciones canalizadas de gas directo y aire forzado, con aplicación para calefacción transitoria de edificios en construcción, bajo modificaciones o reparaciones. A su vez, este calefactor ha sido revisado y aprobado por CSA Group para aplicaciones de calefacción de carpas con ocupación humana temporaria en Estados Unidos y Canadá. SI TIENE PREGUNTAS SOBRE LAS APLICACIONES, CONSULTE A SU AUTORIDAD LOCAL DE SEGURIDAD EN MATERIA DE INCENDIOS, SU PROVEEDOR DE GAS COMBUSTIBLE O L.B. WHITE COMPANY.

www.lbwhite.com



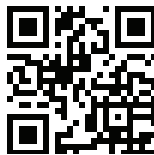
¡Felicitaciones!

Acaba de comprar el mejor calefactor circulante disponible. Su nuevo calefactor L.B. White incorpora los beneficios del más experimentado fabricante de productos de calefacción con tecnología de avanzada.

En L.B. White, le agradecemos la confianza depositada en nuestros productos y serán bien recibidos los comentarios y sugerencias que pueda tener... contáctenos al 1-800-345-7200 o envíenos un correo electrónico a customerservice@lbwhite.com.

CONSULTE LAS
INSTRUCCIONES
DE ARMADO
EN EL INTERIOR

Consulte la información importante sobre elevación en la portada interna.



ESCANEE ESTE CÓDIGO con su teléfono inteligente o visite <http://goo.gl/nvneR> para ver los videos de mantenimiento para calefactores L.B. White*.

* Necesita una aplicación como QR Droid para Android o para iPhone

PROVEEDOR MUNDIAL; SOLUCIONES INNOVADORAS DE CALEFACCIÓN

411 Mason Street, Onalaska, WI 54650 • 800-345-7200 • 608-783-5691 • 608-783-6115 (fax) • www.lbwhite.com

ÍNDICE

Especificaciones del calefactor	4
Información general.....	5
Precauciones de seguridad	6
Instrucciones de instalación	
General.....	9
Tamaño del suministro de gas propano.....	11
Manija deslizable (Premier 170).....	12
Soporte para manguera, soporte de almacenamiento del regulador y soporte de almacenamiento del termostato	12
Conjunto de rueda, pata y manija de elevación (Premier 170)	13
Conjunto de patas (Premier 80)	13
Conjunto de manguera y regulador.....	14
Conexión de termostato	14
Conjunto de conductos.....	15
Conjunto de difusores de la unidad.....	16
Conjunto de difusores de extremo.....	17
Conexión del regulador al suministro de gas	
Calefactores de gas PL y natural Premier 80 y 170 PL	18
Calefactores de doble combustible Premier 80 y 170	18
Instrucciones de puesta en marcha	20
Instrucciones de apagado	21
Válvula selectora de gas (calefactores de doble combustible).....	21
Instrucciones de limpieza	22
Instrucciones de mantenimiento.....	23
Instrucciones de servicio	
General.....	24
Motor y turbina.....	24
Interruptor de comprobación de aire	25
Conjunto de encendedor y sensor de llama	25
Interruptores de restablecimiento manual de límite superior.....	26
Orificio del quemador y válvula de control de gas.....	27
Control de encendido	28
Transformador	28
Verificaciones de la presión de gas.....	29
Información de resolución de problemas.....	31
Conexión eléctrica y diagrama de escalera, TS080/170	38
Función de los componentes del calefactor	39
Identificación de piezas	
Esquema y lista de piezas	
Premier 80 de gas PL, gas natural y doble combustible	41-42
Premier 170 de gas PL, gas natural y doble combustible	43-44
Política de garantía.....	47
Piezas de repuesto y mantenimiento	47



ADVERTENCIA

Los productos estándares se fabrican para funcionar con la máxima eficacia a elevaciones de entre 0 y 2000 pies (0 y 610 m) sobre el nivel del mar.

Si este se hace funcionar a elevaciones mayores, no funcionará correctamente y puede resultar inseguro.

Puede haber disponibles productos que aseguren un funcionamiento adecuado a elevaciones alternativas.

Si necesita un producto para altas elevaciones, no lo especificó al pedirlo o la caja en la que vino esta unidad no tiene una etiqueta adhesiva de designación de altitud alternativa, comuníquese con el servicio técnico.

**ADVERTENCIA GENERAL**

- SI NO SE CONTEMPLAN LAS PRECAUCIONES E INSTRUCCIONES SUMINISTRADAS CON EL CALEFACTOR, ESTE PUEDE OCASIONAR:
 - LA MUERTE
 - QUEMADURAS O LESIONES GRAVES
 - DAÑOS O PÉRDIDAS MATERIALES POR INCENDIO O EXPLOSIÓN
 - ASFIXIA DEBIDO A LA FALTA DE UN SUMINISTRO DE AIRE ADECUADO O ENVENENAMIENTO POR MONÓXIDO DE CARBONO
 - DESCARGAS ELÉCTRICAS
- LEA DETENIDAMENTE ESTE MANUAL DEL USUARIO ANTES DE INSTALAR O USAR ESTE PRODUCTO.
- SOLO AQUELLAS PERSONAS QUE PUEDAN LEER, COMPRENDER Y SEGUIR LAS INSTRUCCIONES DEBEN USAR O SOMETER A SERVICIO ESTE CALEFACTOR.
- GUARDE ESTE MANUAL DEL USUARIO PARA CONSULTARLO Y USARLO EN EL FUTURO.
- LOS MANUALES DEL USUARIO Y LAS ETIQUETAS DE REPUESTO ESTÁN DISPONIBLES SIN COSTO. CONSULTE EL SITIO WEB O CONTÁCTESE CON L.B. WHITE AL 1-800-345-7200.

**ADVERTENCIA**

- SE DEBERÁ PROPORCIONAR UNA PRESIÓN DE SUMINISTRO DE GAS APROPIADA A LA ENTRADA DEL CALEFACTOR.
- CONSULTE LA PLACA DE DATOS PARA OBTENER INFORMACIÓN SOBRE LA PRESIÓN DE SUMINISTRO DE GAS ADECUADA.
- SI LA PRESIÓN DE GAS SUPERA LA PRESIÓN DE ENTRADA MÁXIMA ESPECIFICADA EN LA ENTRADA DEL CALEFACTOR, SE PUEDEN PRODUCIR INCENDIOS O EXPLOSIONES.
- LOS INCENDIOS O LAS EXPLOSIONES PUEDEN CAUSAR LESIONES GRAVES, LA MUERTE O DAÑOS EN LA CONSTRUCCIÓN.
- SI LA PRESIÓN DEL GAS ES INFERIOR A LA PRESIÓN DE ENTRADA MÍNIMA ESPECIFICADA EN LA ENTRADA DEL CALEFACTOR, LA COMBUSTIÓN PUEDE SER INADECUADA.
- LA COMBUSTIÓN INADECUADA PUEDE CAUSAR ASFIXIA O ENVENENAMIENTO POR MONÓXIDO DE CARBONO, Y ASÍ OCASIONAR LESIONES GRAVES O LA MUERTE.

**ADVERTENCIA****Peligro de incendio y explosión**

- NO DEBE USARSE EN VIVIENDAS NI EN VEHÍCULOS RECREATIVOS.
- LA INSTALACIÓN DE ESTE CALEFACTOR EN UNA VIVIENDA O EN UN VEHÍCULO RECREATIVO PUEDE OCASIONAR UN INCENDIO O UNA EXPLOSIÓN.
- LOS INCENDIOS O EXPLOSIONES PUEDEN OCASIONAR DAÑOS MATERIALES O LA MUERTE.

**ADVERTENCIA****PELIGRO DE INCENDIO, QUEMADURAS, INHALACIÓN Y EXPLOSIÓN**

- MANTENGA LOS COMBUSTIBLES SÓLIDOS A UNA DISTANCIA SEGURA DEL CALEFACTOR.
- ENTRE LOS COMBUSTIBLES SÓLIDOS SE INCLUYEN PRODUCTOS DE MADERA, PAPEL O PLÁSTICO, MATERIALES DE CONSTRUCCIÓN Y POLVO.
- NO USE EL CALEFACTOR EN ESPACIOS DONDE HAYA O PUEDA HABER COMBUSTIBLES VOLÁTILES O EN SUSPENSIÓN EN EL AIRE.
- ENTRE LOS COMBUSTIBLES VOLÁTILES O EN SUSPENSIÓN EN EL AIRE SE INCLUYEN LA GASOLINA, LOS SOLVENTES, EL DILUYENTE DE PINTURA, LAS PARTÍCULAS DE POLVO Y LAS SUSTANCIAS QUÍMICAS DESCONOCIDAS.
- SI NO SIGUEN ESTAS INSTRUCCIONES, SE PUEDE PROVOCAR UN INCENDIO O UNA EXPLOSIÓN.
- LOS INCENDIOS O LAS EXPLOSIONES PUEDEN CAUSAR DAÑOS MATERIALES, HERIDAS O LA MUERTE.

PARA SU SEGURIDAD

No almacene ni use gasolina u otros vapores y líquidos inflamables cerca de este o de cualquier otro artefacto.

PARA SU SEGURIDAD

Si siente olor a gas:

1. Abra las ventanas.
2. No toque los interruptores eléctricos.
3. Apague toda llama al descubierto.
4. Llame inmediatamente a su proveedor de gas.

**ADVERTENCIA****RESIDENTES DE CALIFORNIA:**

Cuando está en funcionamiento, este calefactor libera químicos, incluido el monóxido de carbono, los cuales el estado de California considera que causan malformaciones congénitas y otros daños reproductivos.

Para obtener más información, diríjase a www.P65Warnings.ca.gov

Especificaciones

		TS080		CS080DF		TS170		CS170DF	
Tipo de combustible		Propano	Natural	Propano	Natural	Propano	Natural	Propano	Natural
Entrada máxima (Btuh/kW)		80 000/23,4				170 000/49,8			
Presión del colector del quemador (pulgadas de columna de agua/kPa)		10/2,49	4/1	10/2,49		10/2,49	4/1	5,4/1,34	5,5/1,37
Presión de suministro de gas aceptable en la entrada del calefactor para el propósito de ajuste de entrada (pulgadas de columna de agua)	MÁX.	13,5/3,36							
	MÍN.	12/2,99	8/1,99	11/2,74		11/2,74	7/1,74	7/2,74	
Consumo de combustible por hora	Propano (libras/kg)	3,71/1,68				7,88/3,5			
	Gas natural (cu.ft/m ³)	80/2,27				70/4,81			
Características del motor	Rodamiento								
		1/8 HP /93 vatios 1100 r. p. m.				1/3 HP /248 vatios 1100 r. p. m.			
Suministro eléctrico (Voltios/Hz/fase)	120/60/1								
Amperaje	Arranque	5				7,3			
	Funcionamiento continuo	1,5				5			
Dimensiones (pulgadas/cm) Lar x An x Al	29,5 x 13,5 x 20 / 75 x 34 x 51					30,75 x 18,25 x 28,25/78 x 46,3 x 71,7			
Distancias seguras mínimas del calefactor a los materiales combustibles más cercanos (pies/ Metro)	Parte superior	1/0,3							
	Laterales	1/0,3							
	Parte inferior	1/0,3							
	Salida del soplador	6/1,83							
	Suministro de gas	Gas propano; Estados Unidos: 6/1,83, Canadá: 3,05 Gas natural; N/C							
Temperatura ambiente mínima a la que se puede usar el calefactor	-20 °F/-29 °C								

Información general

En este manual del usuario se incluyen los accesorios que se usan comúnmente en este calefactor. Estos accesorios se deben pedir por separado.

Cuando llame para solicitar asistencia técnica, o para obtener cualquier otra información específica, **siempre** tenga disponible el número de modelo, el número de configuración, y el número de serie. Esta información se encuentra en la placa de datos.

Este manual le brindará instrucciones sobre el funcionamiento y el cuidado de su unidad. Pida a su instalador que revise junto a usted este manual para poder comprender perfectamente el calefactor y su funcionamiento.

Póngase en contacto con su distribuidor local de L.B. White o con L.B. White Co., Inc. para obtener ayuda, o bien si tiene preguntas sobre el uso del equipo o sobre su aplicación.

L.B. White Co., Inc. tiene una política de mejoramiento continuo de sus productos. La empresa se reserva el derecho de cambiar especificaciones y diseño sin previo aviso.

Precauciones de seguridad



ADVERTENCIA

Peligro de asfixia

- No use este calefactor para calefactar lugares habitables, garajes, talleres u otros espacios cerrados similares.
- No lo use en áreas sin ventilación.
- El flujo de aire de ventilación y combustión no debe obstruirse.
- Se deberá proporcionar aire de ventilación apropiado para cumplir con los requisitos de aire de combustión del calefactor en uso.
- La falta de una cantidad de aire de ventilación apropiada generará una combustión inadecuada.
- La combustión inadecuada puede resultar en envenenamiento por monóxido de carbono y producir lesiones graves o la muerte.
Entre los síntomas del envenenamiento por monóxido de carbono se pueden incluir dolores de cabeza, mareos y dificultad para respirar.
- Se deberá proporcionar aire de ventilación apropiado para la combustión conforme a las normas OSHA 29 CFR 1926.154, Dispositivos de calefacción temporales, ANSI A10.10, Requisitos de seguridad para dispositivos de calefacción temporales y portátiles, o bien al código de instalación de artefactos de gas natural y propano, CAN/CSA B149.1 según corresponda.

Olor a gas combustible

El gas propano y el gas natural contienen aromatizantes artificiales agregados específicamente para la detección de fugas de gas combustible.

Si se produce una pérdida de gas, debería ser capaz de oler el gas combustible. ESA SERÁ LA SEÑAL PARA ACTUAR DE INMEDIATO.

- No realice acciones que puedan encender el gas combustible. No accione interruptores eléctricos. No tire de cables de corriente ni alargues. No encienda fósforos ni ninguna otra fuente de fuego. No use su teléfono.
- Haga que todos salgan del edificio y que se alejen del área inmediatamente.
- Cierre todas las válvulas de suministro de combustible.
- El gas propano es más pesado que el aire y puede asentarse en áreas bajas. Cuando tenga motivos para sospechar que existe una fuga de gas propano, manténgase alejado de todas las áreas bajas.
- Use el teléfono de un vecino y llame a su proveedor de gas combustible y a su departamento de bomberos. No vuelva a entrar al edificio o al área.
- Permanezca fuera del edificio y alejado del área hasta que los bomberos y su proveedor de gas combustible la declaren segura.
- POR ÚLTIMO, deje que el experto en servicio de artefactos de gas combustible y los bomberos realicen una inspección en busca de gas. Solicite que ventilen el edificio y el área antes de que vuelva a entrar. Técnicos de mantenimiento adecuadamente capacitados deben reparar la fuga, controlar que no haya otras fugas, y volver a encender el calefactor.

El olor se disipa; no se detecta olor

- Algunas personas no tienen un buen olfato. No pueden percibir el olor del químico artificial agregado al gas propano o natural. Debe determinar si es capaz de sentir el aromatizante que se agrega a estos gases combustibles.
- Aprenda a reconocer el olor del gas propano y del gas natural. Los vendedores locales de gas propano y su proveedor local de gas natural (empresa de servicio público) estarán más que contentos de proporcionarle un folleto del tipo "raspe y huele". Úselo para familiarizarse con el olor del gas combustible.
- Fumar puede disminuir su capacidad para oler. Estar en contacto con emanaciones de olor durante un tiempo determinado también podría afectar su sensibilidad a ese olor en particular.
- El aromatizante del gas propano y el gas natural es incoloro y la intensidad de su olor puede dispersarse en algunas circunstancias.
- Si hay una fuga subterránea, el paso del gas a través del suelo puede filtrar el aromatizante.
- La intensidad del olor del gas propano puede diferir en intensidad en diferentes niveles. Dado que el gas propano es más pesado que el aire, puede haber más olor en niveles más bajos.
- Siempre tome en serio la más mínima presencia de olor a gas. Si aún detecta algún tipo de olor a gas, no importa lo poco que sea, trátelo como si fuera una fuga seria. Actúe de inmediato, como se explicó anteriormente.

¡Atención! Puntos críticos que debe recordar.

- El gas propano y el gas natural tienen un olor característico. Aprenda a reconocer estos olores. (Consulte las secciones previas "Olor a gas combustible" y "El olor se disipa").
- Si no cuenta con capacitación adecuada para la reparación y el servicio de calefactores que funcionen con gas propano y natural, no intente encender el calefactor, realizar tareas de mantenimiento o reparación ni aplicar ajustes al sistema de combustible del calefactor de gas propano o natural.
- Aunque no cuente con capacitación para el mantenimiento y la reparación de calefactores radiantes, SIEMPRE debe reconocer el olor del gas propano y el gas natural.
- Una prueba periódica de detección activa alrededor del calefactor o en las juntas de este (es decir, la manguera, las conexiones, etc.) es una buena práctica de seguridad en todas las condiciones. Si huele aunque sea una cantidad muy pequeña de gas, LLAME INMEDIATAMENTE A SU PROVEEDOR DE GAS COMBUSTIBLE. NO DEJE PASAR TIEMPO.

1. No intente instalar, reparar ni arreglar este calefactor o la línea de suministro de gas a menos que se capacite de manera continua con expertos y tenga conocimientos sobre calefactores a gas.

REQUISITOS PARA REALIZAR SERVICIO Y LA INSTALACIÓN:

- a. Para ser un encargado calificado de servicio de calefactores de gas, debe contar con la capacitación pertinente y también tener suficiente experiencia en la resolución de problemas, el reemplazo de piezas defectuosas y la prueba de estos calefactores, a fin de mantener estos artefactos en condiciones de funcionamiento normales y seguras. Debe familiarizarse por completo con cada modelo de calefactor leyendo y haciendo cumplir el contenido de, entre otros, las instrucciones de seguridad, las etiquetas, el manual del usuario que se proveen con cada unidad.
- b. Para ser un encargado calificado de instalaciones de gas, debe tener suficiente capacitación y experiencia en el manejo de todos los aspectos de la instalación, reparación y modificación de líneas de gas, incluidas la selección e instalación del equipo apropiado, y la selección del tamaño adecuado de tubería que se usará. Esto debe realizarse conforme a los códigos locales, estatales y nacionales, además de los requisitos del fabricante.

- c. En el estado de Massachusetts, la instalación de este producto debe estar a cargo de un instalador de gas autorizado en dicho estado.



WARNING INSTRUCCIONES PARA LA PUESTA A TIERRA ELÉCTRICA

Este calentador viene con un enchufe de 3 clavijas (de puesta a tierra) para protegerlo contra el riesgo de descarga eléctrica. Debe enchufarse en un tomacorriente para 3 clavijas adecuadamente puesto a tierra. El no utilizar un tomacorriente debidamente puesto a tierra puede tener como consecuencia una descarga eléctrica o la muerte.

2. Todas las instalaciones o aplicaciones de calefactores de L.B. White Co., Inc. deben cumplir con todos los requisitos de los códigos locales, estatales y nacionales sobre gas PL y natural, electricidad y seguridad. Para determinar estos requisitos, podrá recurrir a un proveedor local de gas, un electricista autorizado local, el departamento de bomberos local y los organismos del gobierno. En ausencia de códigos locales, cumpla con los siguientes:

a. Instalaciones en Estados Unidos:

- NFPA 102; estándar para fijación de ensamblados, carpas y estructuras de membrana.
- ANSI/NFPA 58 (última edición); estándar para el almacenamiento y la manipulación de gases licuados de petróleo o
- ANSI Z223.1/NFPA 54, Código nacional de gas combustible -- ANSI/NFPA 70, Código Eléctrico Nacional.

b. Instalaciones en Canadá:

- Códigos de instalación CAN1-B149.1 o CAN1-B149.2
- CSA C22.1, Parte 1, Código Eléctrico de Canadá. CSA C22.2 N.º 3, Características eléctricas de los equipos de combustión.

3. La empresa no puede prever todos los usos que se les pueden dar a nuestros calefactores. Otros estándares rigen el uso de gases combustibles y productos de calefacción en aplicaciones específicas. Tu autoridad local puede asesorarlo respecto de estos. Consulte a la autoridad local contra incendios si tiene preguntas sobre las aplicaciones.
4. Los calentadores de aire forzado no deben orientarse contenedores de gas propano dentro de un radio de 20 pies/6,10 metros.
5. No lave el calefactor. Use solamente aire comprimido, un cepillo suave o un paño seco para limpiar el interior del calefactor y sus componentes.

6. Por motivos de seguridad, este calefactor está equipado con un interruptor de límite superior de restablecimiento manual, un interruptor de comprobación de aire y una válvula de control de gas redundante. Nunca haga funcionar el calefactor con dispositivos de seguridad desactivados. No haga funcionar el calefactor a menos que todas estas características estén en pleno funcionamiento.
7. No oriente el calefactor hacia un contenedor de gas propano dentro de un radio de 20 pies (6 m) de la descarga de aire caliente del calefactor.
8. No bloquee las entradas de aire ni las válvulas de descarga del calefactor. Si lo hiciera, podría producir una combustión inadecuada o daños en los componentes del calefactor, lo que provocaría daños materiales.
9. Debe revisarse visualmente el conjunto de la manguera todos los días después de la reubicación del calefactor y cuando esté en uso. Si hay indicios evidentes de abrasión o desgaste excesivos, o si la manguera está cortada, esta debe reemplazarse antes de hacer funcionar el calefactor. Durante el uso y el almacenamiento, el conjunto de la manguera debe protegerse contra la exposición a materiales de construcción y el contacto con superficies calientes. El conjunto de repuesto de la manguera debe ser el que especifique el fabricante. Vea la lista de piezas.
10. Controle que no haya fugas de gas y que el funcionamiento sea adecuado tras la instalación del calefactor, al reubicarlo y luego del servicio. Consulte las instrucciones para la verificación de fugas en la sección sobre instalación de este manual.
11. Este calefactor debe ser inspeccionado por una persona calificada en mantenimiento, para determinar que su funcionamiento sea correcto antes de cada uso y por lo menos una vez al año.
12. Siempre corte el suministro de gas del calefactor si no se usa para la calefacción del lugar de trabajo.
13. Si se interrumpe el flujo de gas y se apaga la llama, no vuelva a encender el calefactor hasta estar seguro de que todo el gas que se pudo haber acumulado se haya ido. En cualquier caso, espere por lo menos 5 minutos para volver a encender el calefactor.
14. El tamaño mínimo del cilindro de gas propano que se debe usar: Calentadores de 170 000 btuh: (1) 100 lb/45 kg o (2) 40 lb/18 kg. : Calentadores de 80 000 btuh: 40 libras/18 kg
En las instalaciones de varios cilindros se necesita un colector para garantizar el suministro continuo de gas. Se debe organizar el sistema para proporcionar la recuperación del vapor desde el cilindro en funcionamiento.
15. Cuando se guarde el calefactor en interiores, se debe desacoplar la conexión entre el contenedor de suministro de gas propano y el calefactor. También se deben retirar los cilindros del calefactor y se deben almacenar, según corresponda, conforme al estándar sobre almacenamiento y manipulación de gases licuados de petróleo, ANSI/NFPA 58 o CSA B149.1, del Código de instalación de gas natural y propano.
16. Los contenedores de suministro de gas propano tienen roscas hacia la izquierda. Use la rueda manual suministrada con el regulador para acoplar conector POL del regulador flexible a la válvula de suministro de gas del cilindro.
17. Use un compuesto para uniones de tuberías que sea resistente al gas propano y al gas natural.

Instrucciones generales de instalación



ADVERTENCIA

Peligro de quemaduras

Puede causar daños materiales, lesiones graves o la muerte.

1. A fin de evitar la acumulación peligrosa de gas combustible, corte el suministro de gas en la válvula de servicio del artefacto antes de comenzar la instalación y lleve a cabo una prueba de fugas de gas después de realizar la instalación.
2. No fuerce la perilla de control de gas. Use solamente la mano para girar esta perilla. Nunca use herramientas. Si la perilla no funciona manualmente, el control debe ser reemplazado por un técnico de servicio calificado. El uso de fuerza o un intento de reparación puede provocar un incendio o una explosión.

1. Lea todas las precauciones de seguridad y siga las recomendaciones de L.B. White cuando instale este calefactor. Si durante la instalación o la reubicación del calefactor sospecha que una pieza tiene daños o defectos, llame a un taller de mantenimiento con calificación para que la repare o reemplace.
2. El equipo de calefacción debe estar correctamente dispuesto sobre una superficie plana, estable y horizontal antes de usarlo. Compruebe que el calefactor esté nivelado. (Use un nivel y haga un control en sentido longitudinal y transversal). Respete todas las distancias seguras mínimas del calefactor a los materiales combustibles más cercanos. Las distancias seguras se indican en la placa de datos del calefactor y en la página 4 de este manual.

3. Requisitos de instalación de la unidad de gas PL

- Todos los contenedores de gas PL se deben ubicar al menos a 5 pies/1,52 metros de la estructura más cercana de la pared de la carpa.
- Compruebe que todos los contenedores de gas PL estén asegurados y protegidos de la acción de la gente, del tráfico de vehículos y del contacto.
- Los contenedores de gas PL se deben ubicar en una superficie plana, nivelada y estable.
- Los cilindros de gas PL (también citados como cilindros o tanques de 100 libras/45 kg) deben estar asegurados contra caídas.

Contacte a sus autoridades locales, los vendedores de gas PL o los jefes del departamento de bomberos para obtener información detallada de la instalación en su área.

4. Este calentador se puede instalar en interiores o en exteriores y está aprobado para usarse con o sin conductos. Para instalaciones en exteriores, se necesitan accesorios adicionales a fin de proporcionar correctamente aire calentado al interior. Estos accesorios son los siguientes:

Difusor de unidad:

Este accesorio proporciona el despeje necesario para materiales combustibles y también distribuye el aire caliente dentro de la carpa. Es posible que en los códigos locales se exija una separación de 3,04 m entre la carpa y el calefactor. En este caso, no se debe usar el difusor montado en una unidad.

Números de la pieza del difusor de unidad:

Calefactores de 80 000 btu/h: 26349

Calefactores de 170 000 btu/h: 26351

Conjunto de conductos, 12 pulgadas/ 0,3 metros de diámetro x 12 pies/ 3,65 metros de largo:

Este accesorio permite ubicar el calefactor a unos 10 pies/3,04 metros de la carpa como algunos códigos locales lo solicitan.

Números de piezas del conjunto de conductos: gris 26346, blanco 26347, transparente 26348.

Difusor de extremo:

Este accesorio se usa con el conducto de 12 in/0,3 m de diámetro x 12 pies/3,65 m. Se ubica debajo del borde de la carpa y permite la distribución del aire caliente dentro de esta.

Número de pieza del difusor de extremo: 26350

NO USE OTRO CONDUCTO, CONDUCTOS FABRICADOS EN EL CAMPO, LONAS, TUBO DE COCINA ni ningún otro medio de conexión entre el calefactor y el interior de la carpa.

5. Cuando se usen accesorios de distribución de aire del difusor de la unidad o del difusor de extremo, compruebe que el material de la carpa se encuentre dentro del canal de accesorios y que el material de la carpa esté anclado de modo firme para sostener el material de la carpa de modo seguro dentro del canal. Consulte las páginas 16 y 17 para obtener información detallada al usar estos accesorios de distribución de aire.
6. El regulador de presión de gas del calefactor (con la válvula de descarga de presión) debe resguardarse contra condiciones climáticas adversas (lluvia, hielo, nieve) y materiales de construcción (asfalto, hormigón, yeso, etc.) que podrían afectar el funcionamiento seguro y podrían producir daños materiales o lesiones.
7. Asegúrese de que todos los accesorios que se envíen con el calefactor se extraigan del interior del calefactor y se instalen.

8. Verifique todas las conexiones en busca de fugas de gas mediante detectores de fugas de gas aprobados. La prueba de fugas de gas se realiza de la siguiente manera:

⚠ ADVERTENCIA
Peligro de incendio y explosión

- No use llamas (fósforos, sopletes, velas, etc.) para comprobar si hay fugas de gas.
- Use únicamente detectores de fugas de gas aprobados.
- La inobservancia de esta advertencia puede derivar en situaciones de incendios o explosiones.
- Los incendios o las explosiones pueden ocasionar daños materiales, lesiones o la muerte.

- Compruebe las conexiones de tuberías y mangueras, los conectores y los adaptadores del control de gas con detectores de fugas de gas aprobados.
 - Si se detecta una fuga de gas, verifique que los componentes estén limpios y que el compuesto de tubería se haya aplicado correctamente antes de continuar con el ajuste.
 - Ajuste las conexiones de gas según sea necesario para detener la fuga.
 - Luego de verificar todas las conexiones y detener las fugas, encienda el quemador principal.
 - Manténgase lejos mientras se enciende el quemador principal para evitar lesiones causadas por fugas escondidas que podrían provocar el retroceso de la llama.
 - Con el quemador principal funcionando, verifique las conexiones de tuberías y mangueras, los conectores y las juntas, además de la entrada de la válvula de control de gas y las conexiones de salida con detectores de fugas de gas aprobados.
 - Si se detecta una fuga de gas, verifique que las roscas de los componentes estén limpias y que el compuesto de tubería se haya aplicado correctamente antes de continuar con el ajuste.
 - Ajuste la conexión de gas según sea necesario para detener la fuga.
 - Si fuera necesario, reemplace las piezas o componentes pertinentes si no puede detenerse la fuga.
 - Asegúrese de que se hayan identificado y reparado todas las fugas antes de proceder.
9. Una vez instalado el calefactor, en un taller de mantenimiento calificado se debe verificar que la presión de gas de funcionamiento sea adecuada.
10. Encienda el calefactor según las instrucciones que se encuentran en este o en el manual del usuario.
11. El calefactor debe tener instalado el regulador de gas apropiado para la aplicación. Use únicamente el regulador de L.B. White originalmente suministrado con el calefactor. En este regulador se incluye un conector POL flexible que incorpora una válvula de flujo excedente. Una válvula de flujo excedente es un dispositivo de seguridad que proporciona protección contra descargas del contenedor de suministro de gas propano si el regulador se daña. Si el conector POL flexible se reemplaza alguna vez, debe usarse un conector POL L.B. White flexible para el reemplazo. La inobservancia de esta indicación puede derivar en situaciones de incendios, explosiones, pérdidas de propiedades, lastimaduras o muerte.
12. Se debe conectar un regulador al suministro de gas de modo que la presión en la entrada a la válvula de control de gas esté regulada dentro del rango especificado en la placa de datos en todo momento. Contáctese con su proveedor de gas o L.B. White Co., si tiene alguna duda.
13. Este calefactor está configurado para usarse únicamente con recuperación de vapor de gas propano. No use este calefactor en un sistema o aplicación de recuperación de líquido de gas propano. En caso de duda, comuníquese con L.B. White Co., Inc.
14. El calefactor debe instalarse de modo que no interrumpa ni obstruya las salidas normales, las salidas de emergencia, las puertas ni las pasarelas.
15. Se deben usar rejas, vallas o materiales adecuados a fin de mantener el equipo de calefacción alejado de las personas que usen y visiten la estructura.
16. El calefactor debe ubicarse de modo que su funcionamiento no se vea afectado por el drenaje de lluvia, hielo o nieve de la estructura. Si la unidad se monta afuera, debe ir encima de cualquier acumulación de agua o agua estancada. Si la unidad se dispone sobre el suelo, se recomienda usar una zanja circundante a fin de drenar la lluvia, el hielo o la nieve lejos de la unidad.
17. Cuando se instale el calefactor en exteriores, se deben eliminar del suelo y el terreno circundante la vegetación y otros materiales inflamables.
18. Eventualmente, como ocurre con todos los dispositivos eléctricos/mecánicos, el termostato puede fallar. Una falla en el termostato puede hacer que la calefacción resulte insuficiente. Se debe probar el termostato para comprobar que encienda y apague el calefactor con una diferencia de temperatura de $\pm 3^{\circ}\text{F}$ ($\pm 1,5^{\circ}\text{C}$).

19. Tómese el tiempo necesario para aprender a hacer funcionar y mantener el calefactor usando el manual del usuario. Asegúrese de conocer la manera de cerrar el suministro de gas del edificio y también del calefactor. Comuníquese con su proveedor de gas combustible si tiene alguna duda.
20. Cualquier defecto que encuentre al realizar cualquiera de los procedimientos de mantenimiento debe eliminarse y las piezas defectuosas deben reemplazarse de inmediato. El calefactor debe ser sometido a pruebas nuevamente por personal de servicio calificado antes de su reutilización.

Tamaño del suministro de gas propano

La vaporización del propano se ve afectada por numerosos factores: la superficie del contenedor, el nivel líquido del propano, la temperatura alrededor del contenedor y la humedad relativa. Todos estos factores son específicos para el lugar de trabajo. Por lo tanto, se requiere determinado nivel de experiencia y criterio para seleccionar el suministro de propano adecuado.

Si bien la experiencia es la mejor guía, se pueden aplicar las recomendaciones siguientes como punto de partida. La tabla se basa en experiencias en regiones climáticas septentrionales, en las cuales se imponen condiciones de frío y humedad elevada en el invierno. Si se imponen condiciones más o menos favorables en un lugar de trabajo específico, se pueden realizar ajustes tomando como base la experiencia.

Suministro de gas propano recomendado: cilindros requeridos por calefactor

Temperatura promedio en °F/°C	50/10	40/4,4	30/-1,1	20/-6.7	10-12,2	0/-17,8	-10/-23
40 lb/18 kg CS080/TS080	1	1	1	1	2	2	2
100 libras/45 kg CS170/TS170	1	1	1	2	2	2	3

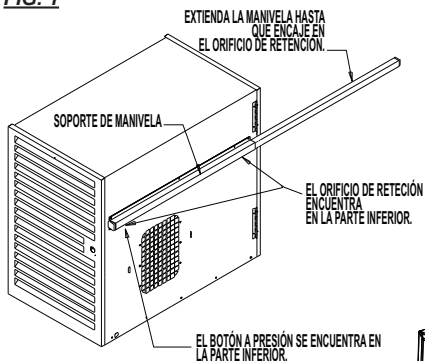
* Los cilindros deben conectarse juntos a un colector para permitir la recuperación simultánea de vapor de todos ellos.

Manija deslizable (Premier 170)

El Premier 170 está equipado con manijas deslizables para ofrecer movilidad práctica al estilo "carretilla".

- Presione el botón a presión de la parte inferior del soporte de almacenamiento de la manija deslizable.
- Extienda por completo ambas manijas hasta que el botón de presión se bloquee en su lugar.
- Para el almacenamiento, pulse el botón de presión y empuje las manijas hasta la posición de retracción total.

FIG. 1



Soporte para manguera, conjunto del soporte de almacenamiento del regulador y conjunto del soporte de almacenamiento del termostato

1. Soporte para manguera (todos los modelos)

- a. Alinee el soporte de alambre para manguera con las tuercas en jaula en la parte trasera del calefactor.
- b. Instale el soporte usando los pernos de 1/4-20 x 3/4 in y las arandelas planas de 1/4 in. Ajustelos bien. Consulte la Fig. 2.

2. Conjunto del soporte de almacenamiento del termostato (todos los modelos)

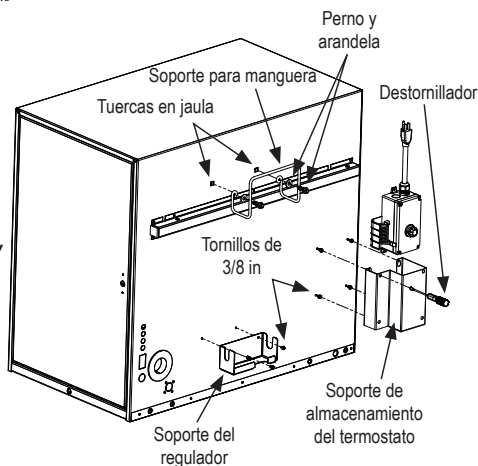
- a. Instale cuatro tornillos de cabeza hexagonal de 3/8 in en los cuatro orificios de la esquina inferior de la parte posterior del calefactor, en el extremo de la puerta tipo persiana. **NO LOS AJUSTE.** Consulte la Fig. 2. Se muestra la unidad Premier 170.

- b. Deslice las cuatro bocallaves de las bridas de montaje del soporte del termostato sobre los cuatro tornillos.
- c. Después de presionar el soporte hacia abajo hasta su posición, inserte una llave de tuercas de 1/4 in a través de los orificios del soporte y ajuste los tornillos de manera segura. Almacene el termostato cuando no esté en uso.

3. Conjunto del soporte de almacenamiento del regulador (Premier 170), SOPORTE

- a. Alinee el soporte del regulador con los dos orificios de 1/8 in de diámetro en la parte inferior trasera de la caja del calefactor.
- b. Instale el soporte de almacenamiento en la caja usando los dos tornillos de cabeza hexagonal de 3/8 in en este punto. Ajustelos bien.

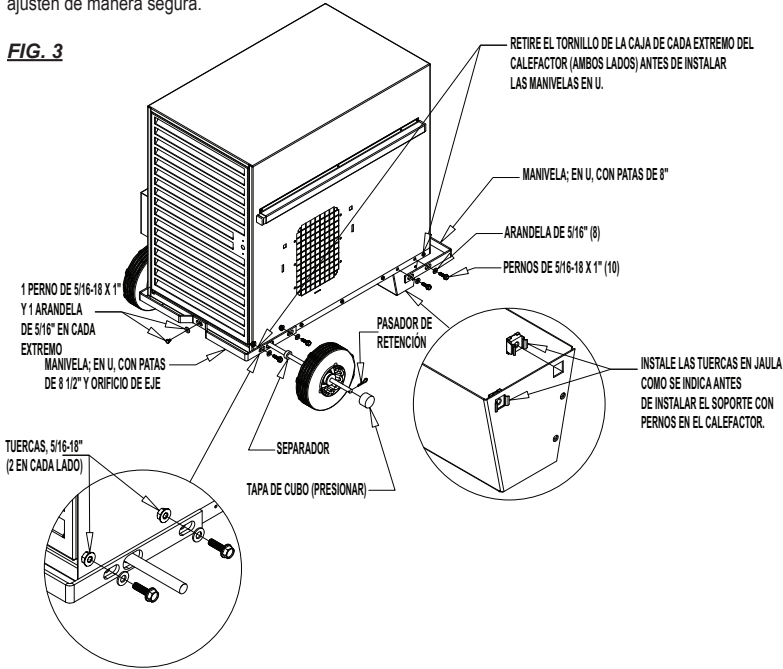
FIG. 2



Conjunto de rueda, pata y manija de elevación (Premier 170)

Consulte la Fig. 3 para el montaje de los componentes. Asegúrese de que todos los accesorios se ajusten de manera segura.

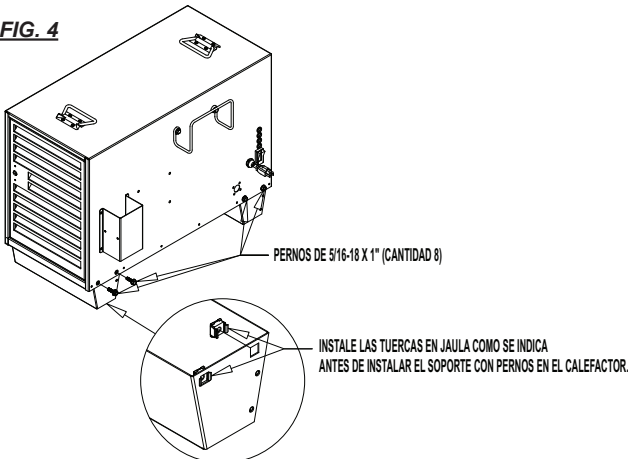
FIG. 3



Conjunto de patas (Premier 80)

Instale las patas al calefactor como se muestra. Ajuste toda la tornillería.

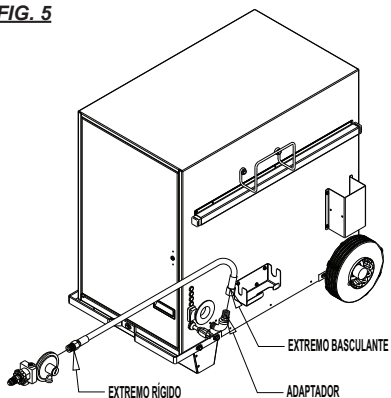
FIG. 4



Conjunto de la manguera y el regulador

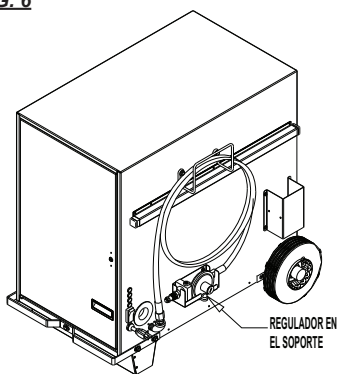
1. Conecte el extremo rígido de la manguera a la salida del regulador. Conecte el otro extremo al adaptador de manguera del calefactor. Ajustelo bien. Consulte la Fig. 5

FIG. 5



2. La manguera puede enrollarse y colgarse en el soporte para manguera, como se muestra en la Fig. 6.
3. En el caso de los calefactores Premier 170, resguarde el regulador en el soporte de almacenamiento (Fig. 6) cuando no esté en uso.

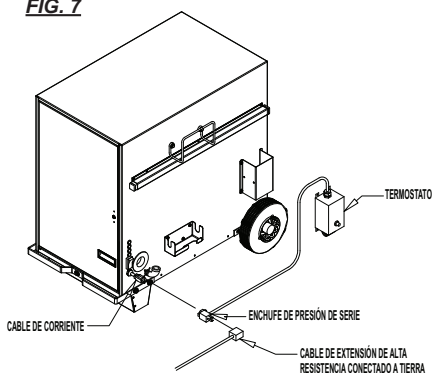
FIG. 6



Conjunto del termostato (todos los modelos, número de pieza de juego 09454)

1. Conecte el enchufe macho del calefactor al lado hembra del enchufe de presión de serie del termostato que se muestra en la FIG. 7. Vea la Fig. 7.
2. Conecte el lado macho del enchufe de presión de serie a un cable de extensión eléctrico de alta resistencia conectado a tierra. Enchufe el cable de extensión a un tomacorriente aprobado.

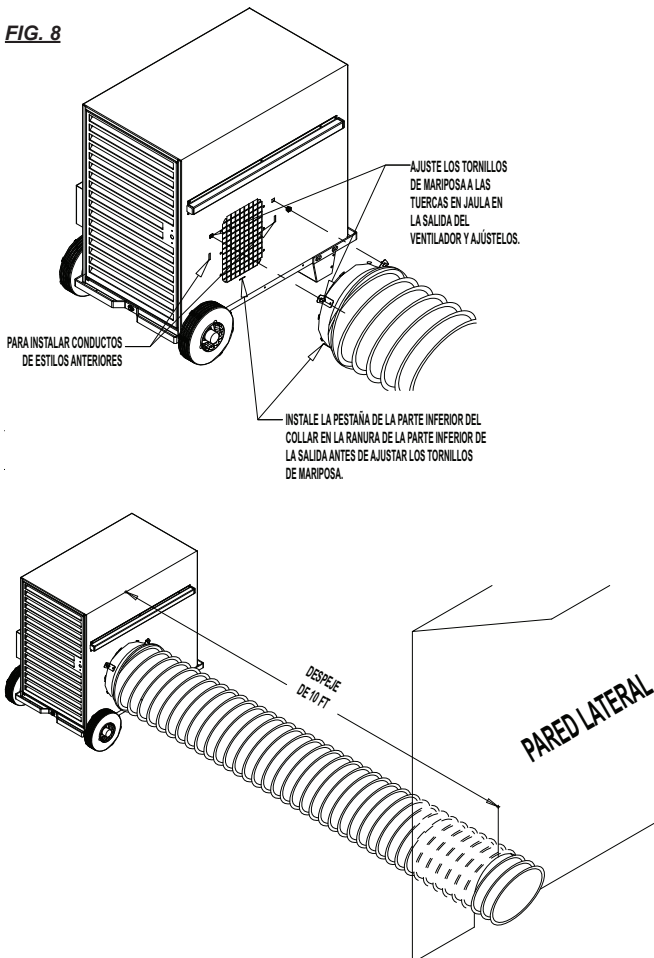
FIG. 7



Conjunto de conductos Accesorio 26346; gris y 26347; blanca (No se incluyen).

1. Consulte la Fig. 8 para la instalación del conducto. Ajuste a mano los tornillos con firmeza. (Nota: También se proporcionan ranuras a los lados de la descarga de aire del calefactor para la conexión de adaptadores de conductos de estilos anteriores con configuraciones de montaje mediante pestañas).
2. Extienda el juego de conductos hasta 12 ft./3,65 m. FIG. 8
3. Posicione el conducto como se muestra. Elimine cualquier dobladura de los conductos.

FIG. 8



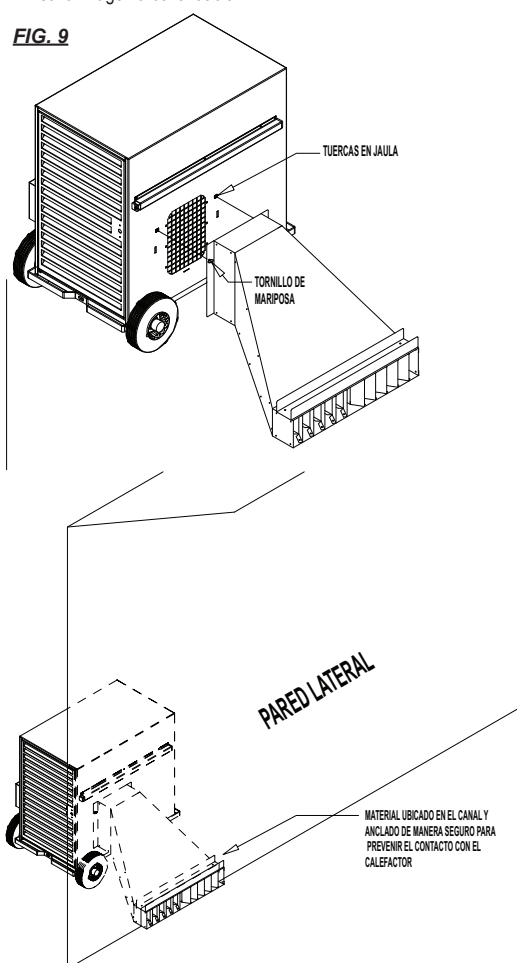
Difusor de la unidad

Accesorio 26349 (Premier 80) y 26351 (Premier 170)

(No se incluye).

1. Consulte la Fig. 9 para la instalación del difusor de la unidad. Realice el ajuste con la mano los tornillos de la FIG. 9 con firmeza. (Nota: Se proporcionan ranuras a los lados para la conexión de difusores de unidades de estilos anteriores con configuraciones de montaje mediante pestañas).
2. Posicione el difusor debajo de la pared de la carpa como se muestra. Disponga el material de la carpa dentro del canal del difusor. Asegúrese de que el material se fije de manera segura dentro del canal para evitar el contacto con el calentador. Para instalaciones convencionales, vea la imagen a continuación.

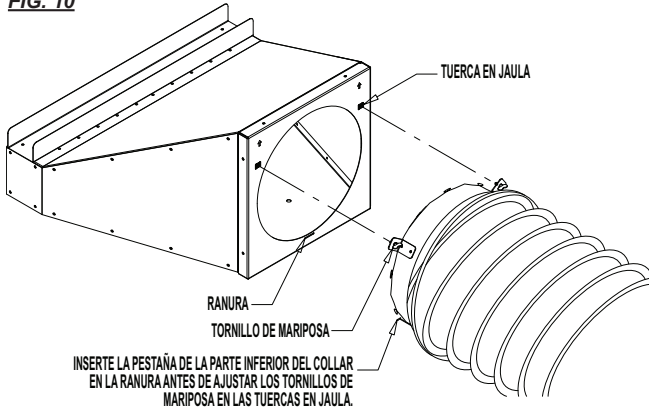
FIG. 9



Difusor de extremo Accesorio 26350 (No se incluye).

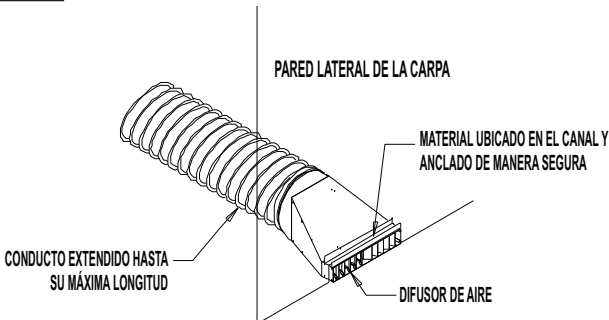
1. Coloque la abrazadera para conducto alrededor de este y del collar. El asiento de la abrazadera va sobre el conducto. Una los extremos de la abrazadera y ajústela de manera segura. Vea la Fig. 10.

FIG. 10



2. Posicione el difusor debajo de la pared de la carpa como se muestra. Disponga el material de la carpa dentro del canal del difusor. Asegúrese de que el material se fije de manera segura dentro del canal. Vea la Fig. 11.

FIG. 11



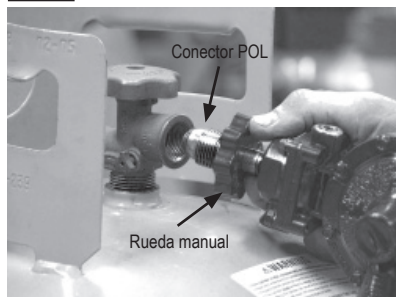
Conexión del regulador al suministro de gas

- Use únicamente el regulador de L.B. White suministrado con el calefactor.
- Use compuesto para uniones de tuberías resistente al gas propano y al gas natural en todas las conexiones roscadas.
- El calefactor debe regularse en todo momento para funcionar de manera adecuada.
- Realice inspecciones en busca de fugas en todas las conexiones del regulador después de conectarlo al suministro de gas.

Calefactores Premier estándares de gas propano (modelos TS080/170)

1. Retire la tapa del conector POL del regulador. (No la deseche).
2. Inserte el vástago del conector POL en la válvula del cilindro. Presione la rueda manual accionada por resorte contra la tuerca roscada. Usando la rueda manual, y hacia la izquierda, enrosque la tuerca del conector POL en la válvula del contenedor. Apriétela con firmeza. Vea la Fig. 12.

FIG. 12



3. Lentamente, abra la válvula del cilindro. Esto evitará el bloqueo de la válvula de flujo excesivo incorporada dentro del vástago del conector POL.
4. Cuando almacene o transporte el calefactor, use la tapa protectora para garantizar que el conector POL esté protegido contra daños y la entrada de suciedad.

Calefactores Premier estándares de gas natural (modelos TS080/170)

- Use el regulador incluido con el calefactor de gas natural si la presión de suministro del calefactor es superior a la presión de entrada máxima de 13,5 in de columna de agua/3,36 kPa, según se establece en la placa de datos del calefactor y en este manual del propietario.
- El regulador de gas suministrado con el calefactor requiere una presión de entrada mínima de 2 PSIG.
- Conecte el regulador de gas natural (pieza n.º 09795) a la línea de suministro de gas natural usando las conexiones adecuadas.

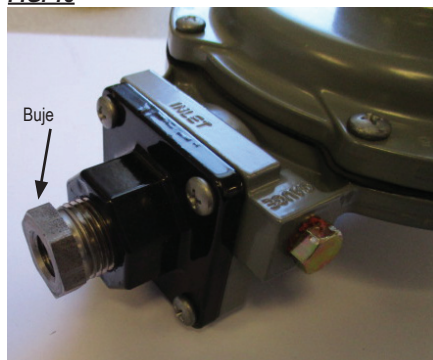
Calefactores Premier de doble combustible (modelos CS080/CS170)

- El regulador suministrado con los calefactores de dos combustibles permite el uso con gas propano o natural.
- Use únicamente el regulador de L.B. White suministrado con el calefactor.
- Use compuesto para uniones de tuberías resistente al gas propano y al gas natural en todas las conexiones roscadas.
- El calefactor debe regularse en todo momento para funcionar de manera adecuada.
- Realice inspecciones en busca de fugas en todas las conexiones del regulador después de conectarlo al suministro de gas.

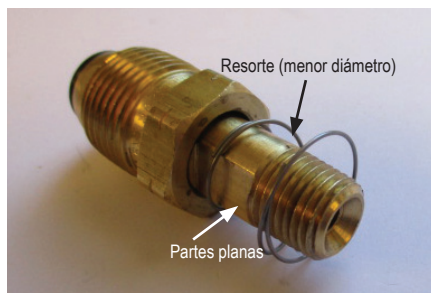
Al usar gas propano como combustible:

1. Enrosque el buje en la entrada del regulador. Ajustelo bien. Vea la Fig. 13.

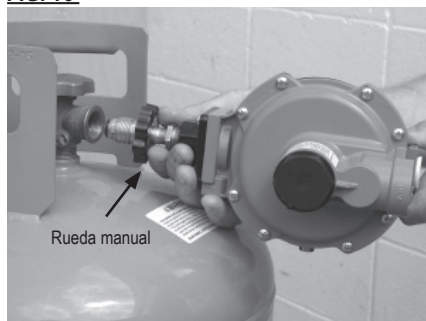
FIG. 13



2. Retire la tapa de plástico del conector POL. (Este se encuentra en el bolso de tornillería. No deseché la tapa).
3. Deslice el resorte por encima del vástago del conector POL. El extremo de menor diámetro del resorte va hacia la tuerca de latón del conector POL. Vea la Fig. 14. Deslice el lado abierto de la rueda manual por encima del vástago del conector POL. Enrosque el conjunto hacia la entrada de 1/4 in del buje instalado en el regulador. Ajustelo de manera segura aplicando una llave en las partes planas del vástago del accesorio POL. Vea las Fig. 14 y 15.

FIG. 14**FIG. 15**

4. Inserte el vástago del conector POL en la válvula del cilindro. Presione la rueda manual accionada por resorte contra la tuerca roscada. Usando la rueda manual, y hacia la izquierda, enrosque la tuerca del conector POL en la válvula del contenedor. Apriétela con firmeza. Vea la Fig. 16.

FIG. 16

5. Lentamente, abra la válvula del cilindro. Esto evitará el bloqueo de la válvula de flujo excesivo incorporada dentro del vástago del conector POL.
6. Cuando almacene o transporte el calefactor, use la tapa protectora para garantizar que el conector POL esté protegido contra daños y la entrada de suciedad.

Al usar gas natural como combustible:

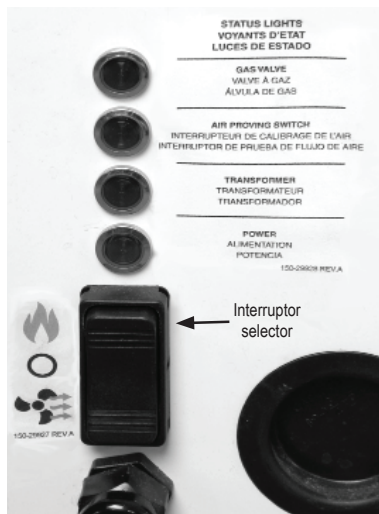
- El regulador incluido con el calefactor de doble combustible debe usarse con gas natural si la presión de suministro de gas natural del calefactor es superior a la presión de entrada máxima de 13,5 in de columna de agua/3,36 kPa, según se establece en la placa de datos del calefactor y en este manual del propietario.
- Para este regulador se necesita una presión de suministro de gas natural mínima de 2 PSIG.
- Retire el conjunto del conector POL con la rueda manual de la entrada del regulador.
- Conecte el regulador a la línea de suministro de gas natural con las conexiones adecuadas.

Instrucciones de puesta en marcha

1. Conecte el cable eléctrico a un tomacorriente aprobado.

Un interruptor selector situado en la parte trasera del calefactor permite el funcionamiento en modos de calefacción o ventilación (sin calor). Vea la Fig. 17.

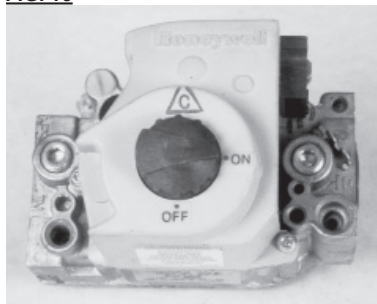
FIG. 17



A. Funcionamiento del modo de calefacción

- a. Abra todas las válvulas de suministro de combustible manuales. Verifique si hay fugas de gas con un detector de fugas aprobado. La válvula de control de gas del calefactor cuenta con una característica de cierre manual incorporada en el conjunto de la válvula. Asegúrese de que el indicador de la válvula se sitúe en la posición de ACTIVACIÓN (ON). Vea la Fig. 18

FIG. 18



- b. Mueva el interruptor selector hasta la posición de calor. Vea la Fig. 17.

- c. Ajuste el termostato por encima de la temperatura ambiente.

- El motor del ventilador se encenderá.
- El encendedor generará chispas.
- La unidad se encenderá.

- d. El termostato encenderá y apagará el calefactor según el punto establecido.

(Es normal que quede aire atrapado en la manguera de gas en instalaciones nuevas. Es posible que se produzca más de intento de encendido antes de que el aire finalmente se purgue de la línea y la unidad se ponga en marcha).

Cuando el interruptor se encuentre en la posición de calor, se activarán en secuencia cuatro luces de estado (vea la Fig. 17) a medida que el control de encendido verifique circuitos específicos. Si el calefactor no se enciende y la luz de estado se apaga, consulte la etiqueta de resolución de problemas en la puerta de acceso del quemador del calefactor o la sección de resolución de problemas del manual.

B. Funcionamiento del modo de ventilación

- Mueva el interruptor selector hasta la posición de apagado, **O**, y luego hasta la de ventilación
- Solo funcionará el motor del ventilador. El encendedor no generará chispas y no se producirá el encendido.

La característica de ventilación se emplea cuando se necesita circulación de aire. El calefactor no realiza el ciclo en el ajuste del calefactor.

C. Apagado (O)

1. Posicione el interruptor en el punto intermedio, **O**.
2. No exceda el valor de entrada que se indica en la placa de datos ni la presión del orificio del quemador recomendada por el fabricante para los orificios empleados. **Compruebe que el suministro de aire primario del quemador principal esté abierto y libre de polvo, suciedad y residuos para una combustión completa y adecuada.**

Instrucciones de apagado

Para el apagado normal, configure el termostato en un valor inferior al de temperatura ambiente. Al realizar tareas de servicio o mantenimiento, siga los pasos 1 a 5.

1. Cierre la válvula de suministro de combustible.
2. Permita que el calefactor quemé el gas combustible que quede en la línea de suministro.
3. Fije el termostato en "Apagado" o "Sin calor".
4. Posicione el interruptor selector en O (apagado).
5. Desconecte el calefactor del suministro eléctrico y de gas.

Válvula selectora de gas Calefactores de doble combustible (doble combustible) únicamente

1. Esta función permite que el calefactor funcione con gas natural o propano sin modificar el orificio del quemador. La válvula selectora de gas se encuentra entre la válvula de control de gas y el quemador. La selección de gas se realiza deslizando hacia arriba el manguito de bloqueo (si se proporciona) y posicionando nuevamente la manija de la válvula. **ESTANO ES UNA VÁLVULA DE CIERRE DE GAS MANUAL.**
2. Consulte las Fig. 19 y 20. La manija de la válvula debe posicionarse de manera adecuada según el tipo de gas que se use (se muestra la unidad Premier 170 DF. Se aplican las mismas posiciones para el modelo Premier 80 DF).

FIG. 19

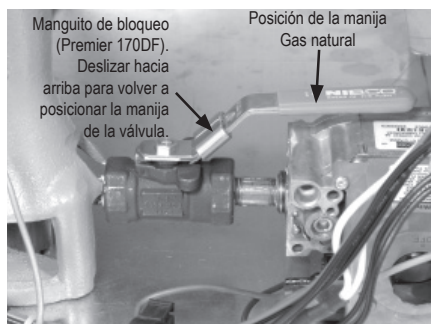


FIG. 20

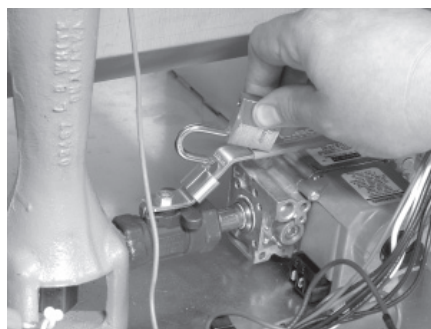


3. Para el correcto funcionamiento, manija debe posicionarse totalmente a 90° (gas propano) o en sentido paralelo al flujo de gas (gas natural). Consulte también la calcomanía situada en la base del calefactor, junto a la válvula selectora.

No haga funcionar el calefactor con la manija de la válvula selectora entre una de las posiciones. De lo contrario, el funcionamiento será incorrecto.

4. Premier 170 DF: la manija de la válvula puede bloquearse para evitar el posicionamiento incorrecto. Use el orificio disponible. Vea la Fig. 21.

FIG. 21



Instrucciones de limpieza



ADVERTENCIA

Peligro de incendio, quemaduras y explosión

- Este calefactor contiene componentes eléctricos y mecánicos en los sistemas de administración de gas, seguridad y flujo de aire.
- Estos componentes pueden dejar de funcionar o experimentar fallas debido a factores como el polvo, la suciedad, el desgaste, el envejecimiento o los ambientes corrosivos de los edificios destinados a animales.
- La limpieza e inspección periódicas, así como un mantenimiento adecuado, son fundamentales para prevenir lesiones graves o daños materiales.

1. Antes de la limpieza, apague todas las válvulas de suministro de gas y desconecte el suministro eléctrico.
2. Se debe eliminar el polvo o la suciedad del calefactor periódicamente:
 - a. Antes de cada uso, realice una limpieza general del calefactor aplicando aire comprimido, un cepillo suave o un paño seco a la caja y los componentes internos. Al hacerlo, quite el polvo de la caja del motor para impedir que se recaliente.
 - b. Realice una limpieza profunda del calefactor por lo menos una vez al año. Cuando la haga, retire el conjunto del ventilador y el motor, y quite el polvo del conjunto de las aspas del ventilador con un cepillo o mediante soplado. Además, compruebe que no se acumule polvo en los puertos venturi de la entrada de aire del quemador ni en la pieza fundida.



ADVERTENCIA

No use una lavadora a presión, agua ni una solución de limpieza líquida en los controles de gas. El uso de una lavadora a presión, agua o una solución de limpieza líquida en los componentes de control puede causar lesiones graves o daños materiales por acción del agua o de los líquidos:

- En los componentes y los cables eléctricos, pueden causar descargas eléctricas o fallas en los equipos.
- En las válvulas de control de gas, pueden generar corrosión, que a su vez puede ocasionar fugas de gas y, debido a estas, incendios o explosiones.

Limpie todos los componentes del calefactor con aire a presión o un cepillo o paño seco.

Instrucciones de mantenimiento

ANTES DE CADA USO:

- Controle la superficie alrededor del calefactor para garantizar que esté despejada y que no haya en ella materiales inflamables, gasolina u otros líquidos y vapores inflamables.
- Solicite a su proveedor de gas que revise todas las conexiones de gas en busca de fugas o restricciones en las líneas de gas.
- Inspeccione la ventilación del regulador para asegurarse de que esté libre de obstrucciones. Los residuos, los insectos, los nidos de insectos, la nieve o el hielo depositados o acumulados en un regulador pueden obstruir las ventilaciones y generar presión excesiva en el calefactor.
- Controle todos los terminales y los componentes eléctricos relacionados con el cableado dentro del calefactor en busca de corrosión, desgaste o cortes en el aislamiento, desajustes en las conexiones, etc. Realice reparaciones o reemplazos según sea necesario.
- Verifique el conjunto de la manguera después de la instalación y la instalación del calefactor, y cuando este se encuentre en uso. Si hay indicios evidentes de abrasión o desgaste excesivos, o si la manguera está cortada, esta debe reemplazarse antes de hacer funcionar el calefactor nuevamente.
- Verifique la legibilidad de todas las indicaciones del calefactor (es decir, diagramas de cableado, advertencias, puesta en marcha, apagado, resolución de problemas, etc.) en el momento del mantenimiento. Asegúrese de que no estén cortadas, rasgadas ni dañadas de otro modo. Comuníquese de inmediato con L.B. White Co., Inc. para reemplazar las indicaciones dañadas. La placa de datos, las advertencias y las instrucciones de encendido y apagado se encuentran disponibles sin costo.

CADA AÑO:

- Limpie y controle el encendedor y el sensor de llamas en busca de grietas. Reemplace si fuera necesario.
- Los reguladores pueden desgastarse y funcionar de manera incorrecta. Pida a su proveedor de gas que verifique los códigos de fecha que figuran en todos los reguladores instalados y las presiones que llegan al calefactor para asegurarse de que los reguladores sean confiables.
- Pruebe los interruptores de calor de límite superior y restablecimiento manual para garantizar que funcionen correctamente. (Consulte las instrucciones de prueba de este manual para el procedimiento).

Instrucciones de servicio

ADVERTENCIA Peligro de quemaduras

- Las superficies del calefactor permanecen calientes durante un tiempo luego de que se apaga el calefactor.
- Deje que el calefactor se enfríe antes de realizar tareas de servicio, mantenimiento o limpieza.
- Si no se cumple con esta advertencia, se pueden producir quemaduras.

ADVERTENCIA Peligro de incendio y explosión

- No desarme ni intente reparar componentes del calefactor o del tren de gas, como las válvulas o las mangueras.
- Todas las piezas deben reemplazarse si se encuentran defectos en ellas.
- De lo contrario, se pueden producir incendios o explosiones que podrían ocasionar daños materiales, lesiones o la muerte.

1. Cierre la válvula de suministro de combustible del calefactor y desconecte el suministro eléctrico antes de realizar el mantenimiento, a menos que lo necesite para el procedimiento de servicio.

2. Limpie el orificio del calefactor con aire comprimido o un paño suave y seco. No use limas, taladros, raspadores u otros elementos para este procedimiento. Esto podría agrandar el orificio y causar problemas de combustión o encendido. Reemplace el orificio si no puede limpiarse adecuadamente.

3. El interruptor de límite superior se puede probar de la siguiente manera:

- Desconecte los cables del componente y puentéelos entre sí.
- Vuelva a conectar el suministro eléctrico y abra las válvulas de suministro de combustible.
- Si el calefactor se enciende, significa que existen desperfectos en el componente y debe reemplazarse.
- Si la pieza tiene fallas, no deje activo el puente ni haga funcionar el calefactor. Reemplace la pieza de inmediato.
- Un método alternativo para verificar los componentes consiste en realizar una verificación de continuidad.

4. No se deben aplicar puentes al interruptor de comprobación de aire. De lo contrario, el control de encendido no permitirá el funcionamiento del calefactor. Verifique la continuidad del interruptor de comprobación de aire. Si el interruptor exhibe desperfectos, reemplácelo.
5. Abra el panel respectivo de la caja para acceder a los componentes relacionados con el ventilador o el quemador. Abra la caja de control para acceder al control de encendido y al transformador.
6. Cuando reemplace componentes, desconecte los cables eléctricos correspondientes.
7. Para volver a realizar el montaje, invierta el procedimiento de mantenimiento respectivo. Asegúrese de que las conexiones estén bien ajustadas y se inspeccionen en busca de fugas.
8. Después del servicio, encienda el calefactor para garantizar el correcto funcionamiento.

Conjunto del motor y el ventilador

1. Abra el panel de acceso de tipo persiana que se halla frente al extremo del quemador del calefactor. Desconecte los cables del motor.
2. Retire todos los tornillos que fijan la placa de fijación del motor al recinto.
3. Retire el conjunto del ventilador y el motor del recinto.
4. Afloje los tornillos de fijación de la turbina.
5. Retire la turbina del eje del motor.
6. Retire las cuatro tuercas que fijan el motor a la placa de fijación.

FIG. 22

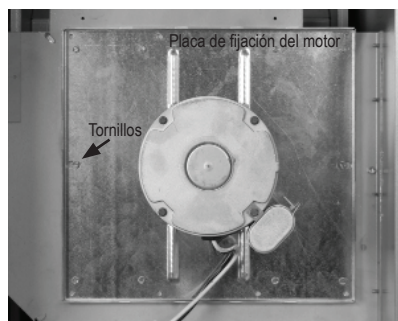
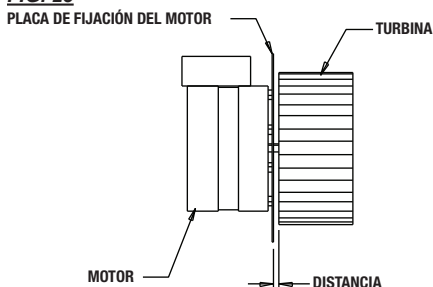


FIG. 23



Premier 80 3/16 in/4,7 mm
Premier 170 1/16 in/3,2 mm

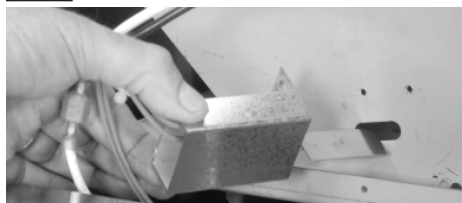
Interruptor de comprobación de aire

El interruptor de comprobación de aire se encuentra en el recinto del ventilador en el extremo del motor del calefactor. Debe funcionar de manera adecuada para que sea posible el ciclo de encendido. Si los contactos del interruptor de comprobación de aire se cierran antes de que el control de encendido ponga en marcha el motor del ventilador, o no se cierran ante una demanda de calor después de que se pone en marcha el motor del ventilador, no se producirá el encendido. Vea la Fig. 24.

Para el servicio:

- Quite los dos (2) tornillos de la lámina metálica que sostienen el interruptor con el soporte al recinto del soplador.
- Retire el conjunto girando el interruptor de modo que la paleta del brazo interruptor se pueda retirar a través del orificio alargado que se encuentra en el lateral del recinto del ventilador.

FIG. 24



Conjunto de encendedor y sensor de llama

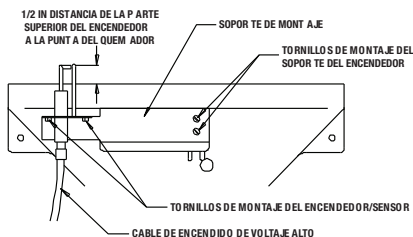
El diseño del encendedor incorpora detección local. Esto significa que también sirve para detectar la llama del quemador.

1. Consulte la Fig. 25 o 26, según el modelo del calefactor para hallar información sobre el conjunto de encendedor y sensor.
 2. Retire los dos tornillos que fijan el soporte de montaje al quemador. Retire el conjunto del encendedor.
 3. Desconecte el cable de alto voltaje del conjunto del encendedor.
 4. Retire los dos tornillos que fijan el sensor del encendedor al soporte de montaje.
- Se deben limpiar el encendedor y el vástago de conexión a tierra para que el encendido sea correcto.
 - Use lana de metal o tela de lija.
 - Frótle bien para eliminar la acumulación de polvo, la suciedad y el óxido.
 - Verifique la base de cerámica del encendedor en busca de grietas. -- Reemplace el encendedor si se encuentran grietas.

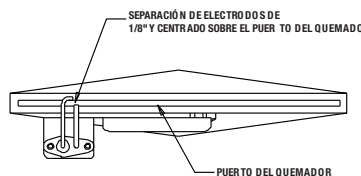
FIG. 25

Mismas especificaciones para todas las versiones Premier 170

VISTA FRONTAL



VISTA SUPERIOR



Restablecimiento manual de los interruptores de límite superior



ADVERTENCIA

Peligro de incendio

- No haga funcionar el calefactor con el interruptor de límite superior desactivado.
- Si lo hace, se puede generar recalentamiento, lo cual podría derivar en un incendio y, en consecuencia, daños en el calefactor o daños materiales.

Este calefactor tiene dos interruptores de límite: uno del lado de la puerta sólida de la cámara de calor y el otro dentro de la puerta tipo persiana, montado dentro del panel lateral de la caja del ventilador. Ambos se identifican fácilmente por botones de restablecimiento rojos en el centro. Ver las Fig. EN las Fig. 26 y 27 se muestra la unidad Premier 170.

FIG. 26



FIG. 27



Funcionamiento

Si el calefactor se recalienta, uno o ambos interruptores de límite pueden activarse y hacer que se abra el circuito eléctrico de la válvula de control de gas. El recalentamiento generalmente se debe a restricciones en los conductos, bajo voltaje, bloqueo de la entrada de aire del calefactor o excesos de presión de gas.

Restablecimiento

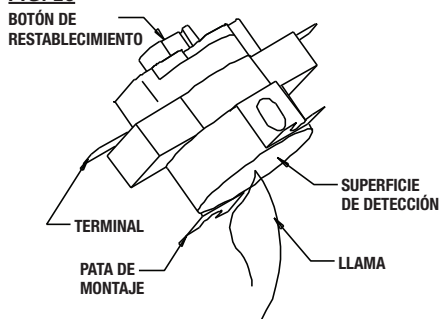
Si uno de los interruptores se activa, retire la tapa roja y presione firmemente el botón de restablecimiento del centro del interruptor. Luego, apague el calefactor y vuelva a encenderlo. Determine la causa por de la activación del límite superior.

Pruebas

Para garantizar el correcto funcionamiento de estos componentes de seguridad críticos, se deben probar ambos interruptores de manera manual. Normalmente, esto debe realizarse durante una limpieza profunda del calentador.

1. Extraiga el interruptor de límite superior.
2. Sosteniendo el interruptor por una de sus patas de montaje, aplique una llama pequeña solamente a la zona de detección de la parte posterior de este. Vea la Fig. 28. Actúe con precaución para no derretir el recinto de plástico del interruptor durante esta prueba.
3. En un plazo de un minuto, debería escuchar un clic proveniente del interruptor. Esta señal indicará que los contactos se han abierto.
4. Deje que el interruptor se enfríe durante aproximadamente un minuto. Retire la tapa roja y presione firmemente el botón de restablecimiento del interruptor.
5. Compruebe la continuidad eléctrica en los terminales del interruptor para asegurarse de que se hayan cerrado los contactos. Instale la tapa roja.

FIG. 28



Orificio del quemador y válvula de control de gas

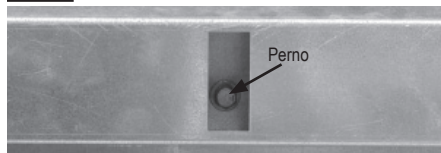
1. Retire la manguera de gas del calefactor.
2. Retire el codo y todos los tornillos de la entrada de la válvula de control de gas. Vea la Fig. 29.

FIG. 29



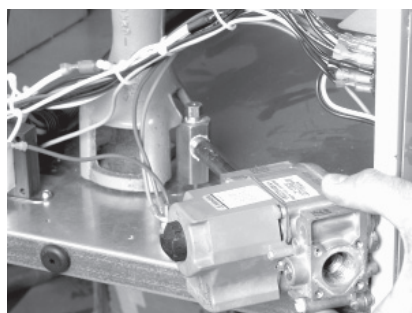
3. Abra la puerta sólida del lado de entrada de gas del calefactor.
4. Retire el perno de retención del quemador de la parte inferior de la base del calefactor. En los calefactores Premier 170, se puede acceder al perno a través de una abertura de la pata de soporte de la unidad. Use una llave de trinquete con extensión y una llave de cubo de 9/16 in. Vea la Fig. 30.

FIG. 30



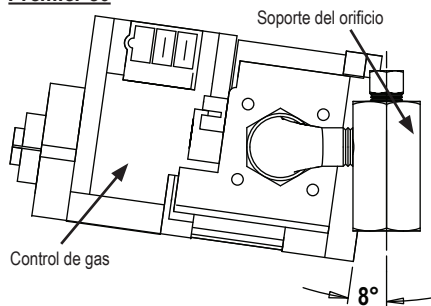
5. Levante y gire el conjunto de control de gas para exponer el orificio del quemador. Vea la Fig. 32. Reemplace los componentes según sea necesario.

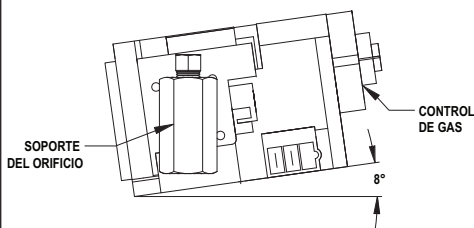
FIG. 32



6. Al instalar la válvula de control en el colector, esta debe estar 8° desplazada respecto del soporte del orificio para garantizar que se alinee con los orificios de montaje. Vea la Fig. 33.

FIG. 33
Premier 80



Premier 170**Control de encendido**

El control envía y recibe voltajes para accionar los componentes o verificar su funcionamiento. Consulte la siguiente información y la Fig. 34 para comprender las designaciones de los terminales del control de encendido si realiza verificaciones de voltaje en el control.

- L1:** voltaje de suministro de energía principal del control.
- IND:** voltaje de suministro de energía principal del control al motor. **LED:** no se usa.
- MV:** 24 V de CA del control de encendido a los interruptores de límite superior y a la válvula de control de gas.
- PS2:** Retorno de 24 V de CA del interruptor de comprobación de aire al control de encendido.
- PS1:** 24 V de CA del control de encendido al interruptor de comprobación de aire.
- W:** 24 V de CA del transformador al control de encendido (sin este voltaje del transformador, el control de encendido no funcionará).
- FS:** sin terminal.
- R:** sin terminal.
- X:** sin terminal.
- C/COM:** conexión a tierra para el transformador y el control de encendido.

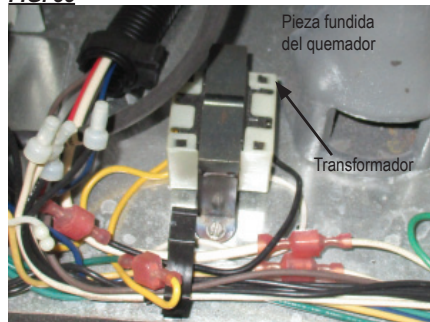
También consulte "Secuencia de funcionamiento" en este manual según sea necesario para comprender el funcionamiento del control de encendido durante una demanda de calor.

FIG. 34**Transformador**

El transformador reduce el voltaje de suministro de energía principal a 24 V de CA para el funcionamiento del control de encendido.

Con un suministro de 24 V de CA del transformador, el control de encendido no funcionará y tampoco lo hará el calefactor.

Consulte la Fig. 35 para conocer la ubicación del transformador. Se muestra el modelo Premier 170.

FIG. 35

Verificaciones de la presión de gas



ADVERTENCIA

- No desarme la válvula de control de gas.
- No intente reemplazar ningún componente de la válvula de control de gas.
- La válvula de control de gas se debe reemplazar si se produce algún daño físico en el conjunto de esta.
- Si no se cumple con esta advertencia, se producirán incendios o explosiones que podrían derivar en situaciones de daños materiales, lesiones o muerte.

- A continuación, se explica un procedimiento típico que se debe seguir para verificar las presiones de gas.
- Las presiones de gas variarán distintas según el tipo de combustible.
- Consulte la placa de datos del calefactor o la página 4 de este manual para hallar las presiones específicas que se deben usar en relación con este procedimiento.
- La presión de gas medida en la entrada de la válvula de gas es la presión de entrada, y la presión de gas medida en la salida de esta es la presión del colector del quemador.

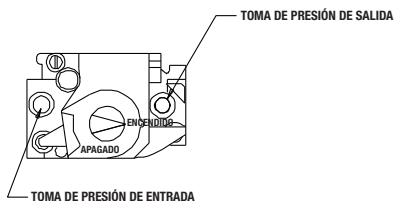
A. Preparación

1. Obtenga dos manómetros con capacidad para leer hasta 35 in de columna de agua.
2. Desconecte el calefactor del suministro eléctrico y cierre la válvula de suministro de combustible de la entrada del calefactor.
3. Abra el panel de acceso al quemador.
4. Cepille o sople el polvo o la suciedad que haya en la válvula de control del gas o cerca de esta.

B. Instalación de los manómetros

1. Ubique las tomas de presión de entrada y salida (vea la Fig. 36). Quite los tapones de presión con una llave Allen de 3/16 in.

FIG. 36



2. Conecte un manómetro a cada toma de presión de manera segura.

3. Abra las válvulas de suministro de combustible del calefactor y vuelva a conectar el suministro eléctrico del calefactor.

4. Encienda el calefactor.

C. Lectura de presiones

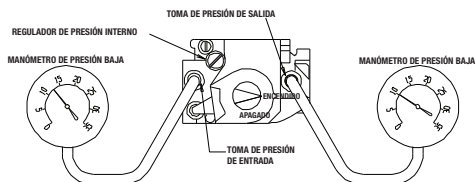
1. Con el calefactor funcionando, los manómetros deberían indicar las presiones especificadas en la placa de datos.

2. ¿Las lecturas de los manómetros de entrada y salida concuerdan con las que se especifican en la placa de datos? Si así fuera, entonces no se necesitan más verificaciones ni ajustes. Siga a la sección D.

3. Si las presiones de entrada no concuerdan con las que se especifican en la placa de datos, se deberá ajustar el regulador que controla la presión de gas del calefactor.

4. Si las presiones de entrada son correctas y la presión del colector del quemador no concuerda con la que se especifica en la placa de datos, se deberá ajustar el regulador de presión interno de la válvula de control de gas. La Fig. 37 muestra la ubicación del regulador.

FIG. 37



EN EL EJEMPLO SE MUESTRA LA PRESIÓN PARA EL GAS PROPANO.
SIEMPRE CONSULTE LA PRESIÓN EN LA PLACA DE DATOS

D. Finalización

1. Una vez que se confirmen y ajusten de manera adecuada las presiones de entrada y del colector del quemador, cierre la válvula de suministro de combustible del calefactor y deje que este consuma el gas restante en la línea de suministro.
2. Desconecte el calefactor de su suministro eléctrico.
3. Quite los manómetros y las mangueras de conexión.
4. Coloque los tapones de presión y ajústelos bien. Verifique que no existan fugas de gas.

Guía de resolución de problemas

LEA TODA ESTA SECCIÓN ANTES DE COMENZAR A RESOLVER PROBLEMAS.



ADVERTENCIA

- Este calefactor puede encenderse en cualquier momento.
- Para resolver cualquier problema que presente este sistema, tal vez sea necesario hacer funcionar la unidad con voltaje de línea presente y el gas encendido. Proceda con extrema precaución al trabajar en el calefactor.
- El incumplimiento de esta advertencia podría derivar en situaciones de daños materiales, lesiones o muerte.

En la siguiente guía de resolución de problemas se proporcionan procedimientos para el aislamiento de problemas del equipo. Esta guía está orientada a PERSONAS CALIFICADAS EN MANTENIMIENTO DE CALEFACTORES A GAS. **NO INTENTE REALIZAR EL MANTENIMIENTO AL CALEFACTOR A MENOS QUE HAYA RECIBIDO LA CAPACITACIÓN ADECUADA.**

SE NECESITA EQUIPOS DE PRUEBA

Se necesitarán los siguientes equipos de prueba para resolver cualquier problema que presente este sistema con el mínimo tiempo y esfuerzo.

- Multímetro digital: para medir voltajes y resistencias de CA y CC.
- Manómetro de presión baja: para verificar las presiones de entrada y salida de la válvula de control de gas con respecto a los valores de la placa de datos.
- Inspeccione el equipo visualmente en busca de daños evidentes.
- Verifique todo el cableado en busca de conexiones sueltas e indicios de desgaste en el aislamiento.

Consulte la secuencia de funcionamiento del sistema que se incluye en esta sección para comprender cómo funciona el equipo durante una demanda de calor. Comprender la secuencia de funcionamiento es importante, ya que se relaciona con la resolución de problemas.

Junto al interruptor selector se encuentran cuatro luces verdes. Cada luz se activará en secuencia a medida que el control de encendido verifique el circuito asociado dentro del calefactor. Si no se verifica un circuito, la luz correspondiente no se activará. Los problemas más comunes del modo de calefacción se identifican cuando se APAGA una luz verde ante una falla específica. Sin embargo, también pueden

producirse otros dos problemas. Consulte la información que se ofrece a continuación.

Identifique el problema específico y luego consulte el diagrama de flujo de resolución de problemas correspondiente.

Problemas del modo de calefacción **Página**

La luz de estado de alimentación no se enciende.....	33
La luz de estado del transformador no se enciende.....	33
La luz de estado de comprobación de aire no se enciende.....	34
La luz de estado de control de gas no se enciende.....	35

Todas las luces se encienden, el motor del ventilador funciona y el quemador no se enciende .36

Todas las luces se encienden, a EXCEPCIÓN de la luz de la válvula de gas. El motor del ventilador no funciona y el quemador no se enciende.37

El calefactor se enciende, pero no permanece encendido.....37

Problemas del modo de ventilación **Página**

El motor no funciona.....	37
---------------------------	----

Los componentes deben reemplazarse solo luego de que cada paso se haya completado y se sugiera el reemplazo en el diagrama de flujo. Consulte las secciones sobre mantenimiento, según sea necesario, para obtener información sobre los procedimientos de desarmado y reemplazo del componente una vez identificado el problema a través del diagrama de flujo.

SECUENCIA DE FUNCIONAMIENTO DEL ENCENDIDO DIRECTO:

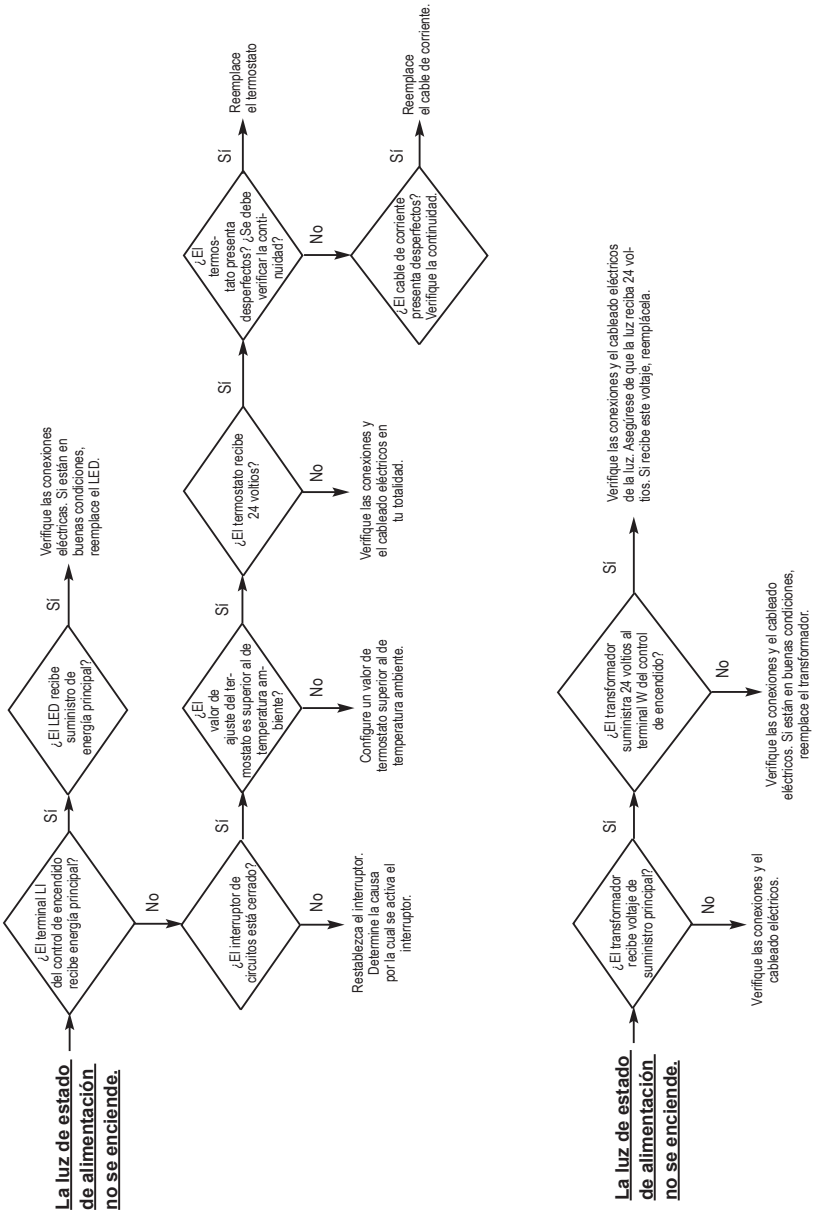
- El termostato demanda calor.
 - La luz de energía está activa e indica que el calefactor recibe el suministro de energía principal..
- Se envía voltaje de línea al interruptor selector.
- El interruptor selector envía voltaje de línea al transformador y al control de encendido.
- El transformador reduce el voltaje de línea a 24 voltios. Este se envían al control de encendido.
 - La luz del transformador se activa, lo cual indica que el control de encendido recibe 24 voltios del transformador.
- El módulo de control de encendido realiza una verificación automática de seguridad.
- El motor se enciende.
- El módulo de control de encendido envía 24 voltios al interruptor de comprobación de aire.

- Se prueban los componentes internos.
- Se verifica y comprueba el circuito de comprobación de aire.
- El módulo control de encendido inicia la secuencia de prueba de encendido.
- El interruptor de comprobación de aire se cierra y se devuelven 24 voltios al módulo de control de encendido.
 - Se activa la luz del interruptor de comprobación de aire, lo cual indica que el circuito de comprobación de aire funciona correctamente.
- El módulo de control de encendido envía alto voltaje al electrodo del encendedor.
 - El encendedor produce chispas.
- El módulo de control de encendido envía 24 voltios al control de gas a través del interruptor de límite superior.
 - Se activa la luz de la válvula de gas, lo cual indica que esta recibe 24 voltios.
 - La válvula de control de gas se abre. - Se produce el encendido.
- El encendedor sigue produciendo chispas hasta que se comprueba la llama.
 - La chispa de encendido se apaga.
 - La válvula de gas permanece abierta.
- El ambiente se calienta hasta la temperatura deseada.
 - El termostato está abastecido.
 - El calefactor se apaga.
- Se inicia nuevamente el proceso con la demanda de calor.

SECUENCIA DE FALLA EN EL ENCENDIDO:

- Existen tres intentos de encendido. Cada intento dura 10 segundos.
- Si la llama del quemador no queda encendida al finalizar el tercer intento, se activa el bloqueo de seguridad del módulo.
 - La válvula de gas se cierra.
 - La chispa de encendido se apaga.
 - El motor del ventilador se detiene.
- **Para realizar otro intento de encendido, los sistemas deben reiniciarse:**
 - Gire el termostato hacia abajo y luego hacia arriba para solicitar calor, desenchufe y vuelva a enchufar el calefactor o
 - mueva el interruptor selector hasta la posición de apagado y luego nuevamente hasta la de encendido.

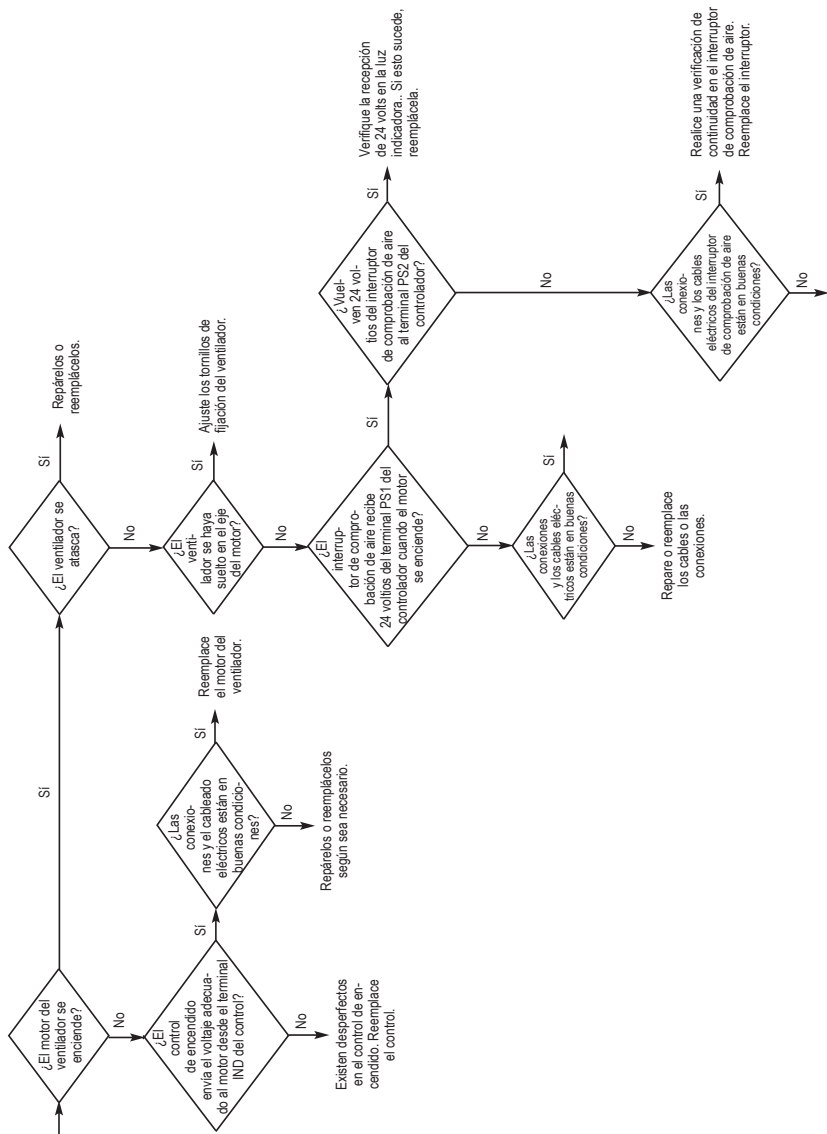
MODO DE CALEFACCIÓN: Funcionamiento normal → **Todas las luces están ENCENDIDAS.**



La luz de estado de alimentación no se enciende.

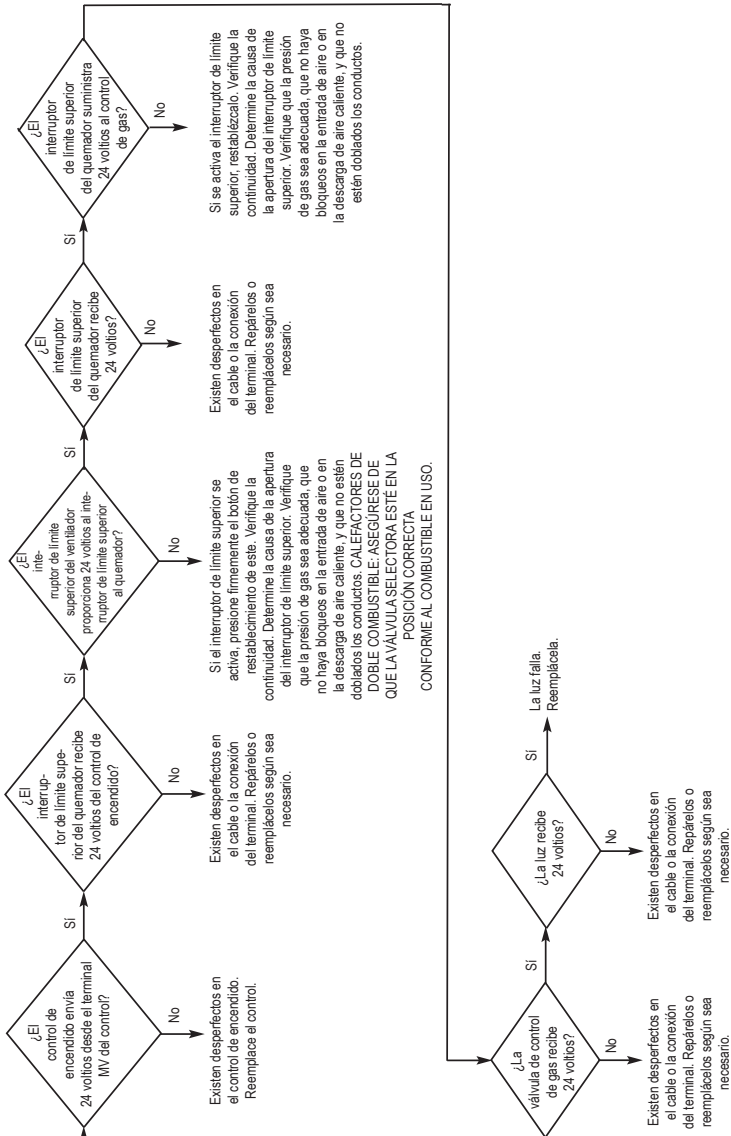
La luz de estado de alimentación no se enciende.

La luz de estado de comprobación de aire no se enciende.

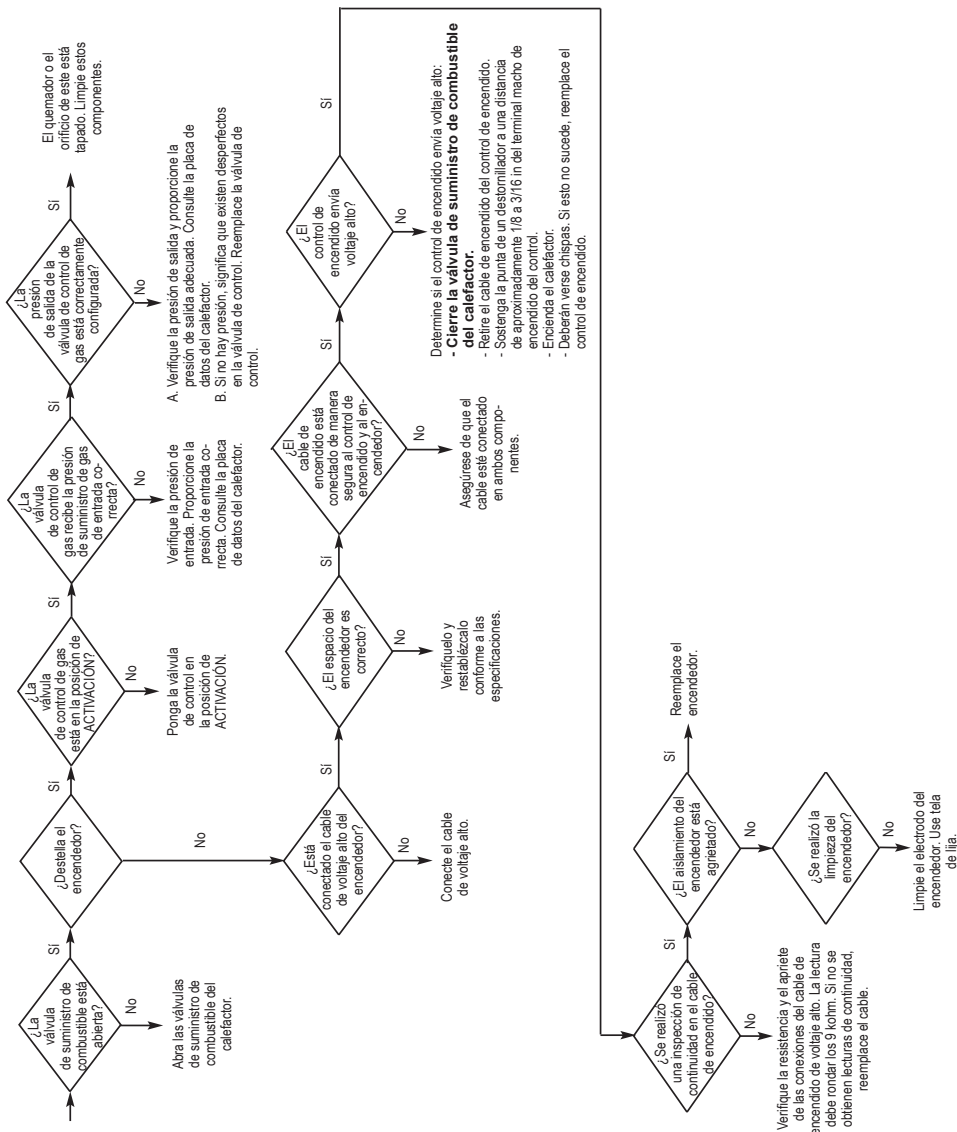


Repárelos o reemplácelos los cables y las conexiones según sea necesario.

La luz de estado de control de gas no se enciende.



Todas las luces se encienden. El motor del ventilador funciona pero el quemador no se enciende.



Todas las luces se encienden, a EXCEPCIÓN de la luz de la válvula de gas. El motor del ventilador no funciona y el quemador no se enciende.

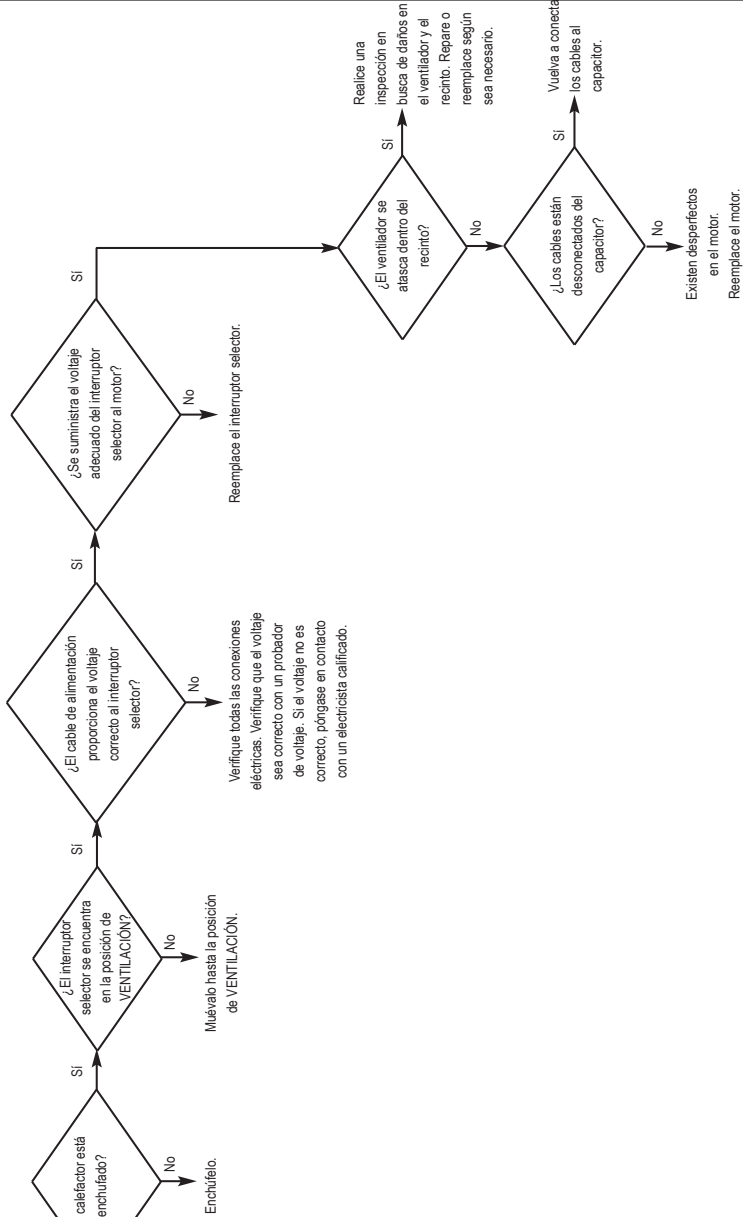
Se produjo una falla en la posición de cierre del interruptor de comprobación de aire o el brazo de este se atasca contra el panel lateral del recinto del ventilador. Si el brazo no se atasca, reemplace el interruptor.

Todas las luces están encendidas. El quemador se enciende, pero no permanece encendido.

El problema se debe a deficiencias en la detección de llama o a desperfectos relacionados con esta. Realice una inspección en busca de agrietamiento o suciedad en el sensor de llama. Imperfecciones en el posicionamiento de este o deficiencias en la conexión a tierra del suministro eléctrico. (Para que el calefactor funcione de manera continua, el suministro eléctrico debe contar con conexión a tierra).

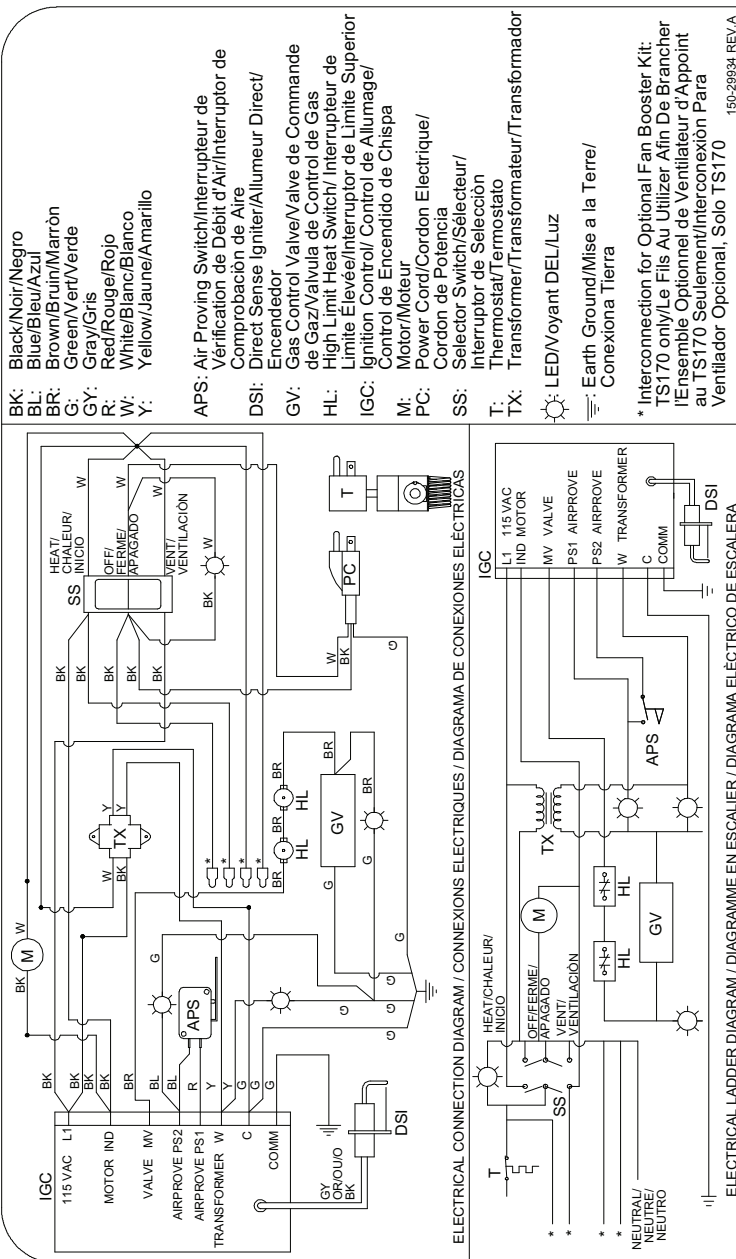
MODO DE VENTILACIÓN:

Problema
El motor no funciona.



⚠ PRECAUCIÓN

Siempre consulte el diagrama de conexión eléctrica durante el servicio para evitar errores de cableado y el mal funcionamiento del calefactor. Verifique que el funcionamiento sea correcto después del servicio.



ELECTRICAL CONNECTION DIAGRAM / CONEXIONES ELÉCTRICAS / DIAGRAMA DE CONEXIONES ELÉCTRICAS

ELECTRICAL LADDER DIAGRAM / DIAGRAMME EN ESCALIER / DIAGRAMA ELÉCTRICO DE ESCALERA

IF ANY OF THE ORIGINAL WIRING AS SUPPLIED WITH THE HEATER MUST BE REPLACED, IT MUST BE REPLACED WITH WIRING MATERIAL HAVING A TEMPERATURE RATING OF AT LEAST 302F (150°C). SI SE DEBE CAMBIAR CUALQUIER CABLE ORIGINAL PROPORCIONADO CON EL APARATO, SE DEBE CAMBIAR POR UN CABLE CON UNA CLASIFICACION DE TEMPERATURA DE AL MENOS 302F (150°C).

Función de los componentes del calefactor

Interruptor de comprobación de aire

Dispositivo de seguridad empleado para asegurarse de lograr el flujo de aire adecuado antes de la apertura de la válvula de gas.

Quemador

Componente de hierro fundido empleado para canalizar el gas y ofrecer un lugar donde se puede encender el combustible.

Orificio del quemador

Dispositivo de medición de latón empleado para suministrar gas al quemador a una velocidad específica.

Módulo de control de encendido de chispa directa

Placa de circuitos electrónicos impresos que envía voltaje a varios controles en un sistema de encendido automático y recibe voltaje de estos. Una característica de seguridad importante de la placa de control es que apaga por completo el calefactor, y con ello detiene el flujo de gas combustible, si la llama del quemador se apaga.

Recinto del ventilador

Cámara empleada para proporcionar aire a fin de ofrecer un movimiento de aire eficaz.

Turbina

Componente empleado en conjunto con el recinto del ventilador y el motor para llevar el aire caliente del calefactor y soplarlo hacia ambiente para calefacción (también se conoce como jaula de ardilla).

Válvula de control de gas

Dispositivo eléctrico que consiste en un regulador de baja presión y solenoides eléctricos que se usan para controlar el flujo de gas del conjunto del quemador. Una característica de la válvula de control es un cierre de gas incorporado que se usa para aislar el calefactor del suministro de gas durante el servicio.

Manguera de gas

Conector flexible empleado para conducir gas desde la línea de suministro del edificio al calefactor.

Válvula selectora de gas

Permite una fácil conversión de gas, en función del gas que se suministra en el lugar de trabajo. Elimina la necesidad de cambiar el orificio del quemador. (Disponible únicamente para calefactores de doble combustible).

Cámara de calor

Cámara de combustión metálica situada dentro del artefacto que ofrece un área donde la llama del quemador se mezcla con el aire de combustión y, por lo tanto, suministra calor.

Interruptor de límite superior

Dispositivo de seguridad cableado en el sistema de control que se usa para interrumpir un circuito eléctrico a la válvula de control de gas en caso de recalentamiento. (Todos los calefactores Premier tienen dos interruptores de límite).

Encendedor

Dispositivo de encendido empleado en los sistemas de control de encendido de chispa directa automática. Enciende el gas mediante chispa.

Motor

Dispositivo eléctrico empleado para forzar el aire precalentado a través del calefactor y hacer circular el calor en una zona determinada. Convierte la energía eléctrica en energía mecánica.

Regulador

Dispositivo mecánico empleado en sistemas de distribución de gas para reducir una presión de entrada mayor a una presión más baja preestablecida. El regulador es responsable de suministrar una presión de salida continua al calefactor independientemente de los cambios en la presión de entrada, la demanda del calefactor y las condiciones climáticas.

Interruptor selector

Dispositivo eléctrico que se emplea para permitir que el usuario final use el calefactor en una aplicación de calefacción o ventilación.

Luces de estado

Diodo emisor de luz (LED) verde conectado al circuito eléctrico. A través de una señal fácilmente reconocible, indica que el calefactor funciona.

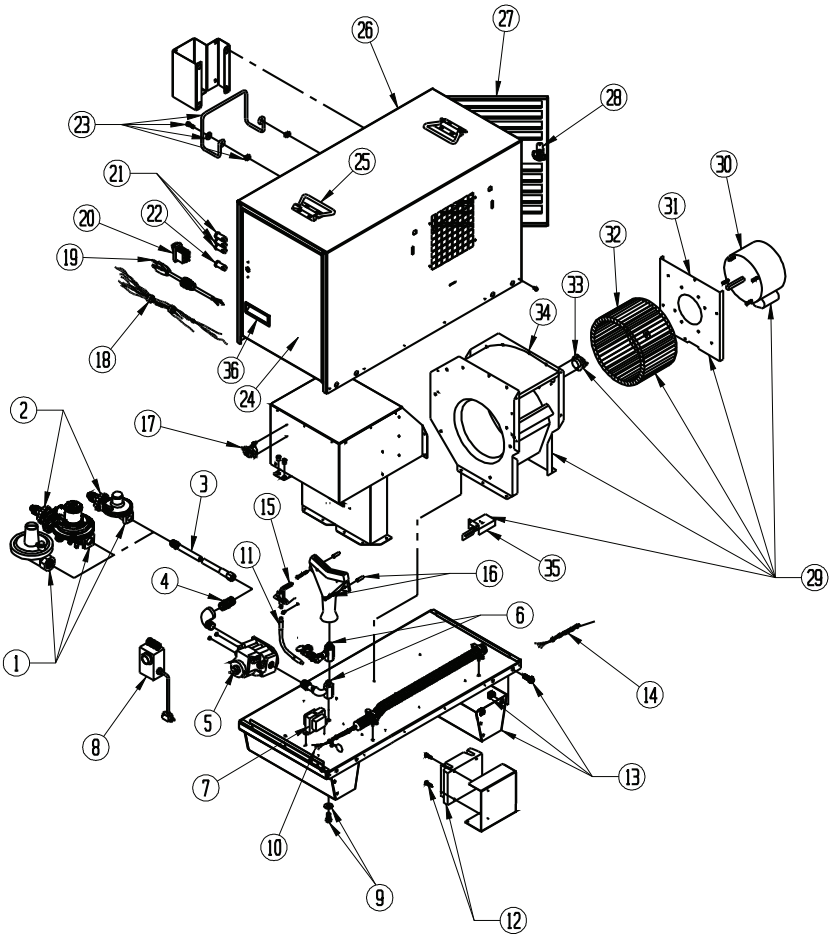
Termostato

Dispositivo eléctrico empleado como interruptor automático de encendido y apagado. Responde a los cambios de temperatura en una zona determinada. Se puede cablear de modo que sus contactos se abran o cierren ante el aumento o la disminución de la temperatura.

Transformador

Control eléctrico empleado para aceptar voltaje de suministro principal de línea y reducirlo a voltaje secundario más reducido para el funcionamiento de determinados sistemas de control.

Diagrama de identificación de piezas de mantenimiento

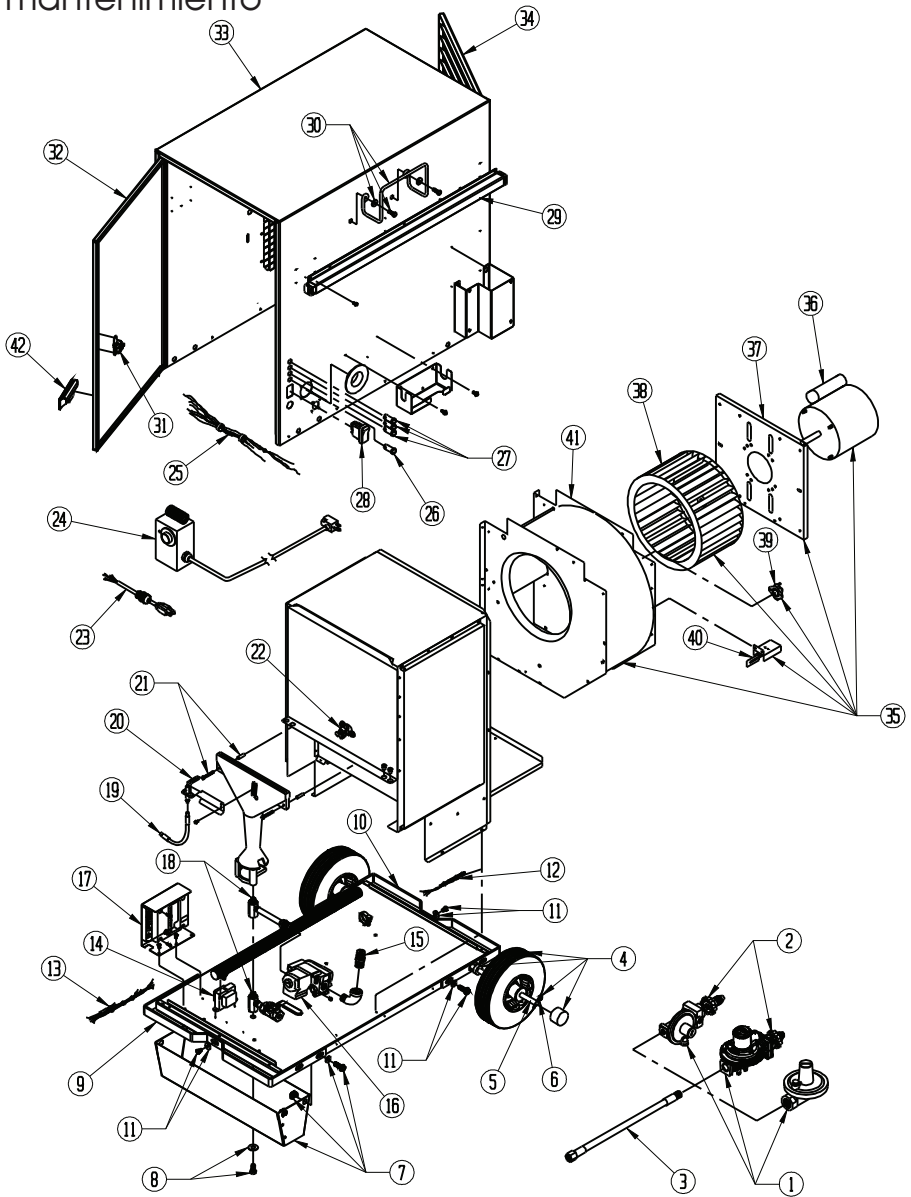


Ítem	Descripción	Pieza número	
1	Regulador	Gas propano	26377
		Gas natural	21999
		Doble combustible	573610
2	Rueda manual con resorte	Gas propano/Doble combustible	26395
3	Juego de manguera universal, manguera de 15 ft/4,57 m con adaptadores		24600
4	Adaptador, manguera NPT de 1/2 x 5/8-18		06655

Lista de piezas: Premier 80 de gas PL, gas natural y doble combustible

Ítem	Descripción	Pieza número	
5	Válvula, control de gas:	Gas propano/Doble combustible	522076
		Gas natural	522078
6	Orificio, quemador	Gas propano	571625
		Gas natural	571626
		Doble combustible	573611
7	Transformador	26412	
8	Juego de termostato con cable de 20 ft/6,10 m	09454	
9	Arandela	25866	
10	Mazo de cables, cable, quemador	26383	
11	Cable, encendedor	25840	
12	Control de encendido	25865	
13	Pata de soporte	26378	
14	Mazo de cables, cable, motor	26382	
15	Encendedor	571662	
16	Tornillería de montaje del quemador	570211	
17	Interruptor, límite superior, quemador (275 °F)	503933	
18	Mazo de cables, cable y luces de estado	26381	
19	Cable de corriente	26379	
20	Interruptor, selector	26385	
21	Luz, estado, 24 voltios	26392	
22	Luz, estado, 120 voltios	26393	
23	Soporte, manguera	571619	
24	Conjunto de puerta, quemador	573453	
25	Manija, parte superior de la tapa	571628	
26	Conjunto de caja	573455	
27	Conjunto de puerta, ventilador	573457	
28	Pestillo, puerta	26437	
29	Conjunto de recinto del ventilador con motor, ventilador, interruptores de límite superior y comprobación de aire	26384	
30	Motor	520292	
31	Montaje del motor	571686	
32	Ventilador	570304	
33	Interruptor, límite superior, ventilador (250 °F)	571671	
34	Recinto, ventilador	571612	
35	Interruptor, comprobación de aire	26485	
36	Manija, apertura de puerta	26479	

Diagrama de identificación de piezas de mantenimiento



Lista de piezas: Premier 170 de gas PL, gas natural y doble combustible

Ítem	Descripción	Pieza número	
1	Regulador	Gas propano	26419
		Gas natural	09795
		Doble combustible	26423
2	Rueda manual con resorte	Gas propano/Doble combustible	26395
3	Juego de manguera universal, manguera de 15 ft/4,57 m con adaptadores		24600
4	Juego de rueda		26418
5	Juego de eje		26415
6	Pasador de retención		26417
7	Juego de soportes de patas		26413
8	Perno y arandela		25866
9	Manija, soporte, quemador		26426
10	Manija, soporte, motor		26427
11	Tuerca, perno y arandela		26443
12	Mazo de cables, motor		26406
13	Mazo de cables, quemador y control de gas		26407
14	Transformador		26412
15	Adaptador, manguera, NPT de 1/2 x 5/8-18	Gas propano/Doble combustible	06655
		Gas natural	25873
16	Válvula, control de gas:	Gas propano	522076
		Gas natural	522078
		Doble combustible	25831
17	Control de encendido		25865
18	Orificio	Gas propano	21573
		Gas natural	571624
		Doble combustible	25870
19	Cable, encendedor		25840
20	Encendedor		571662
21	Tornillería de montaje del quemador		570211
22	Interruptor, límite superior, quemador (275 °F)		503933
23	Cable, alimentación		26379
24	Juego de termostato con cable de 20 ft/6,10 m		09454
25	Mazo de cables, luces de estado		26408
26	Luz, estado, 120 voltios		26393
27	Luz, estado, 24 voltios		26392
28	Interruptor, calor y ventilación, basculante		26385

Ítem	Descripción	Pieza número
29	Manija, deslizable	571760
30	Soporte, manguera	571619
31	Pestillo, puerta	26437
32	Puerta, quemador	573458
33	Conjunto de caja	573460
34	Puerta, tipo persiana, motor	573462
35	Conjunto de recinto del ventilador con motor, ventilador, interruptores de límite superior y comprobación de aire	26439
36	Motor	520169
37	Montaje, motor	25835
38	Ventilador	570481
39	Interruptor, límite superior, motor (190 °F)	571400
40	Interruptor, comprobación de aire	09925
41	Recinto, ventilador	26440
42	Manija, puerta	26479

Notas

Política de garantía

CALEFACTOR

L.B. White Co., Inc. garantiza que las piezas de su calefactor estarán libres de defectos en los materiales y la mano de obra cuando se instalen, se hagan funcionar y se sometan a mantenimiento apropiadamente conforme a las Instrucciones de instalación y mantenimiento, las guías de seguridad, y las etiquetas de cada unidad. Si dentro de los 24 meses a partir de la fecha de compra por parte del usuario final se encuentran defectos en algún componente, L.B. White Co., Inc., según su criterio, reparará la pieza o el calefactor defectuosos o los reemplazará por una piezas o un calefactor nuevo, LAB (Onalaska, Wisconsin).

Al registrar su producto en línea con L.B. White habilitará automáticamente la garantía para una unidad y sus piezas. Si un producto no se registra en L.B. White, se requerirá una copia de la factura de venta a fin de establecer la calificación para la garantía. Si nada de lo anterior está disponible, el periodo de garantía será de 24 meses a partir de la fecha del envío por parte de L.B. White.

PIEZAS

L.B. White Co., Inc. garantiza que las piezas de repuesto compradas a la empresa y usadas en el correspondiente equipo L.B. White están libres de defectos tanto de materiales como de mano de obra durante 24 meses a partir la fecha de compra por parte del usuario final. La garantía es automática si se encuentra que un componente está defectuoso dentro de los 24 meses del código de fecha marcado en la pieza. Si el defecto ocurre más de 24 meses después del código de fecha pero dentro de los 24 meses de la fecha de compra por el usuario final, se solicitará una copia de la factura de venta para que quede habilitada la garantía.

La garantía descrita arriba es la garantía exclusiva otorgada por L.B. White, y cualquier otra garantía, incluida cualquier garantía implícita o comerciabilidad o idoneidad para un propósito en particular, queda expresamente denegada. En el caso de cualquier garantía implícita que no esté eficazmente denegada en el presente documento por efecto de la ley, tal garantía implícita está limitada en tiempo a la duración de la correspondiente garantía mencionada arriba. Los recursos establecidos arriba

son los recursos exclusivos disponibles conforme al presente documento. L.B. White no será responsable por ninguno de los daños y perjuicios incidentales o emergentes directa o indirectamente en relación con la venta, la manipulación o el uso del equipo, y en todo caso la responsabilidad de L.B. White con respecto al equipo, incluidos reclamos basados en negligencia o responsabilidad estricta, está limitada al precio de compra.

Algunos estados no permiten limitaciones respecto de la duración de una garantía implícita. Por lo tanto, la limitación de arriba podría no aplicarse a usted.

Algunos estados no permiten la exclusión o limitación de daños y perjuicios incidentales o emergentes; por lo tanto, la limitación o exclusión de arriba podría no aplicarse a usted. Esta garantía le otorga derechos legales específicos, y usted también podría tener otros derechos que varían de un estado a otro.

Para registrar su producto y asegurarse de contar con la garantía completa, visite: http://www.lbwhite.com/customer_care_center/product-registration/. Por favor, tenga a mano el número o los números de serie y modelo de los productos que registrará.

Mantenimiento

Póngase en contacto con su distribuidor local de L.B. White para acceder a repuestos y servicio. También puede llamar a L.B. White Co., Inc. al 1-800-345-7200, para recibir ayuda, o enviar un correo electrónico a customerservice@lbwhite.com.

Cuando llame, asegúrese de contar con el número de modelo del calefactor y el número de configuración.



PROVEEDOR MUNDIAL; SOLUCIONES INNOVADORAS DE CALEFACCIÓN

411 Mason Street, Onalaska, WI 54650

800-345-7200 • 608-783-5691

608-783-6115 (fax)

www.lbwhite.com



Premier Fornaises gainables

TS080	80 000 BTU/h/23,4 kW
TS170	170 000 BTU/h/49,8 kW
CS080	80 000 BTU/h/23,4 kW
CS170	170 000 BTU/h/49,8 kW

Soutirage de la vapeur des gaz de pétrole
liquéfiés ou du gaz naturel
Bicarburant

Consulter ce manuel en ligne à l'adresse www.lbwhite.com

Attention

Cet appareil a été testé et évalué par les laboratoires d'essais CSA Group conformément aux exigences de la norme ANSI Z83.7-2011/CSA 2.14 de 2011 et il est coté et approuvé à titre de fournaise gainable de radiateur de construction à air pulsé à circulation indirecte alimentée au gaz avec une application pour le chauffage temporaire de bâtiments en cours de construction, de rénovation ou de réparation. En outre, l'application de cet appareil a été examinée et approuvée par le Groupe CSA pour les applications américaines et canadiennes de chauffage de tente avec occupation humaine temporaire. CONSULTEZ VOTRE SERVICE D'INCENDIE LOCAL, VOTRE FOURNISSEUR DE GAZ COMBUSTIBLE LOCAL, OU LA SOCIÉTÉ LB WHITE SI VOUS AVEZ DES QUESTIONS CONCERNANT LES APPLICATIONS.

www.lbwhite.com

CONSULTEZ LES
INSTRUCTIONS
D'ASSEMBLAGE
À L'INTÉRIEUR

Veillez vous référer à l'information d'élévation se trouvant sur la face intérieure de la couverture.

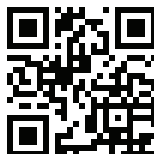


Félicitations!

Vous avez acheté la meilleure fournaise à circulation agricole disponible sur le marché.

Votre nouvelle fournaise L.B. White intègre les avantages du fabricant de produits de chauffage le plus expérimenté qui utilise une technologie de pointe.

L'équipe de L.B. White vous remercie de la confiance que vous accordez à nos produits et indique qu'elle est ouverte à vos suggestions ou vos commentaires, pour se faire, communiquez avec nous au 1 800 345-7200, ou par courriel à l'adresse customerservice@lbwhite.com.



NUMÉRISER CECI

avec votre téléphone intelligent ou
Visiter le site <http://goo.gl/nvneR>
pour y voir des vidéos d'entretien
pour les fournaises L.B. White*.

* Nécessite une application
comme QR Droid pour Android
ou iPhone

FOURNISSEUR MONDIAL - SOLUTIONS INNOVANTES DE CHAUFFAGE

411 Mason Street, Onalaska, WI 54650 • 1 800 345-7200 • 608 783-5691 • 608 783-6115 (télécopieur) • www.lbwhite.com

TABLE DES MATIÈRES

Spécifications de la fournaise.....	4
Renseignements généraux.....	5
Consignes de sécurité.....	6
Instructions d'installation	
Généralité.....	9
Dimensionnement de l'alimentation en gaz propane.....	11
Poignée coulissante (Premier 170).....	12
Porte-tuyau, support de rangement du régulateur et support de rangement du thermostat ..	12
Ensemble de roues, pattes & poignée de levage (Premier 170).....	13
Ensemble de pattes (Premier 80).....	13
Ensemble de tuyau et de régulateur.....	14
Raccordement du thermostat.....	14
Trousse de conduite.....	15
Ensemble de l'unité de diffusion.....	16
Ensemble du diffuseur final.....	17
Connexion du régulateur à l'approvisionnement en gaz	
Fournaises Premier 80 et 170 fonctionnant aux gaz de pétrole liquéfiés et au gaz naturel....	18
Fournaises Premier 80 et 170 fonctionnant au bicarburant.....	18
Instructions de démarrage.....	20
Instructions d'arrêt.....	21
Robinet de sélection de gaz (fournaises au bicarburant).....	21
Instructions de nettoyage.....	22
Instructions de maintenance.....	23
Instructions d'entretien courant	
Généralité.....	24
Moteur et roue de ventilateur.....	24
Interrupteur de vérification d'air.....	25
Ensemble allumeur/capteur de flamme.....	25
Limiteur de température manuel.....	26
Orifice du brûleur et robinet de réglage du gaz.....	27
Commande d'allumage.....	28
Transformateur.....	28
Vérifications de la pression du gaz.....	29
Information de dépannage.....	31
Raccordement électrique et diagramme en échelle, TS080/170.....	38
Fonction du composant de la fournaise.....	39
Identification des pièces	
Schémas des pièces et liste des pièces	
Premier 80, gaz de pétrole liquéfiés, gaz naturel, et bicarburant.....	41 et 42
Premier 170, gaz de pétrole liquéfiés, gaz naturel et bicarburant.....	43 et 44
Politique de garantie.....	47
Pièces de rechange et service courant.....	47

**AVERTISSEMENT**

Les produits standards sont fabriqués pour fonctionner de façon optimale à des altitudes comprises entre 0 et 610 m (0 et 2 000 pieds) au-dessus du niveau de la mer.

En cas d'utilisation à des altitudes plus élevées, le produit ne fonctionnera pas correctement et pourrait même devenir dangereux.

Des produits offrant un fonctionnement adéquat pour convenir à des niveaux d'altitude différents peuvent être disponibles.

Si vous avez besoin d'un produit pour haute altitude, que vous ne l'avez pas précisé au moment de la commande ou que la boîte de cet appareil ne comportait aucune étiquette de désignation de l'altitude, communiquer avec l'équipe de l'assurance technique.

**MISES EN GARDE GÉNÉRALES**

LE NON-RESPECT DES MISES EN GARDE ET DES INSTRUCTIONS FOURNIES AVEC CE RADIATEUR PEUT ENTRAÎNER LA MORT, DE GRAVES BLESSURES ET DES PERTES MATÉRIELLES OU DES DOMMAGES À LA PROPRIÉTÉ RÉSULTANT D'UN INCENDIE, D'UNE EXPLOSION, DE BRÛLURES, D'ASPHYXIE, D'EMPOISONNEMENT AU MONOXYDE DE CARBONE ET/OU D'UN CHOC ÉLECTRIQUE. SEULES LES PERSONNES APTES À COMPRENDRE ET À SUIVRE LES INSTRUCTIONS DEVRAIENT SE SERVIR DE CE RADIATEUR OU LE RÉPARER. SI VOUS AVEZ BESOIN D'AIDE OU D'INFORMATIONS CONCERNANT CE RADIATEUR, SOIT UNE NOTICE D'INSTRUCTIONS, UNE ÉTIQUETTE, ETC., PRIÈRE DE COMMUNIQUER AVEC LE FABRICANT LES MANUELS DU PROPRIÉTAIRE ET LES ÉTIQUETTES DE REMPLACEMENT SONT DISPONIBLES SANS FRAIS. CONSULTER LE SITE, OU POUR OBTENIR DE L'ASSISTANCE, COMMUNIQUER AVEC LB WHITE AU 1-800-345-7200.

**AVERTISSEMENT**

- UNE PRESSION D'ALIMENTATION EN GAZ ADÉQUATE DOIT ÊTRE FOURNIE À L'ENTRÉE DE LA FOURNAISE.
- REPORTEZ-VOUS À LA PLAQUE DE DONNÉES POUR CONNAÎTRE LA PRESSION D'ALIMENTATION EN GAZ.
- UNE PRESSION DE GAZ SUPÉRIEURE À LA PRESSION D'ENTRÉE MAXIMALE PRÉCISÉE À L'ENTRÉE DE LA FOURNAISE PEUT PROVOQUER DES INCENDIES OU DES EXPLOSIONS.
- DES INCENDIES OU DES EXPLOSIONS PEUVENT ENTRAÎNER DES BLESSURES GRAVES VOIRE MORTELLES, OU DES DOMMAGES MOBILIERS.
- UNE PRESSION DE GAZ INFÉRIEURE À LA PRESSION D'ENTRÉE MINIMALE PRÉCISÉE À L'ENTRÉE DE LA FOURNAISE PEUT PROVOQUER UNE MAUVAISE COMBUSTION.
- UNE MAUVAISE COMBUSTION PEUT MENER À L'ASPHYXIE OU À L'EMPOISONNEMENT AU MONOXYDE DE CARBONE ET DES BLESSURES GRAVES VOIRE MORTELLES.

**AVERTISSEMENT****DANGER D'INCENDIE ET D'EXPLOSION**

- NE PAS UTILISER DANS UNE MAISON OU UN VÉHICULE DE CAMPING.
- L'INSTALLATION DE CETTE FOURNAISE DANS UNE MAISON OU UN VÉHICULE RÉCRÉATIF PEUT PROVOQUER UN INCENDIE OU UNE EXPLOSION.
- LES INCENDIES ET LES EXPLOSIONS PEUVENT CAUSER DES DOMMAGES MATÉRIELS ET LA MORT.

**AVERTISSEMENT****RISQUE D'INCENDIE, DE BRÛLURES, D'INHALATION ET D'EXPLOSION**

GARDER LES COMBUSTIBLES SOLIDES, TELS LES MATÉRIAUX DE CONSTRUCTION, LE PAPIER ET LE CARTON, À BONNE DISTANCE DE CE RADIATEUR, COMME IL EST RECOMMANDÉ DANS LES INSTRUCTIONS. NE JAMAIS UTILISER CET APPAREIL DANS DES ENDROITS QUI CONTIENNENT OU POURRAIENT CONTENIR DES COMBUSTIBLES VOLATILES OU EN SUSPENSION DANS L'AIR TELS L'ESSENCE, LES SOLVANTS, LES DILUANTS POUR PEINTURE, LES PARTICULES DE POUSSIÈRES OU DES PRODUITS CHIMIQUES INCONNUS.

POUR VOTRE SÉCURITÉ

Ne pas entreposer ou utiliser de l'essence ou d'autres vapeurs et liquides inflammables à proximité de cet appareil ou de tout autre appareil.

POUR VOTRE SÉCURITÉ

Si vous sentez une odeur de gaz :

1. Ouvrir les fenêtres.
2. Ne pas toucher aux interrupteurs électriques.
3. Éteindre toute flamme nue.
4. Appeler immédiatement votre fournisseur de gaz.

Caractéristiques

		TS080		CS080DF		TS170		CS170DF	
Type de carburant		Propane	Naturel	Propane	Naturel	Propane	Naturel	Propane	Naturel
Entrée maximale (BTU/h/kWh)		80 000/23,4				170 000/49,8			
Pression d'admission du brûleur (po de colonne d'eau/kPa)		10,0/2,49	4,0/1,0	10,0/2,49	10,0/2,49	4,0/1,0	5,4/1,34	5,5/1,37	
Pression d'alimentation en gaz acceptable à l'entrée de la fournaise à des fins d'ajustement (max.) de l'entrée (po de colonne d'eau/kPa)	MAX.	13,5/3,36							
	MIN.	12,0/2,99	8,0/1,99	11,0/2,74	11,0/2,74	7,0/1,74	7,0/2,74		
Consommation de carburant par heure	Propane (lb/kg)	3,71/1,68				7,88/3,5			
	Gaz naturel (pi ³ /m ³)	80/2,27				70/4,81			
Caractéristiques du moteur	Roulement à billes								
	1/8 H.P. /93 Watts 1 100 tr/m					13 REV.A /248 Watts 1 100 tr/m			
Alimentation électrique (Volts/Hz/Phase)	120/60/1								
Consommation en ampère	Au démarrage	5,0				7,3			
	Fonctionnement continu	1,5				5,0			
Dimensions (pouces/cm) LxLxH	29,5 x 13,5 x 20/75 x 34 x 51					30,75 x 18,25 x 28,25/78 x 46,3 x 71,7			
Distances minimales de sécurité des plus proches matériaux combustibles (pieds/mètres)	Partie supérieure	1/0,3							
	Côtés	1/0,3							
	Arrière	1/0,3							
	Sortie du ventilateur	6/1,83							
	Alimentation en gaz	Gaz propane – États-Unis : 6/1,83 Canada : 3,05 Gaz naturel – S. o.							
Température ambiante minimale dans laquelle la fournaise peut être utilisée	-20 °F/-29 °C								

Renseignements généraux

Ce manuel du propriétaire comprend des accessoires fréquemment utilisés avec cette fournaise. Ces accessoires doivent être commandés séparément.

Lors d'un appel de service technique, ou pour obtenir toute autre information précise, **toujours** avoir le numéro de modèle, le numéro de configuration et le numéro de série sous la main. Cette information est inscrite sur la plaque signalétique.

Ce manuel vous présente le fonctionnement et l'entretien de votre appareil. Lire ce manuel avec votre installateur afin de vous assurer de bien comprendre la fournaise et son fonctionnement.

Communiquer avec votre distributeur L.B. L.B. White local ou L.B. White Co., Inc. pour obtenir de l'aide ou pour obtenir des réponses à vos questions relatives à l'utilisation de l'équipement ou de son application.

La société L.B. White Co., Inc. dispose d'une politique d'amélioration continue de ses produits. La société se réserve le droit de modifier les spécifications et la conception sans préavis.

Précautions de sécurité



AVERTISSEMENT

DANGER D'ASPHYXIE

- Ne pas utiliser cet appareil de chauffage pour chauffer des logements humains, des garages, des ateliers ou d'autres espaces confinés.
- Ne pas utiliser dans les zones non ventilées.
- Le débit de combustion et l'air de ventilation ne doivent pas être obstrués.
- De l'air de ventilation adéquat doit être prévu pour soutenir les besoins en air de combustion de la fournaise étant utilisée.
- L'absence d'une ventilation convenable se traduira par une mauvaise combustion.
- Une mauvaise combustion peut mener à une intoxication au monoxyde de carbone, ce qui peut se traduire par des blessures graves voire mortelles.

Parmi les symptômes de l'intoxication au monoxyde de carbone, on trouve des maux de tête, des étourdissements et des difficultés à respirer.

- De l'air de ventilation adéquat à des fins de combustion doit être fourni conformément à la norme OSHA 29 CFR 1926.154, pour les appareils de chauffage temporaires, la norme ANSI A10.10, Exigences en matière de sécurité pour les appareils de chauffage d'espace temporaires et portables, ou la norme CAN/CSA B149.1 du Code d'installation du gaz naturel et du propane, le cas échéant.

Odeur de gaz combustible

Des odorants artificiels sont ajoutés au gaz propane et au gaz naturel précisément pour permettre la détection de fuites de gaz combustible.

Si une fuite de gaz combustible se produit, vous devriez être en mesure de la sentir. C'EST VOTRE SIGNAL DE PRENDRE IMMÉDIATEMENT DES MESURES!

- Ne rien faire qui pourrait enflammer le gaz combustible. Ne pas faire fonctionner les commutateurs électriques. Ne pas tirer sur les câbles d'alimentation ou les rallonges. Ne pas allumer d'allumettes ou toute autre source de flamme. Ne pas utiliser votre téléphone.
- Évacuer tout le bâtiment et éloigner immédiatement les gens de la zone.
- Fermer tous les robinets d'alimentation en carburant.
- Le gaz propane est plus lourd que l'air et peut se déposer au sol. Lorsque vous avez des raisons de soupçonner une fuite de propane, rester à l'écart de toutes les zones basses.
- Utiliser le téléphone de votre voisin et appeler votre fournisseur de gaz ainsi que votre service d'incendie. Ne pas entrer de nouveau dans le bâtiment ou la zone.
- Rester à l'extérieur du bâtiment et demeurer à l'écart de la zone jusqu'à ce qu'ils soient déclarés sûrs par les pompiers et par votre fournisseur de gaz combustible.
- ENFIN, laisser le technicien en gaz combustible et les pompiers vérifier d'où le gaz s'échappe. Leur demander d'aérer le bâtiment et la zone avant d'y retourner. Un technicien correctement formé doit réparer la fuite, vérifier s'il y a d'autres fuites, puis rallumer la fournaise pour vous.

Dissipation de l'odeur- Aucune odeur détectée

- Certaines personnes ne peuvent pas bien sentir. Certaines personnes peuvent ne pas sentir l'odeur du produit chimique artificiel ajouté au gaz propane ou au gaz naturel. Vous devez déterminer si vous pouvez sentir la substance odorante se trouvant dans ces gaz combustibles.
- Apprendre à reconnaître l'odeur du gaz propane et du gaz naturel. Les revendeurs locaux de gaz propane et votre fournisseur local de gaz naturel (service public) seront plus qu'heureux de vous donner un dépliant « Grattez et sentez » Utilisez-le pour vous familiariser avec l'odeur de gaz combustible.
- Fumer peut diminuer votre odorat. Être autour d'une odeur pendant une certaine période peut avoir une incidence sur votre sensibilité à cette odeur particulière.
- L'odorant du gaz propane et du gaz naturel est incolore et l'intensité de son odeur peut disparaître dans certaines circonstances.
- S'il y a une fuite souterraine, le mouvement du gaz dans le sol peut filtrer l'odorant.
- À des niveaux différents, l'odeur du gaz propane peut différer en intensité. Puisque le gaz propane est plus lourd que l'air, il peut y avoir plus d'odeurs à des niveaux inférieurs.
- Toujours être sensible à la moindre odeur de gaz. Si vous continuez à détecter une odeur de gaz, et ce, peu importe son importance, traitez-la comme une fuite grave. Passer immédiatement à l'action comme indiqué précédemment.

Attention – Points capitaux à retenir!

- Le gaz propane et le gaz naturel ont une odeur particulière. Apprendre à reconnaître ces odeurs. (Se reporter aux rubriques « Odeur du gaz combustible » et « Dissipation de l'odeur » ci-dessus.
- Si vous n'avez pas reçu de formation adéquate en réparation et entretien de fournaises alimentées au gaz propane et au gaz naturel, ne pas tenter d'allumer la fournaise, d'effectuer des réparations ou de faire des ajustements à la fournaise sur un système d'alimentation en gaz propane ou en gaz naturel.
- Même si vous n'êtes pas correctement formé en entretien et réparation d'appareils de chauffage par rayonnement, vous devez TOUJOURS connaître les odeurs de gaz propane et de gaz naturel.
- Un test d'odeur effectué périodiquement autour de la fournaise ou à proximité de ses joints; c.-à-d. le tuyau, les raccords, etc., est une bonne mesure de sécurité à faire en tout temps. Si vous sentez une odeur, et ce peu importe son importance, communiquez IMMÉDIATEMENT AVEC VOTRE FOURNISSEUR DE GAZ COMBUSTIBLE. N'ATTENDEZ PAS!

1. Ne pas tenter d'installer, de réparer ou d'effectuer la maintenance de cette fournaise ou de la conduite d'alimentation en gaz, sauf si vous avez une formation permanente et des connaissances d'experts des fournaises au gaz.

QUALIFICATIONS NÉCESSAIRES POUR PROCÉDER À L'ENTRETIEN ET À L'INSTALLATION :

- a. Pour être un technicien en entretien et en réparation de fournaise au gaz qualifié, vous devez avoir été formé en l'entretien et en réparation de fournaise au gaz, et aussi avoir une expérience suffisante pour vous permettre de résoudre les problèmes, de remplacer des pièces défectueuses et de tester des fournaises afin de les mettre en état de fonctionnement normal et sécuritaire. Vous devez vous familiariser entièrement avec chaque modèle en lisant et en respectant les consignes de sécurité, les étiquettes, le manuel du propriétaire, etc. qui sont fournis avec chaque fournaise.
 - b. Pour être un technicien qualifié en installation de fournaise au gaz, vous devez disposer d'une formation et d'une expérience pertinentes pour gérer tous les aspects de l'installation, de la réparation et de la modification des conduites de gaz, y compris la sélection et l'installation de l'équipement approprié, ainsi que la sélection de la dimension adéquate du tuyau devant être utilisé. Cela doit être fait en conformité avec tous les codes locaux, provinciaux et nationaux ainsi qu'avec les exigences du fabricant.
2. Toutes les installations ou les applications des fournaises de L.B. White Co., doivent répondre aux exigences des codes locaux, provinciaux et nationaux en matière de gaz naturel, de gaz de pétrole liquéfiés, d'électricité et de sécurité. Vos fournisseur de gaz, électricien agréé local, service d'incendie local et organismes gouvernementaux peuvent vous aider à déterminer ces exigences. En l'absence de codes locaux, respecter les conditions suivantes :
 - a. Installations des États-Unis :
 - Norme NFPA 102 en matière de structures d'ensemble de siège, de tentes et de membranes.
 - Dernière révision de la norme ANSI/NFPA 58 en matière de stockage et de manipulation des gaz de pétrole liquéfiés ou
 - Norme ANSI Z223.1/NFPA 54, Code national du gaz combustible
 - Norme ANSI/NFPA 70, Code national de l'électricité.
 - b. Installations du Canada :
 - Normes CAN1-B149.1 ou CAN1-B149.2 du Codes de l'installation
 - Norme CSA C221, Partie 1 du Code canadien de l'électricité. Norme CSA C22.2 n° 3, Caractéristiques électriques des appareils de combustion.
 3. Nous ne pouvons pas prévoir chaque utilisation pouvant être faite de nos fournaises. D'autres normes régissent l'utilisation des gaz combustibles et les produits qui produisent de la chaleur dans des applications précises. Votre administration locale peut vous conseiller à ce sujet. Pour toutes questions concernant les applications, vérifier avec votre service d'incendie local.
 4. Les fournaises à air pulsé ne doivent pas être dirigés à moins de 20 pieds/6,10 mètres d'une bonbonne de gaz propane.
 5. Ne pas laver la fournaise. Utiliser uniquement de l'air comprimé, une brosse à poils souples ou un chiffon sec pour nettoyer l'intérieur de l'appareil et ses composants.

c. Dans le Commonwealth du Massachusetts, ce produit doit être installé par un installateur de gaz agréé dans le Commonwealth du Massachusetts.

AVERTISSEMENT

Instructions pour la mise à la terre

Cet appareil est muni d'une fiche à trois broches (mise à la terre) afin de vous protéger des chocs électriques et doit être branché directement dans une prise de courant à trois fentes. À défaut d'utiliser une prise de courant correctement mise à la terre, une décharge électrique, voire la mort, pourrait s'ensuivre.

6. À des fins de sécurité, cette fournaise est équipée d'interrupteurs de température élevée à réinitialisation manuelle, d'un interrupteur de vérification d'air et d'un robinet redondant de commande de gaz. Ne jamais faire fonctionner cette fournaise avec un dispositif de sécurité qui a été contourné. Ne pas faire fonctionner cette fournaise à moins que ces caractéristiques soient pleinement opérationnelles.
7. Ne pas diriger la fournaise vers une bonbonne d'alimentation en gaz propane ou un tuyau de gaz se trouvant à moins de 6 m (20 pi) de la décharge d'air de la fournaise.
8. Ne pas obstruer les entrées ou sorties d'air d'évacuation de la fournaise. Cela peut entraîner une mauvaise combustion ou endommager les composants de la fournaise se traduisant par des dommages matériels.
9. L'ensemble de flexibles doit être inspecté visuellement sur une base quotidienne après la relocation de la fournaise et lorsque l'appareil est en cours d'utilisation. S'il est évident qu'il y a une abrasion ou une usure excessive, ou si le tuyau est coupé, il doit être remplacé avant que la fournaise ne soit mise en service. L'ensemble de flexibles devra être protégé de la circulation, des matériaux de construction et du contact avec des surfaces chaudes durant l'utilisation et durant l'entreposage. L'ensemble de flexibles de rechange doit être celui précisé par le fabricant. Consulter la liste des pièces.
10. Dès l'installation de la fournaise, de sa relocation ou après son entretien, vérifier la présence de fuites de gaz et le bon fonctionnement lors de l'installation de la fournaise. Se reporter aux directives de vérification de fuites dans la section d'installation du présent manuel.
11. Avant toute utilisation et au moins une fois par année, cette fournaise doit être inspectée par un technicien qualifié pour en assurer le bon fonctionnement.
12. Toujours couper l'alimentation en gaz de l'appareil en cas d'utilisation de la fournaise pour les lieux de travail,
13. Si le débit de gaz est interrompu et la flamme s'éteint, ne pas rallumer la fournaise jusqu'à être bien sûr que tout le gaz accumulé se soit dissipé. Dans tous les cas, ne pas rallumer la fournaise pendant au moins 5 minutes.
14. Taille minimale de la bonbonne de gaz propane à utiliser : Fournaise de 170 000 BTU/h : (1) 100 lb/45 kg ou (2) 40 lb/18 kg : Fournaise de 80 000 BTU/h: 40 lb/18 kg
L'installation de multiples bonbonnes nécessite un collecteur pour assurer un approvisionnement constant en gaz. Le système doit être conçu pour assurer l'élimination des vapeurs provenant de la bonbonne en fonctionnement.
15. Lorsque la fournaise doit être stockée à l'intérieur, la connexion entre la bonbonne d'alimentation en gaz propane et la fournaise doit être débranchée et les bonbonnes enlevées de la fournaise et entreposées conformément à la norme NSI/NFPA 58 en matière de stockage et de manipulation des gaz de pétrole liquéfiés, ainsi que la norme CSA B149.1 du Code d'installation du gaz naturel et du propane, le cas échéant
16. Les bonbonnes de gaz propane comportent des filetages à gauche. Utiliser le volant de manœuvre fourni avec le régulateur pour établir une connexion avec le raccord Prest-O-Lite du régulateur dans le robinet d'alimentation en gaz des bonbonnes.
17. Utiliser la pâte à joints qui résistante au propane et au gaz naturel.

Instructions générales d'installation



AVERTISSEMENT

Risque de brûlure

Peut causer des dommages matériels, des blessures graves voire mortelles.

1. Pour éviter l'accumulation dangereuse de gaz combustible, couper l'alimentation en gaz du robinet de service de l'appareil avant de commencer l'installation et avant d'effectuer un test de fuite de gaz une fois l'installation terminée.
2. Ne pas forcer le bouton de commande du gaz. Utiliser seulement votre main pour tourner le bouton de commande du gaz. Ne jamais utiliser d'outils. Si le bouton ne peut être activé manuellement, la commande doit être remplacée par un technicien qualifié. Toute force ou tentative de réparation pourrait provoquer un incendie ou une explosion.

1. Lire toutes les précautions de sécurité et suivre les recommandations de LB White lors de l'installation de la fournaise. Si pendant l'installation ou la relocalisation de la fournaise vous pensez qu'une pièce s'est endommagée ou qu'elle est défectueuse, appeler un atelier de réparation qualifié pour qu'il effectue une réparation ou un remplacement.
2. Placer l'appareil de façon appropriée avant de l'utiliser sur une surface plane, stable et horizontale avant toute utilisation. Veiller à ce que la fournaise soit de niveau. (Utiliser un niveau, vérifier la longueur et la direction de la largeur). Respecter toutes les distances de sécurité minimales entre la fournaise et les matériaux combustibles les plus proches. Les distances de sécurité sont indiquées sur la plaque signalétique de la fournaise ainsi qu'à la page 4 du présent manuel.

3. Exigences en matière d'installation de gaz de pétrole liquéfiés

- Toutes les bonbonnes de gaz de pétrole liquéfiés doivent être placées à au moins 1,52 mètres/5 pieds de la structure de la paroi de tente la plus près.
- S'assurer que toutes les bonbonnes de gaz de pétrole liquéfiés sont sécurisées et protégées contre tous les gens, toute la circulation des véhicules et tous les contacts.
- Les bonbonnes de gaz propane doivent être situées sur une surface plane, stable et de niveau.
- Les bonbonnes de gaz de pétrole liquéfiés (c'est-à-dire les réservoirs/bonbonnes de 45 kg/100 lb) doivent être sécurisées en étant renversées.

Communiquer avec les autorités locales, les revendeurs de gaz propane, ou les commissaires des incendies pour en savoir plus concernant l'installation dans votre région

4. Pour utilisation à l'intérieur ou à l'extérieur et est approuvé pour une utilisation avec ou sans esau de gaines. Pour les installations à l'extérieur, des accessoires supplémentaires sont nécessaires pour correctement fournir de l'air chauffé à l'intérieur. Ces accessoires sont les suivants :

Unité de diffusion :

Cet accessoire permet le dégagement nécessaire entre les matériaux combustibles et propage également l'air chauffé à l'intérieur de la tente. Les codes locaux peuvent exiger une séparation de 3,04 m entre la tente et la fournaise. Dans ce cas, le diffuseur installé sur l'unité ne doit pas être utilisé.

Numéros de pièce du diffuseur de l'unité :
Fournaise de 80 000 BTU/h : 26349
Fournaise de 170 000 BTU/h : 26351

Trousse de conduite, diamètre de 0,3 m/12 po sur longueur de 3,65 m/12 pi :

Cet accessoire permet de placer la fournaise à 3,04 mètres/10 pieds de la tente comme requis par certains codes locaux.

Numéros de pièces de la trousse de conduite :

Gris 26346
Blanc 26347
Transparent 26348

Diffuseur final :

Cet accessoire est utilisé avec la conduite d'un diamètre de 0,3 m/12 po sur longueur de 3,65 m/12 pi. Il est placé sous le bord de la tente et assure la diffusion de l'air chauffé à l'intérieur de celle-ci.

Numéro de pièce du diffuseur final : 26350

NE PAS UTILISER TOUTE AUTRE CANALISATION, CONDUITES FABRIQUÉES IN SITU, BÂCHES, TOUT AUTRE CONDUIT, TUYAU DE POËLE ou tout autre moyen d'établir un lien entre l'appareil et l'intérieur de la tente.

5. Lors de l'utilisation de l'unité de diffusion ou des accessoires de distribution du diffuseur final, s'assurer que le matériau de la tente est placé dans le profil de l'accessoire et que le matériau de la tente est fermement ancré pour maintenir la tente en toute sécurité dans le profil. Consulter les pages 16 et 17 pour en savoir plus lors de l'utilisation de ces accessoires de distribution d'air.
6. Le régulateur de pression de gaz de la fournaise (avec soupape de décharge de pression) doit être protégé contre des conditions météorologiques défavorables (pluie, glace, neige), ainsi que des matériaux de construction (goudron, béton, plâtre, etc.) qui peuvent nuire au bon fonctionnement et peuvent entraîner des dommages matériels ou des blessures.
7. S'assurer que tous les accessoires livrés dans la fournaise en ont été retirés et qu'ils ont été installés.

8. Toujours vérifier s'il y a des fuites de gaz aux raccords à l'aide de détecteurs de fuites de gaz approuvés. La détection des fuites de gaz est effectuée comme suit :



AVERTISSEMENT Incendie et explosion

- Ne pas utiliser de flamme nue (allumettes, torches, bougies, etc.) pour vérifier des fuites de gaz.
- Utiliser des détecteurs de fuites approuvés.
- Le non-respect de cet avertissement peut provoquer des incendies ou des explosions.
- Les incendies et les explosions peuvent causer des dommages matériels, des blessures voire la mort.

- Vérifier toutes les connexions des raccords et des conduites, ainsi que les raccords et les adaptateurs en amont de la commande de gaz au moyen de détecteurs de fuites de gaz approuvés.

-- Si une fuite de gaz est détectée, vérifier la propreté des composants impliqués et l'application adéquate de pâte à joint avant de serrer davantage.

-- Resserrer le raccord de gaz autant que nécessaire pour arrêter la fuite.

-- Après la vérification de toutes les connexions et le colmatage de toute fuite, allumer le brûleur principal.

-- Vous écarter tandis que le brûleur principal s'allume pour prévenir les blessures causées par les fuites cachées, ce qui pourrait entraîner un retour de flamme.

-- Avec le brûleur principal en marche, vérifier toutes les connexions des raccords et des conduites, les joints ainsi que l'entrée du robinet de réglage de gaz et les connexions de sortie au moyen de détecteurs de fuites de gaz approuvés.

-- Si une fuite est détectée, vérifier la propreté des filets et l'application adéquate de pâte à joint avant de serrer davantage.

-- Resserrer le raccord de gaz autant que nécessaire pour arrêter la fuite.

-- Le cas échéant, si la fuite ne peut être arrêtée, remplacer les pièces ou composants en cause.

-- S'assurer que toutes les fuites de gaz ont été identifiées et colmatées avant de poursuivre.

9. Un atelier de réparation qualifié doit vérifier la pression du gaz de fonctionnement adéquate lors de l'installation de l'appareil.

10. Allumer conformément aux instructions sur la fournaise ou dans le manuel du propriétaire.

11. Le régulateur de gaz approprié doit être installé pour l'application de la fournaise. Utiliser uniquement le régulateur LB White initialement fourni avec la fournaise. Ce régulateur comprend un raccord incorporant un limiteur de débit Prest-O-Lite. Le limiteur de débit est un dispositif de sécurité qui protège l'appareil contre toute décharge à partir de la bonbonne d'alimentation en gaz propane si le régulateur est brisé. Si le raccord Prest-O-Lite doit être remplacé, il doit être remplacé par un raccord LB White Prest-O-Lite. Le non-respect de ces directives peut causer des incendies, des explosions, des pertes matérielles, des blessures voire la mort.

12. Un régulateur doit être connecté à l'alimentation en gaz de sorte que la pression du gaz à l'entrée du robinet de gaz soit en tout temps régulée dans la plage précisée sur la plaque d'identification. Si vous avez des questions, communiquer avec votre fournisseur de gaz ou avec LB White Co.

13. Cette fournaise est configurée pour être utilisée pour le soutirage de vapeur de gaz propane uniquement. Ne pas utiliser l'appareil dans un système ou une application de prélèvement de liquide de gaz propane. Si vous avez des doutes, communiquer avec L.B. White Co., Inc.

14. La fournaise doit être installée de façon à ne pas gêner ou entraver les sorties normales, les issues de secours, les portes et les allées.

15. Des garde-corps, des clôtures ou toute substitution des matériaux appropriée doivent être utilisés pour maintenir l'équipement de chauffage à l'écart de toutes les personnes qui utilisent et visitent la structure.

16. L'unité doit être située de telle sorte que la pluie, la glace ou le drainage de la neige à partir de la structure n'a aucune incidence sur le fonctionnement de l'équipement. Si l'unité est installée à l'extérieur, elle doit être installée au-dessus de toute eau stagnante. Si l'appareil doit être installé au sol, il est recommandé d'assurer une tranchée tout autour afin de drainer toute la pluie, la glace ou la neige.

17. Le sol et le terrain environnants doivent être dégagés de toute végétation combustible et de tout autre matériau combustible lorsque l'appareil est installé à l'extérieur.

18. Finalement, comme tous les appareils électriques/mécaniques, le thermostat peut connaître des défaillances. Toute défaillance du thermostat peut entraîner un sous-chauffage. Le thermostat doit être testé pour vous assurer qu'il active et désactive la fournaise selon une différence de température de $\pm 3^{\circ}\text{F}$ ($\pm 1,5^{\circ}\text{C}$).

19. Prendre le temps de comprendre comment utiliser et entretenir la fournaise à l'aide de ce mode d'emploi. S'assurer de savoir comment couper l'alimentation en gaz du bâtiment et également celui de la fournaise. Communiquer avec votre fournisseur de gaz combustible pour toute question.
20. Toute défaillance constatée dans l'exécution de l'une des procédures d'entretien ou de maintenance doit être corrigée et les pièces défectueuses doivent immédiatement être remplacées. La fournaise doit être testée de nouveau par le personnel de service dûment qualifié avant de la remettre en utilisation.

Dimensionnement de l'alimentation en gaz propane

La vaporisation du propane est touchée par plusieurs facteurs : la surface de la bonbonne, le niveau de liquide du propane, la température entourant la bonbonne et l'humidité relative. Tous ces facteurs sont précis pour un site. Par conséquent, un seuil d'expérience et de jugement adéquat est nécessaire pour sélectionner l'alimentation en propane appropriée.

Bien que l'expérience constitue le meilleur guide, les recommandations suivantes peuvent être utilisées comme point de départ. Le tableau repose sur une expérience dans des climats nordiques, où le froid et l'humidité élevés sont courants en hiver. Si des conditions plus ou moins favorables l'emportent sur un site en particulier, des ajustements peuvent être réalisés en fonction de l'expérience.

Approvisionnement recommandé en gaz propane – Bonbonnes requises par fournaise

Température moyenne °F/°C	50/10	40/4,4	30/-1,1	20/-6,7	10-12,2	0/-17,8	-10/-23
40 lb/18 kg CS080/TS080	1	1	1	1	2	2	2
100 lb/45 kg CS170/TS170	1	1	1	2	2	2	3

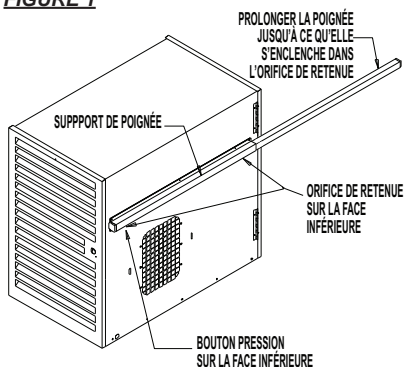
* Les bonbonnes doivent être reliées entre elles par un collecteur de vapeur pour permettre l'élimination simultanée des vapeurs de plusieurs bonbonnes.

Poignée coulissante (Premier 170)

La fournaise Premier 170 est munie de poignées coulissantes qui sont pratiques pour une mobilité de style « broquette ».

- Appuyer sur le bouton pression sur le côté inférieur du support de rangement de la poignée coulissante.
- Déployer complètement les deux poignées jusqu'à ce que le bouton pression se verrouille en place.
- Pour le stockage, appuyer sur le bouton d'arrêt et pousser les poignées en position complètement rétractée.

FIGURE 1



Porte-tuyau, Support de rangement du régulateur et support de rangement du thermostat

1. Ensemble de porte-tuyau (tous les modèles)

- A. Aligner le porte-tuyau avec les boulons de cage à l'arrière de la fournaise.
- B. Installer le support en utilisant les boulons 1/4-20 x 3/4 po et les rondelles plates de 1/4 po. Serrer bien. Consulter la Figure 2.

2. Montage du support de rangement du thermostat (tous les modèles)

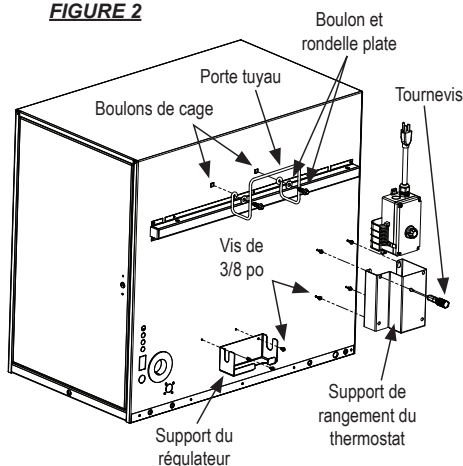
- a. Visser quatre vis à tête hexagonale de 3/8 po dans les quatre trous se trouvant dans le coin inférieur à l'arrière de la fournaise, à l'extrémité de la porte à persiennes. **NE PAS TROP SERRER.** Consulter la Figure 2, le modèle Premier 170 est représenté.

- b. Faire glisser les quatre trous de serrure des brides du support de thermostat sur les quatre vis de montage.
- c. Après avoir appuyé sur le support pour le maintenir en position, insérer un tournevis à douille de 0,25 po ou un tournevis standard à travers les orifices du support et serrer les vis. Ranger le thermostat lorsqu'il n'est pas en cours d'utilisation.

3. Ensemble du support de rangement du régulateur (Premier 170) SUPPORT

- a. Aligner le support de rangement du régulateur avec les deux orifices d'un diamètre de 0,125 po sur le boîtier inférieur arrière de la fournaise.
- b. À ce stade, installer le support de rangement au casier en utilisant les deux vis à tête hexagonale de 0,375 po. Serrer bien.

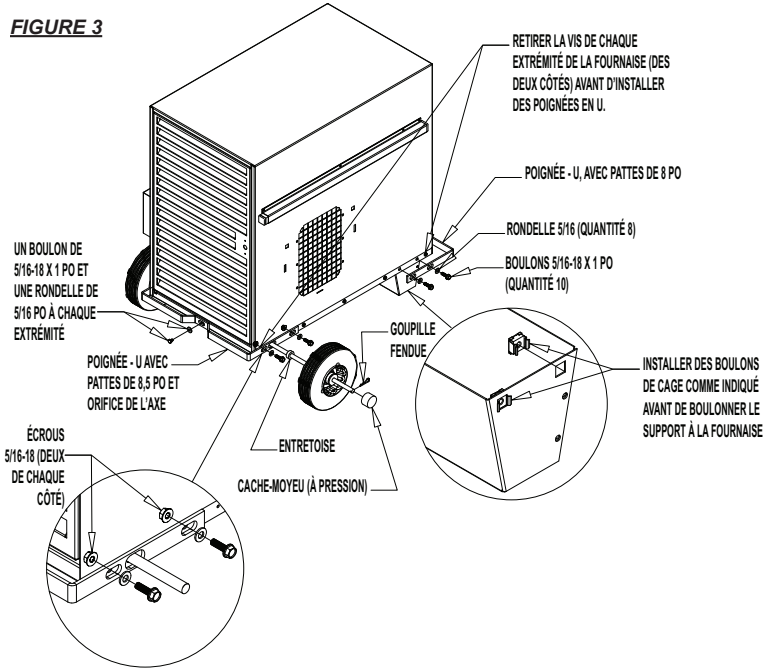
FIGURE 2



Ensemble de roues, pattes et poignée de levage (Premier 170)

Consulter la Figure 3 pour y voir les composants d'assemblage.
S'assurer que tout le matériel est bien serré.

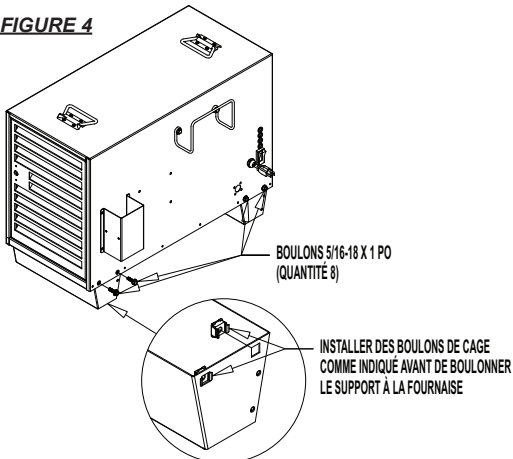
FIGURE 3



Ensemble de pattes (Premier 80)

Assembler les pattes sur la fournaise comme indiqué.
Serrer bien tous les raccords.

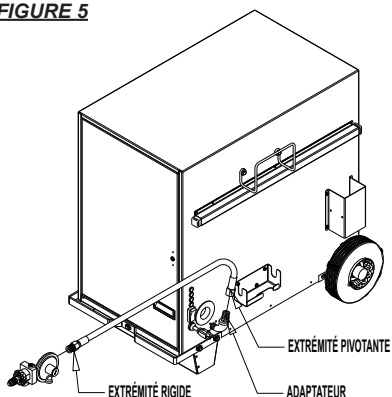
FIGURE 4



Ensemble de tuyau et de régulateur

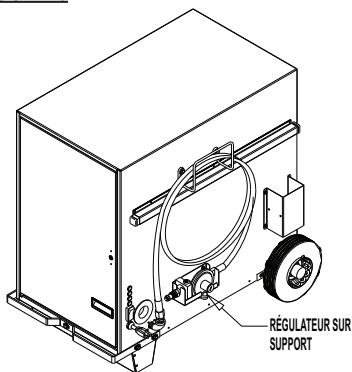
1. Raccorder l'extrémité rigide du tuyau à la sortie du régulateur. Brancher l'autre extrémité à l'adaptateur de tuyau de la fournaise. Serrer bien. Consulter la Figure 5.

FIGURE 5



2. Le tuyau peut être enroulé et suspendu au crochet de serrage, comme illustré à la Figure 6.
3. Pour les fournaises Premier 170, stocker le régulateur dans le support de stockage (Figure 6) lorsque le régulateur n'est pas utilisé.

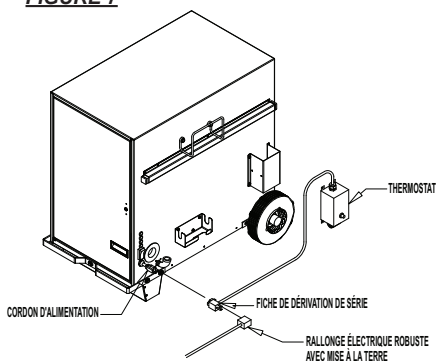
FIGURE 6



Ensemble du thermostat (Tous les modèles – Le numéro de pièce de la trousse est 09454)

1. Brancher le connecteur mâle dans le côté femelle de la fournaise de la Figure 7 De la fiche de dérivation de série du robinet. Consulter la Figure 7.
2. Brancher le côté mâle de la fiche de dérivation de série dans une rallonge électrique robuste mise à la terre. Brancher la rallonge dans une prise électrique approuvée.

FIGURE 7

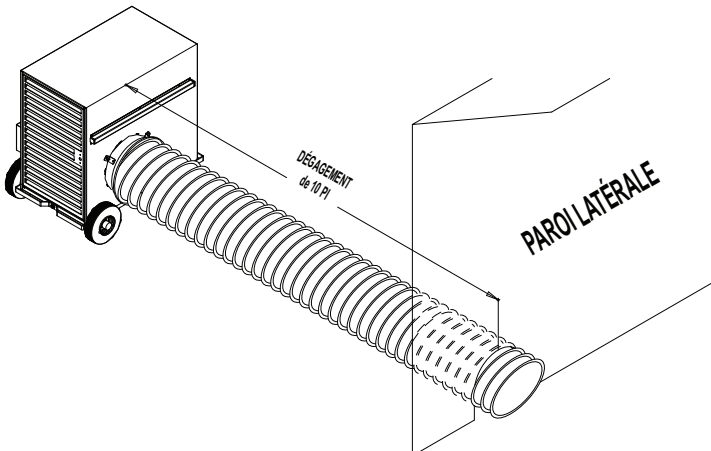
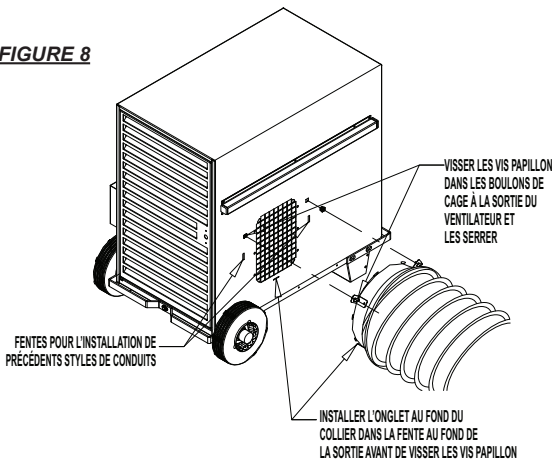


Trousse de conduite

Accessoires 26346 – Gris et 26347 – Blanc (Non inclus)

1. Consulter la Figure 8 pour voir une installation de conduite. Bien serrer manuellement les vis.
(Remarque : Des fentes sont également fournies sur les côtés d'évacuation de l'air de chauffage pour accueillir des adaptateurs de précédents styles de conduits avec une configuration de montage à onglet.)
2. Déployer la trousse de conduit à une longueur de 3,65 m/12 pi.
FIGURE 8
3. Placer le conduit comme indiqué. Enlever tous les nœuds dans les conduits.

FIGURE 8

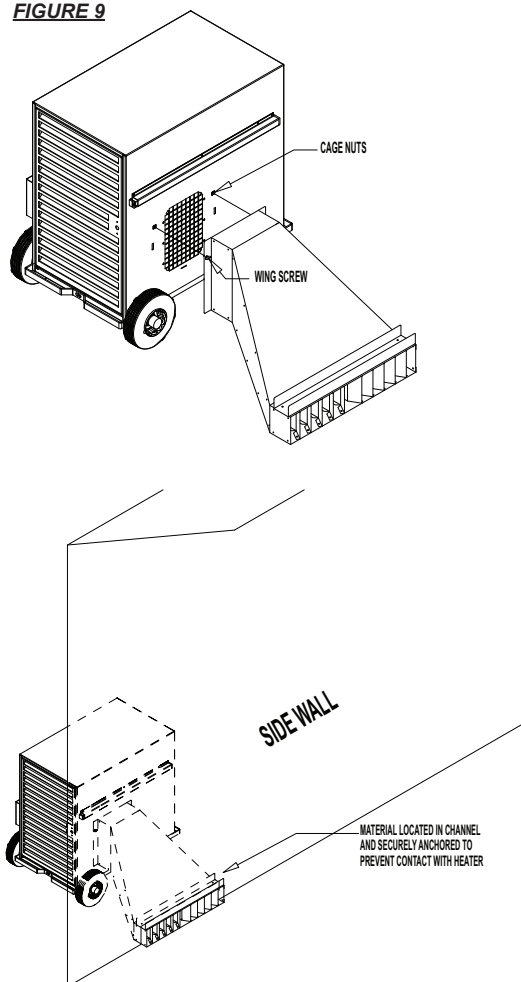


Unité de diffusion

Accessoire 26349 (Premier 80) et 26351 (Premier 170)
(Non inclus)

1. Consulter la Figure 9 pour y voir l'installation de l'unité de diffusion. Bien serrer manuellement les vis. Figure 9 (Remarque : Des fentes sont prévues pour accueillir des unités de diffusion de styles antérieures avec pattes de montage.)
2. Placer le diffuseur sous la paroi de la tente, comme indiqué. Poser le matériel de la tente dans le profil du diffuseur. Vérifier que le matériau est solidement ancré dans le profil pour éviter tout contact avec l'appareil. Voir ci-dessous pour connaître l'installation type.

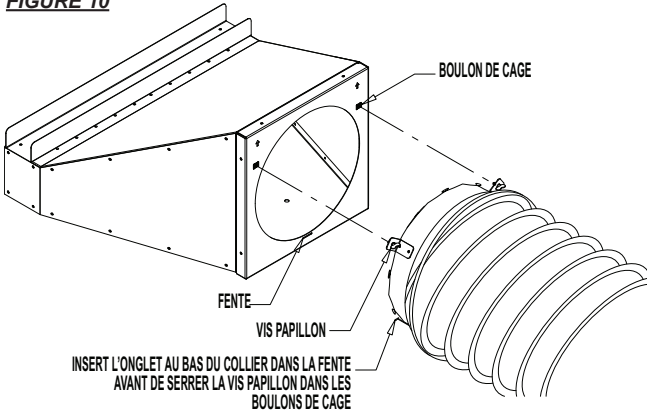
FIGURE 9



Diffuseur final Accessoire 26350 (non inclus)

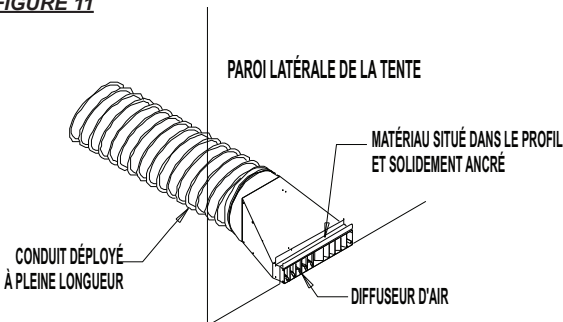
1. Envelopper la pince à conduit autour du conduit et du collier. La selle de la pince repose sur le serpentín du conduit. Connecter les extrémités de la pince et les serrer fermement. Consulter la Figure 10.

FIGURE 10



2. Placer le diffuseur sous la paroi de la tente, comme indiqué. Poser le matériel de la tente dans le profil du diffuseur. S'assurer que le matériel est solidement ancré dans le profil. Consulter la Figure 11.

FIGURE 11



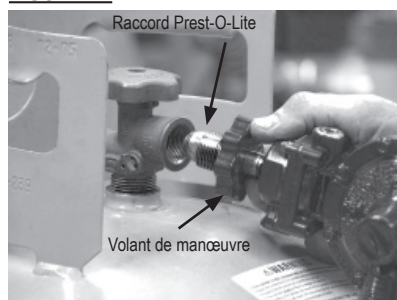
Raccordement du régulateur à l'approvisionnement en gaz

- Utiliser uniquement le régulateur LB White fourni avec la fournaise.
- Utiliser une pâte à tuyau qui résiste au propane et au gaz naturel sur tous les raccords filetés
- Pour en assurer le bon fonctionnement, la fournaise doit être réglée en tout temps.
- Après la connexion à l'alimentation en gaz, vérifier toutes les connexions du régulateur pour déceler la présence de fuite.

Fournaises Premier standards fonctionnant au gaz propane (modèles TS080/170)

1. Retirer le bouchon du raccord du régulateur Prest-O-Lite. (Ne pas jeter le bouchon)
2. Insérer la tige Prest-O-Lite dans le robinet de la bonbonne. Pousser le volant de manœuvre à ressort contre l'écrou fileté. Tourner dans le sens antihoraire, visser l'écrou de Prest-O-Lite dans la valve du récipient en utilisant le volant de manœuvre. Serrer fermement. Consulter la Figure 12.

FIGURE 12



3. Ouvrir lentement le robinet de la bonbonne. Cela permettra d'éviter de verrouillage du limiteur de débit intégré au sein de la tige Prest-O-Lite.
4. Lors du rangement ou du transport de la fournaise, utiliser le bouchon de protection pour assurer que le raccord Prest-O-Lite est protégé contre les dommages et l'admission de saleté.

Fournaises Premier standards au gaz naturel (modèles TS080/170)

- Utiliser le régulateur fourni avec la fournaise au gaz naturel, si la pression d'alimentation de la fournaise est supérieure à la pression d'entrée maximale de 13,5 po de colonne d'eau/3,36 kPa, comme indiqué sur la plaque signalétique de la fournaise et dans le manuel du propriétaire.
- Le régulateur de gaz naturel fourni avec la fournaise nécessite une pression d'entrée minimale de 2 lb/po².
- Brancher le régulateur de gaz naturel (numéro de pièce 09795) à la conduite d'alimentation en gaz naturel en utilisant les raccords appropriés.

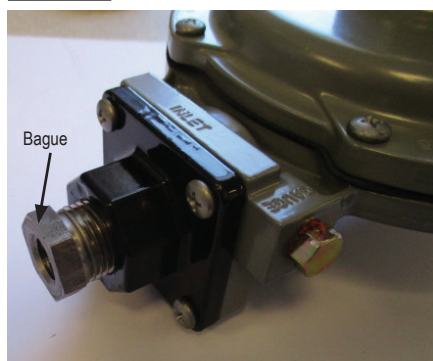
Fournaises Premier à bicarburant (modèles CS080/CS170)

- Le régulateur fourni avec des fournaises fonctionnant au bicarburant est adapté à la fois au propane ou au gaz naturel
- Utiliser uniquement le régulateur LB White fourni avec la fournaise.
- Utiliser une pâte à tuyau qui résiste au propane et au gaz naturel sur tous les raccords filetés
- Pour en assurer le bon fonctionnement, la fournaise doit être réglée en tout temps.
- Après la connexion à l'alimentation en gaz, vérifier toutes les connexions du régulateur pour déceler la présence de fuite.

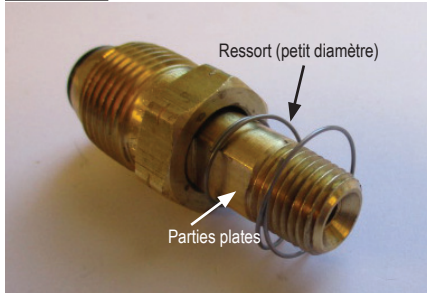
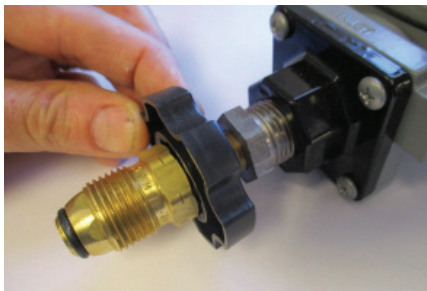
Lors de l'utilisation de gaz propane comme combustible :

1. Enfiler la bague dans l'entrée du régulateur. Serrer bien. Consulter la Figure 13.

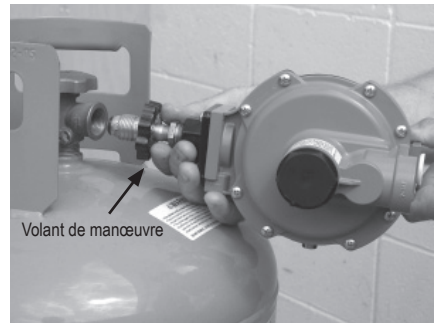
FIGURE 13



2. Retirer le bouchon en plastique du raccord Prest-O-Lite.
(Le raccord Prest-O-Lite est situé dans le sac de quincaillerie. Ne pas jeter le bouchon)
3. Faire glisser le ressort sur la tige Prest-O-Lite. L'extrémité du ressort au plus petit diamètre est dirigée vers l'écrou en laiton de Prest-O-Lite. Consulter la Figure 14. Faire glisser le côté ouvert du volant de manœuvre sur la tige Prest-O-Lite. Visser l'ensemble dans l'entrée de la douille de 0,25 po installée dans le régulateur. Serrer fermement à l'aide d'une clé dans les parties plates de la tige Prest-O-Lite. Consulter les Figures 14 et 15.

FIGURE 14**FIGURE 15**

4. Insérer la tige Prest-O-Lite dans le robinet de la bonbonne. Pousser le volant de manœuvre à ressort contre l'écrou fileté. Tourner dans le sens antihoraire, visser l'écrou de Prest-O-Lite dans la valve du récipient en utilisant le volant de manœuvre. Serrer fermement. Consulter la Figure 16.

FIGURE 16

5. Ouvrir lentement le robinet de la bonbonne. Cela permettra d'éviter de verrouillage du limiteur de débit intégré au sein de la tige Prest-O-Lite.
6. Lors du rangement ou du transport de la fournaise, utiliser le bouchon de protection pour assurer que le raccord Prest-O-Lite est protégé contre les dommages et l'admission de saleté.

Lors de l'utilisation du gaz naturel comme combustible :

- Le régulateur fourni avec la fournaise à bicarburant est nécessaire pour une utilisation avec du gaz naturel si la pression d'alimentation en gaz naturel de la fournaise est supérieure à la pression d'entrée maximale de 13,5 po de colonne d'eau/3,36 kPa, comme indiqué sur la plaque signalétique de la fournaise et du présent manuel du propriétaire.
- Le régulateur nécessite une pression d'alimentation en gaz naturel minimale de 2 lb/po².
- Retirer l'ensemble du raccord Prest-O-Lite avec volant de manœuvre de l'entrée du régulateur.
- Brancher le régulateur à la conduite d'alimentation en gaz naturel en utilisant les raccords appropriés.

Instructions de démarrage

1. Brancher le cordon électrique dans une prise approuvée.

Un commutateur situé à l'arrière de l'élément chauffant permet un fonctionnement en modes chauffage ou ventilation (sans chaleur). Consulter la Figure 17.

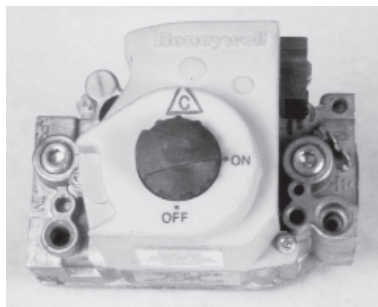
FIGURE 17



A. Mode de fonctionnement de la fournaise

- a. Ouvrir toutes les vannes manuelles d'approvisionnement en carburant. Vérifier s'il y a des fuites de gaz à l'aide de détecteurs de fuites approuvés. Le robinet de réglage du gaz de la fournaise comporte une fonction d'arrêt manuel intégrée dans l'ensemble du robinet. Veiller à ce que l'indicateur du robinet soit positionné en position de marche. Consulter la Figure 18.

FIGURE 18



- b. Placer le sélecteur en position de la chaleur. Consulter Figure 17.

- c. Régler le thermostat à la température ambiante souhaitée.
 - Le moteur du ventilateur démarre
 - L'allumeur produira une étincelle
 - L'allumage se produit.

- d. Le thermostat de la fournaise alterne entre marche et arrêt en fonction du point de consigne.

Il est normal que l'air soit emprisonné dans le tuyau de gaz dans de nouvelles installations. La fournaise peut tenter plus d'un essai d'allumage avant que l'air soit finalement purgé de la conduite et que l'allumage ait lieu.

Lorsque le commutateur est réglé à chaleur, quatre témoins d'état (consulter la Figure 17) seront activés en séquence tandis que des circuits précis sont vérifiés par la commande d'allumage. Si la fournaise ne s'allume pas et que le voyant d'état est inactif, consulter l'étiquette de dépannage se trouvant à l'intérieur de la porte d'accès à l'extrémité du brûleur de la fournaise ou la section de dépannage du manuel.

B. Mode de fonctionnement de l'évent

- Placer le sélecteur en position d'arrêt, **O**, puis à ventilation
- Seul le moteur du ventilateur fonctionnera. L'allumeur ne produira pas d'étincelle et aucune inflammation ne se produit.

La fonction de ventilation est utilisée lorsque la circulation d'air est nécessaire. La fournaise n'effectuera aucun cycle de réglage de son thermostat.

C. ARRÊT O

1. Placer l'interrupteur au point médian O
2. **Ne pas dépasser la consommation thermique apposée sur la plaque signalétique ou la pression de l'orifice du brûleur recommandée par le fabricant en fonction des tailles d'orifices utilisés. Pour assurer une bonne combustion, s'assurer que l'alimentation principale en air du brûleur principal est ouverte et exempte de poussière, de saleté et de débris.**

Instructions d'arrêt

Pour un arrêt normal, régler le thermostat sous la température ambiante. Lors de l'entretien ou de la maintenance, suivre les étapes 1 à 5.

1. Fermer le robinet d'alimentation en carburant.
2. Laisser la fournaise brûler tout le gaz de carburant restant dans la conduite d'alimentation.
3. Régler le thermostat en position d'arrêt ou à « sans chaleur »
4. Placer le sélecteur de position O (arrêt).
5. Débrancher la fournaise de l'alimentation électrique de l'alimentation en gaz.

Robinet sélecteur de carburant Fournaise au bicarburant uniquement

1. Cette fonction permet à la fournaise de faire fonctionner le propane ou le gaz naturel sans avoir à modifier l'orifice du brûleur. Le robinet sélecteur de carburant est situé entre le robinet de réglage du gaz et le brûleur. La sélection du gaz est réalisée en faisant coulisser le manchon de verrouillage (le cas échéant) et en repositionnant la poignée du robinet. **CECI N'EST PAS UN ROBINET D'ARRÊT MANUEL DU GAZ.**
2. Reportez-vous aux Figures. 19 et 20. La poignée du robinet doit être correctement positionnée pour le gaz précis utilisé (Premier 170 au bicarburant montré. Mêmes positions de poignée pour la fournaise Premier 80 au bicarburant).

FIGURE 19

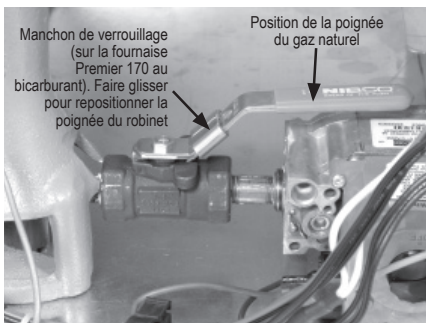


FIGURE 20

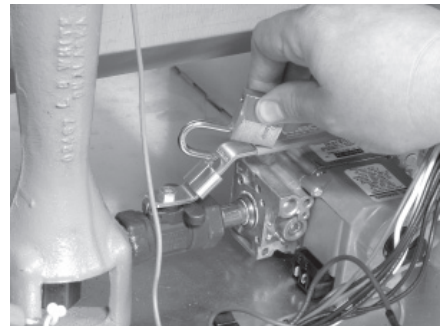


3. Pour assurer un fonctionnement adéquat, la poignée doit être entièrement réglée à 90 degrés par rapport au débit de gaz (gaz propane) ou parallèlement au débit de gaz (gaz naturel). Se référer également à l'autocollant situé à la base de la fournaise, à côté du robinet de sélection.

Ne pas faire fonctionner la fournaise avec la poignée du robinet de sélection entre l'une ou l'autre des positions, sinon un dysfonctionnement se produira.

4. Premier 170 au bicarburant : La poignée du robinet peut être verrouillée pour éviter un mauvais positionnement. Utiliser le trou prévu à cette fin. Consulter la Figure 21.

FIGURE 21



Instructions de nettoyage



AVERTISSEMENT Danger d'incendie, de brûlure et d'explosion

- Cette fournaise contient des composants électriques et mécaniques dans les systèmes de gestion du gaz, de la sécurité et de la circulation de l'air.
- Ces composants peuvent devenir inopérants ou défaillir à cause de la poussière, la saleté, l'usure, le vieillissement ou l'atmosphère corrosive d'un bâtiment de confinement des animaux.
- Un nettoyage et une inspection périodiques ainsi que l'entretien adéquat sont essentiels pour éviter les blessures ou les dommages graves.

1. Avant le nettoyage, fermer tous les robinets d'alimentation en gaz et débrancher l'alimentation électrique.

2. Toute saleté ou poussière doit périodiquement être enlevée de la fournaise :

- a. Avant chaque utilisation nettoyer de façon globale le boîtier et les composants internes de la fournaise à l'aide d'air comprimé, d'une brosse douce ou d'un chiffon sec. À cette étape, dépoussiérer le boîtier du moteur pour éviter qu'il ne surchauffe.
- b. Au moins une fois par an, nettoyer la fournaise en profondeur. À cette étape, retirer l'ensemble du ventilateur et du moteur et brosser ou souffler sur l'ensemble des pales du ventilateur. S'assurer en outre que les ports d'entrée d'air du brûleur et le boîtier interne sont libres d'accumulation de poussière.



AVERTISSEMENT

Ne pas utiliser un nettoyeur haute pression, d'eau ou une solution de nettoyage liquide sur les commandes de gaz. L'utilisation d'un nettoyeur haute pression, d'eau, ou d'une solution de nettoyage liquide sur les composants de contrôle peut entraîner des blessures graves ou des dégâts matériels.

- Dans les composants électriques et les fils provoquant une décharge électrique ou une défaillance de l'équipement.
- Sur les robinets de gaz provoquant de la corrosion qui peuvent entraîner des fuites de gaz se traduisant par un incendie ou une explosion.

Nettoyer tous les composants de la fournaise avec de l'air pressurisé, un pinceau sec, ou un chiffon sec.

Instructions de maintenance

AVANT CHAQUE UTILISATION :

- Vérifier que la zone entourant la fournaise est dégagée et libre de matériaux combustibles, d'essence et d'autres vapeurs et liquides inflammables.
- Demander à votre fournisseur de gaz de vérifier toutes les conduites de gaz afin d'y déceler des fuites ou des restrictions.
- Inspecter le régulateur de ventilation pour vous assurer que l'évent du régulateur n'est pas bloqué. Les débris, les insectes, les nids d'insectes, la neige ou la glace sur un régulateur peuvent bloquer les ouvertures et provoquer une pression excessive sur la fournaise.
- Vérifier toutes les bornes de câblage et les composants électriques associés à l'intérieur de la fournaise afin de déceler tout signe de corrosion, d'isolation effilochée ou coupée, d'assurer que les raccords sont bien serrés, etc. Réparer ou remplacer si nécessaire.
- Vérifier l'ensemble de tuyau après l'installation ou la réinstallation de la fournaise, et lorsqu'elle est en cours d'utilisation. S'il est évident qu'il y a une abrasion ou une usure excessive, ou si le tuyau est coupé, il doit être remplacé avant que la fournaise ne soit mise en service.
- Passer en revue toutes les marques de la fournaise (par exemple schéma de câblage, avertissements, démarrage, arrêt, dépannage, etc.) au moment de l'entretien pour en assurer la lisibilité. S'assurer qu'aucune n'est coupée, déchirée ou endommagée. Toute inscription endommagée doit être immédiatement remplacée en communiquant avec L.B. White Co., Inc. La plaque signalétique, des instructions de démarrage et d'arrêt ainsi que des mises en garde sont disponibles sans frais.

ANNUELLEMENT :

- Nettoyer et vérifier l'allumeur afin de déceler toute fissure. Remplacer le cas échéant.
- Les régulateurs peuvent s'user et fonctionner incorrectement. Demander à votre fournisseur de gaz de vérifier les codes de date sur tous les régulateurs installés ainsi que la pression de livraison de la fournaise pour vous assurer que le régulateur est fiable.
- Tester les deux commutateurs de température élevée à réinitialisation manuelle pour en assurer le bon fonctionnement. (Consulter les instructions d'essai dans le manuel du propriétaire.)

Instructions d'entretien courant

AVERTISSEMENT Risque de brûlure

- Les surfaces de la fournaise sont chaudes pendant une certaine période après l'arrêt de la fournaise.
- Laisser la fournaise refroidir l'appareil avant d'en effectuer le service courant, la maintenance ou le nettoyage.
- Le non-respect de cet avertissement pourrait entraîner des brûlures.

AVERTISSEMENT Incendie et explosion

- Ne pas démonter ou tenter de réparer les composants de la fournaise ou les composants du terminal de gaz comme les robinets ou les tuyaux de gaz.
- Tous les composants doivent être remplacés si des défauts sont constatés.
- Le non-respect de cet avertissement peut causer un incendie ou une explosion, causant des dommages matériels, des blessures voire la mort.

1. Fermer le robinet d'alimentation en carburant de la fournaise et débrancher l'alimentation électrique avant d'effectuer l'entretien, à moins que cela ne soit requis pour votre procédure de service.
2. Nettoyer l'orifice de la fournaise avec de l'air comprimé ou un chiffon doux et sec. Ne pas utiliser des limes, des perceuses, des broches, etc., pour nettoyer l'orifice. Cela agrandirait le trou, provoquant des problèmes de combustion ou d'allumage. Remplacer l'orifice s'il ne peut pas être correctement nettoyé.
3. L'interrupteur de température élevée peut être testé en :
 - Débranchant les câbles au niveau du composant, et pontant les fils.
 - Rebranchant l'alimentation électrique et en ouvrant les robinets d'alimentation en carburant.
 - Si la fournaise s'allume, le composant est défectueux et doit être remplacé.
 - Ne pas laisser le cavalier activé ou faire fonctionner la fournaise si la pièce est défectueuse. Remplacer la pièce immédiatement.
 - Une autre méthode de vérification des composants consiste à effectuer un contrôle de continuité.

4. L'interrupteur de vérification d'air ne doit pas être ponté. S'il est ponté, la commande d'allumage ne permettra pas le fonctionnement de la fournaise. Tester la continuité de l'interrupteur de vérification d'air. Le remplacer s'il est défectueux.
5. Ouvrir le panneau du boîtier respectif pour accéder aux composants du brûleur ou du ventilateur. Ouvrir le boîtier de commande pour accéder au dispositif de commande d'allumage et au transformateur.
6. Débrancher les fils électriques appropriés lors du remplacement des composants.
7. Pour le remontage, inverser la procédure respective. S'assurer que les raccords de gaz sont bien serrés et qu'il n'y a aucune fuite.
8. Après l'entretien, démarrer la fournaise pour en assurer un bon fonctionnement.

Assemblage du moteur et du ventilateur

1. Ouvrir le panneau d'accès à persienne opposé à l'extrémité du brûleur de la fournaise. Débrancher les fils du moteur.
2. Retirer toutes les vis de retenant la plaque de montage du moteur sur le boîtier.
3. Retirer le ventilateur et l'ensemble du moteur du boîtier.
4. Desserrer les vis de réglage sur la roue du ventilateur.
5. Tirer la roue du ventilateur de l'arbre du moteur.
6. Retirer les quatre (4) écrous retenant le moteur à la plaque de montage.

FIGURE 22

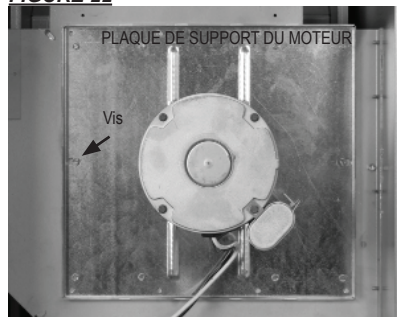
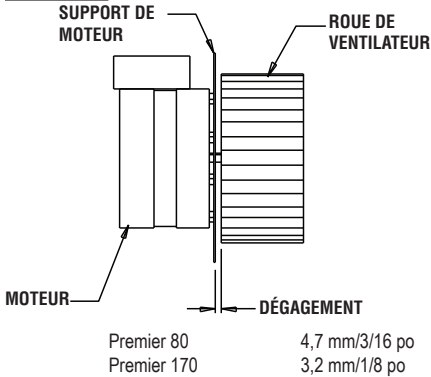


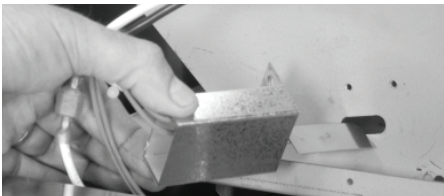
FIGURE 23

Interrupteur de vérification d'air

L'interrupteur de vérification d'air est situé sur le boîtier du ventilateur du côté du moteur de la fournaise. Il doit fonctionner correctement pour permettre un cycle d'allumage. L'allumage ne se produira pas si les contacts de l'interrupteur de vérification d'air sont fermés avant que la commande d'allumage ne démarre le moteur du ventilateur, ou qu'ils ne se ferment pas lors d'un appel de chaleur après le démarrage du moteur du ventilateur. Consulter la Figure 24.

Pour effectuer l'entretien courant :

- Retirer les deux (2) vis de fixation métallique qui retiennent l'interrupteur avec support au boîtier du ventilateur.
- Retirer l'ensemble en tournant l'interrupteur de sorte que la palette sur son bras puisse être tirée à travers l'orifice oblong sur le côté ventilateur du boîtier.

FIGURE 24

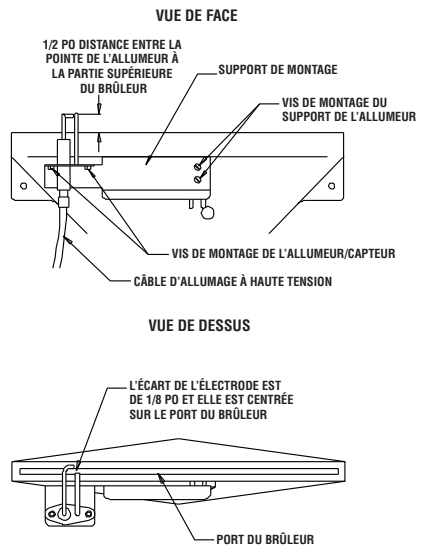
Ensemble allumeur/capteur de flamme

La conception de l'allumeur est à détection locale, ce qui signifie qu'elle sert également à détecter la flamme du brûleur.

1. Consulter les Figures 25 ou 26, selon le modèle de fournaise, pour connaître l'emplacement de l'ensemble de l'allumeur/capteur.
 2. Retirer les deux vis de fixation du support de montage du brûleur. Retirer l'ensemble de l'allumeur.
 3. Déconnecter le câble haute tension de l'ensemble de l'allumeur.
 4. Retirer les deux vis qui retiennent le capteur d'allumage au support de montage.
- L'allumeur et la tige de mise à la terre doivent être nettoyés pour assurer un allumage adéquat.
 - Utiliser une laine d'acier ou une toile d'éméri.
 - Frotter énergiquement pour enlever l'accumulation de poussière, de saleté et d'oxyde.
 - Vérifier la base en céramique de l'allumeur pour y déceler des fissures. -- Remplacer l'allumeur si vous y trouvez des fissures.

FIGURE 25

Mêmes caractéristiques pour toutes les versions Premier 170



Interrupteurs de température élevée à réinitialisation manuelle

⚠️ AVERTISSEMENT Risque d'incendie

- Ne pas faire fonctionner la fournaise si l'interrupteur de température élevée est contourné.
- Faire fonctionner une fournaise avec un interrupteur de température élevée contourné peut conduire à une surchauffe, ce qui peut causer un incendie, des dommages subséquents à la fournaise ou au bâtiment.

Cet appareil dispose de deux interrupteurs de température élevée : un se trouvant dans l'extrémité de la porte pleine de la chambre de chaleur, l'autre à l'intérieur de la porte persiennes montée du côté ventilateur du boîtier sur le panneau latéral. Les deux sont facilement identifiables par un bouton de réinitialisation rouge au centre de l'interrupteur. Voir les Figures 26 et 27, le modèle Premier 170 est représenté.

FIGURE 26

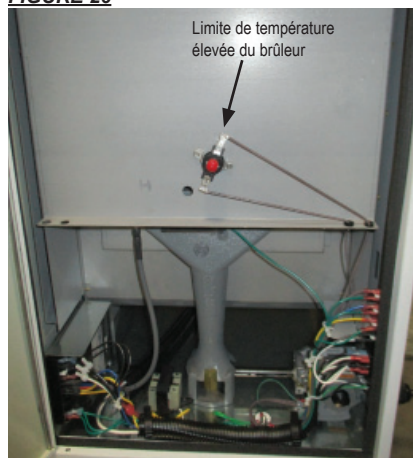
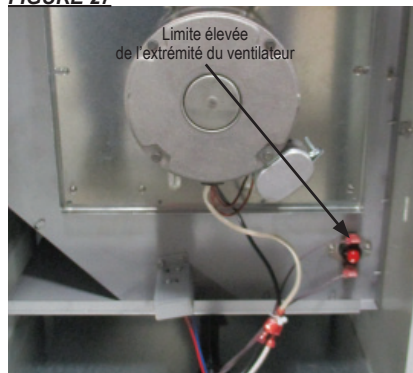


FIGURE 27



Fonction

Si la fournaise surchauffe, au moins un des interrupteurs de température élevée peut se déclencher, ouvrant ainsi le circuit électrique du robinet de commande de gaz. Une surchauffe est généralement causée par des restrictions du conduit, une basse tension, un blocage de l'entrée d'air de la fournaise ou une pression de gaz excessive.

Réinitialisation

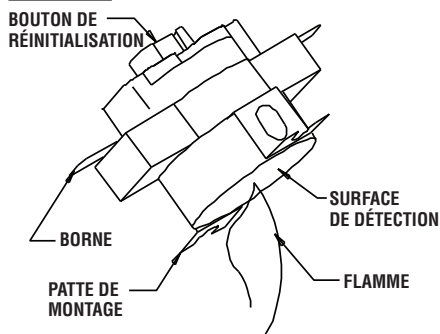
Si l'un ou l'autre se déclenche, retirer le bouchon rouge et appuyer fermement sur le bouton de réinitialisation se trouvant au milieu de l'interrupteur. Arrêter ensuite la fournaise et la rallumer. Déterminer la cause du déclenchement de l'interrupteur de température élevée.

Essai

Pour assurer le bon fonctionnement de ces composants de sécurité cruciaux, les deux commutateurs doivent être testés chaque année, généralement lorsque la fournaise nettoyée en profondeur.

1. Retirer l'un ou l'autre des interrupteurs de température élevée.
2. En maintenant le commutateur par une de ses pattes de montage, appliquer une petite flamme uniquement dans la partie de détection à l'arrière de l'interrupteur. Consulter la Figure 28. Veiller à ne pas faire fondre le boîtier en plastique de l'interrupteur lors de cet essai.
3. En une minute, vous devriez entendre un clic provenant de l'interrupteur, ce qui indique que les contacts de l'interrupteur se sont ouverts.
4. Laisser l'interrupteur refroidir pendant environ une minute. Retirer le bouchon rouge et appuyer fermement sur le bouton de réinitialisation du commutateur.
5. Vérifier la continuité électrique entre les bornes de l'interrupteur pour vous assurer que les contacts sont fermés. Installer le bouchon rouge.

FIGURE 28



Orifice du brûleur et robinet de réglage du gaz

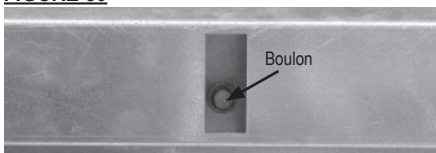
1. Retirer le tuyau de gaz de la fournaise
2. Retirer le coude et toutes les vis à l'entrée du robinet de commande du gaz. Consulter la Figure 29.

FIGURE 29



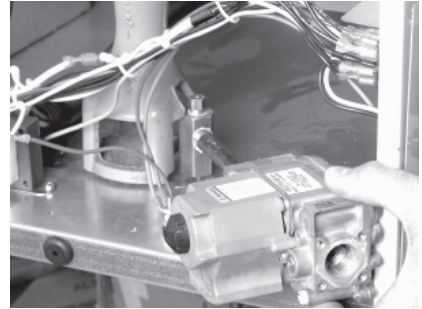
3. Ouvrir la porte pleine à l'extrémité de l'admission de gaz de l'appareil.
4. Retirer le boulon de retenue du brûleur sur la face inférieure de la base de la fournaise. Pour les fournaises Premier 170, le boulon est accessible à travers une ouverture dans la patte d'appui de la fournaise. Utiliser une clé à cliquet avec rallonge et une douille de 9/16 po. Consulter la Figure 30.

FIGURE 30



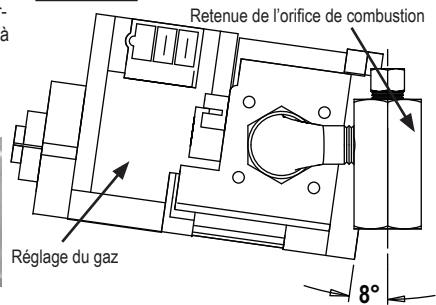
5. Soulever et faire pivoter l'ensemble de commande de gaz pour exposer l'orifice du brûleur. Consulter la Figure 33. Remplacer les composants, le cas échéant.

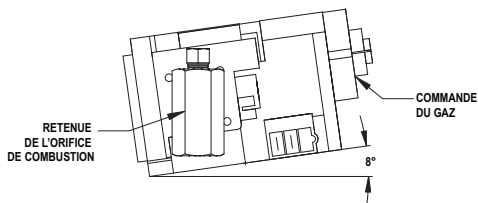
FIGURE 32



6. Lors du montage du robinet de commande au collecteur, afin d'assurer que le robinet de commande aligne ses trous de fixation, le robinet doit être décalé de 8 degrés par rapport à la retenue de l'orifice de combustion. Consulter la Figure 33.

FIGURE 33
Premier 80



Premier 170

Commande de l'allumage

La commande envoie et reçoit des tensions pour faire fonctionner ou pour vérifier le fonctionnement des composants. Se reporter à ce qui suit ainsi qu'à la Figure 34 pour comprendre les indicatifs de borne de la commande d'allumage afin de procéder à vérifications de tension sur la commande.

L1 : Tension de l'alimentation principale de la commande.

IND : Tension de l'alimentation principale de la commande au moteur.

DEL : Non utilisé

MV : 24 V c.a de la commande d'allumage par l'entremise des deux interrupteurs de température élevée, puis au robinet de commande du gaz.

PS2 : 24 V c.a de l'interrupteur de vérification d'air à la commande d'allumage.

PS1 : 24 V c.a de la commande d'allumage à l'interrupteur de vérification d'air.

W : 24 V c.a du transformateur à la commande d'allumage. (sans cette tension du transformateur, la commande d'allumage ne fonctionne pas.

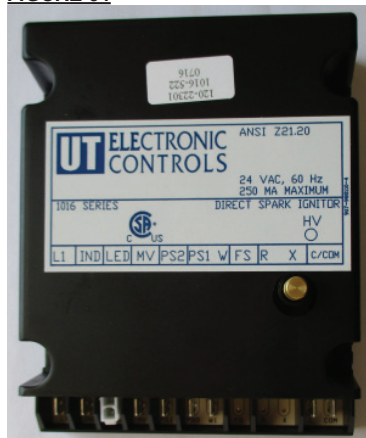
FS : Aucune borne.

R : Aucune borne.

X : Aucune borne

C/COM : Mise à la terre pour le transformateur et la commande d'allumage.

Le cas échéant, se référer également à la rubrique « Séquence d'opération » du présent manuel pour comprendre le fonctionnement de la commande d'allumage lors d'un appel de chaleur.

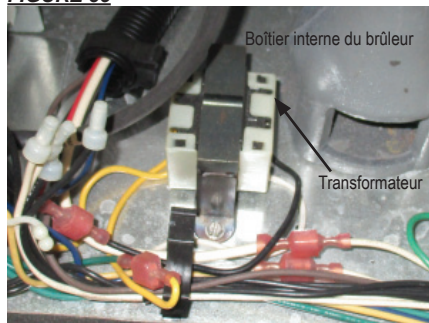
FIGURE 34

Transformateur

Le transformateur réduit la tension d'alimentation principale à 24 V c.a pour le fonctionnement de la commande d'allumage.

Sans 24 V c.a du transformateur, la commande d'allumage et la fournaise ne fonctionneront pas.

Consulter la Figure 35 pour connaître l'emplacement du transformateur; la fournaise Premier 170 est représentée.

FIGURE 35

Vérifications de la pression du gaz

AVERTISSEMENT

- Ne pas démonter le robinet de réglage du gaz.
- Ne pas essayer de remplacer les composants du robinet de réglage du gaz.
- Le robinet de réglage du gaz doit être remplacé en cas de dommage physique se produisant à l'ensemble du robinet.
- Le non-respect de cet avertissement peut se traduire par un incendie ou une explosion, ce qui peut entraîner des blessures voir la mort d'êtres humains ainsi que des dommages matériels.

- Ce qui suit explique une procédure type à suivre pour contrôler les pressions de gaz.
- Les pressions de gaz varieront en fonction du type de carburant.
- Consulter la plaque signalétique sur la fournaise ou la page 4 du présent manuel pour connaître les pressions précises devant être utilisées en plus de cette procédure.
- La pression de gaz mesurée à l'entrée du robinet de gaz correspond à la pression d'arrivée et la pression de gaz mesurée à la sortie du robinet de gaz correspond à la pression d'admission du brûleur.

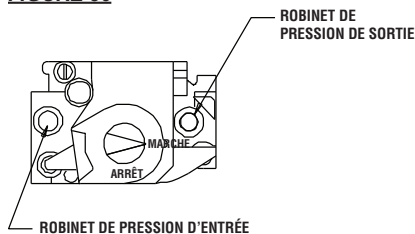
A. Préparation

1. Obtenir deux manomètres capables de lire jusqu'à 35 po de colonne d'eau
2. Débrancher l'alimentation électrique de la fournaise et fermer le robinet d'alimentation en carburant à l'entrée de la fournaise.
3. Ouvrir le panneau d'accès du brûleur.
4. Brosser ou enlever toute poussière et saleté sur le robinet de réglage du gaz ou à proximité de celui-ci.

B. Installation de manomètre

1. Repérer les robinets de pression d'entrée et de sortie, voir la Figure 36. Retirer le bouchon de surpression en utilisant une clé Allen de 3/16 po.

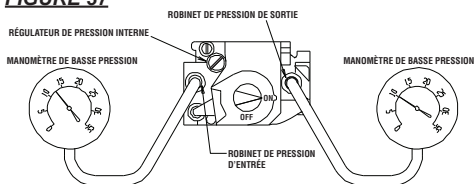
FIGURE 36



2. Connecter en toute sécurité un manomètre à chaque robinet de pression.
3. Ouvrir les robinets d'alimentation en carburant de la fournaise et rebrancher l'alimentation électrique de la fournaise.
4. Démarrer la fournaise

C. Lectures de la pression

1. Alors que la fournaise est en marche, les manomètres doivent lire les pressions précisées sur la plaque signalétique.
2. Est-ce que les lectures à l'entrée et à la sortie des jauges de pression correspondent à celles précisées sur la plaque signalétique? Si la réponse est positive, aucune autre vérification ou aucun autre réglage n'est nécessaire. Passer à la section D.
3. Si les pressions d'entrée ne correspondent pas à celle indiquée sur la plaque signalétique, la pression de gaz du régulateur contrôlant la fournaise nécessite un ajustement.
4. Si les pressions d'entrée sont adéquates et que la pression d'admission du brûleur ne convient pas à ce qui est précisé sur la plaque signalétique, cela signifie que le régulateur de pression interne du robinet de réglage du gaz nécessite un ajustement. Consulter la Figure 37 pour connaître l'emplacement du régulateur.

FIGURE 37

L'EXEMPLE MONTRÉ LA PRESSION DU GAZ PROPANE TOUJOURS
SE REPORTER À LA PRESSION INSCRITE SUR
LA PLAQUE SIGNALÉTIQUE

D. Achèvement

1. Une fois les pressions d'entrée et d'admission au brûleur appropriées confirmées ou correctement configurées, fermer le robinet d'alimentation en carburant de la fournaise et laisser la fournaise brûler tout le gaz restant dans la conduite d'alimentation.
2. Débrancher l'alimentation électrique de la fournaise.
3. Retirer les manomètre et les tuyaux de raccordement.
4. Installer les bouchons de surpression et serrer bien. Vérifier s'il y a des fuites de gaz.

Guide de dépannage

LIRE L'INTÉGRALITÉ DE CETTE SECTION AVANT DE COMMENCER À RÉSOUDRE LES PROBLÈMES.



AVERTISSEMENT

- Cette fournaise peut se mettre en marche à tout moment.
- Le dépannage de ce système peut exiger d'utiliser l'appareil alors qu'une tension secteur est présente et que le gaz est ouvert. Faire preuve d'une extrême prudence lorsque vous travaillez sur la fournaise.
- Le non-respect de cet avertissement peut entraîner des dommages matériels, des blessures voire la mort.

Le guide de dépannage suivant fournit des procédures systématiques pour isoler les problèmes d'équipement. Ce guide est destiné à être utilisé par un **TECHNICIEN QUALIFIÉ EN FOURNAISE ALIMENTÉE AU GAZ. NE PAS TENTER D'EFFECTUER L'ENTRETIEN OU LA RÉPARATION DE CES FOURNAISES À MOINS D'AVOIR ÉTÉ ADÉQUATEMENT FORMÉ.**

ÉQUIPEMENT DE TEST OBLIGATOIRE

Les pièces d'équipement d'essai suivantes seront nécessaires pour résoudre les problèmes de ce système avec un minimum de temps et d'efforts.

- Multimètre numérique – pour mesurer la tension et la résistance en courant alternatif (C. a.) et en courant continu (C. c.).
- Jauge de basse pression – pour vérifier les pressions d'entrée et de sortie de la vanne de commande de gaz en fonction des données figurant sur la plaque signalétique.
- Visuellement inspecter l'équipement pour y déceler tout dommage apparent.
- Vérifier l'intégralité du câblage pour y déceler toute connexion desserrée et toute isolation usée.

Reportez-vous à la séquence de fonctionnement du système dans cette section afin de mieux comprendre la façon dont fonctionne la fournaise lors d'un appel de chaleur. Il importe de comprendre la séquence de fonctionnement puisqu'elle se rapporte à la résolution de problèmes.

Quatre témoins verts sont situés à côté du commutateur. Chaque voyant sera activé en séquence tandis que le circuit dans la fournaise est contrôlé par le commande d'allumage. Si le circuit n'est pas vérifié, le témoin respectif ne s'activera pas. Les problèmes de mode de chauffage les plus courants sont

identifiés par un témoin vert étant en mode d'arrêt si une défaillance particulière se produit. Cependant, deux autres problèmes peuvent également survenir. Voir ci-après.

Identifier le problème spécifique, puis se reporter à l'organigramme de dépannage approprié.

Problèmes de mode de la fournaise Page

Voyant d'état d'alimentation inactif.....	33
Voyant d'état du transformateur inactif.....	33
Voyant d'état de vérification d'air inactif.....	34
Voyant d'état de réglage de gaz inactif.....	35

Toutes les témoins sont allumés, le moteur du ventilateur tourne, le brûleur ne s'allume pas.....

Tous les témoins sont actifs, SAUF le témoin du robinet de gaz.
Le moteur du ventilateur ne fonctionne pas, le brûleur est éteint.....

La fournaise s'allume, mais ne reste pas allumé.....

Problème de mode de ventilation Page

Le moteur ne tourne pas.....	37
------------------------------	----

Les composants doivent uniquement être remplacés suite à l'achèvement de chaque étape et le remplacement est suggéré dans les représentations graphiques. Au besoin, se reporter aux sections d'Entretien pour obtenir de l'information sur les procédures de démontage et de remplacement du composant une fois que le problème identifié par les représentations graphiques.

FONCTIONNEMENT DE LA SÉQUENCE D'ALLUMAGE DIRECT :

- Le thermostat effectue un appel de chaleur.
 - Le voyant d'alimentation actif indique que la fournaise reçoit l'alimentation principale.
- La tension secteur est envoyée au commutateur.
- Le sélecteur envoie la tension secteur au transformateur et à la commande d'allumage.
- Le transformateur réduit la tension secteur envoyée à la commande d'allumage à 24 volts.
 - Le voyant du transformateur est activé indiquant que la commande d'allumage reçoit 24 volts de la part du transformateur.
- Le module de commande d'allumage exécute contrôle de sécurité automatique.
- Le moteur du ventilateur s'arrête.
- Le module de commande d'allumage envoie 24 volts à l'interrupteur de vérification d'air.
 - Les composants internes sont testés.
 - L'interrupteur de vérification d'air est vérifié et confirmé.
- Le module de commande d'allumage amorce la séquence d'essai de l'allumage.

- L'interrupteur de vérification d'air se ferme et 24 volts sont retournés à la borne de commande PS2.
 - Le témoin de l'interrupteur de vérification d'air est activé indiquant que le circuit du contrôleur d'air fonctionne correctement.
- Le module de commande de l'allumage envoie une haute tension à l'électrode d'allumage.
 - L'allumeur produit des étincelles.
- Le module de la commande d'allumage envoie 24 volts au robinet de commande du gaz par l'entremise des interrupteurs de température élevée.
 - Le témoin du robinet des gaz est activé indiquant que le robinet de commande du gaz reçoit 24 volts.
 - Le robinet de réglage du gaz s'ouvre. – L'allumage se produit.
- L'allumeur continue de produire des étincelles jusqu'à ce que la vérification de la flamme se produise.
 - L'étincelle d'allumage est coupée.
 - Le robinet de gaz demeure ouvert.
- Réchauffement de la pièce à la température désirée.
 - Le thermostat a atteint sa température.
 - La fournaise s'arrête.
- Le processus redémarre lors d'un appel de chaleur.

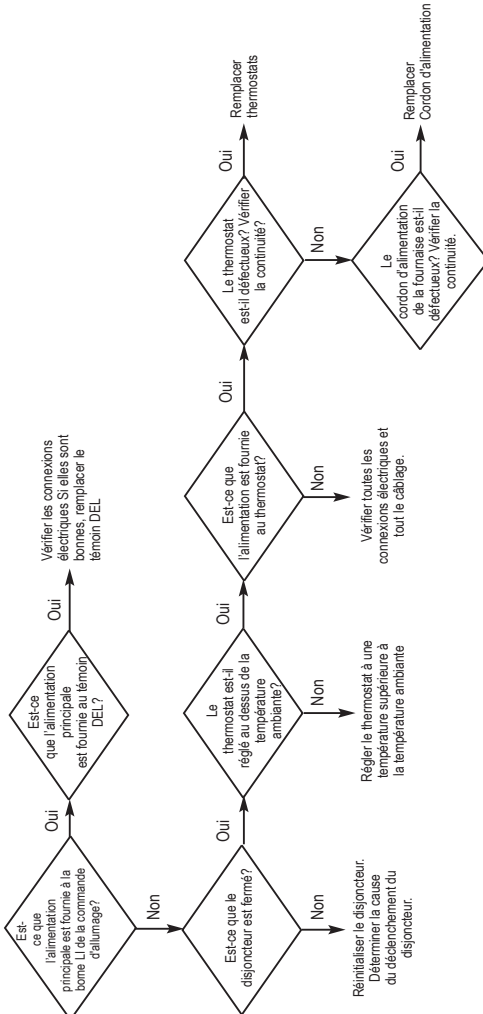
SÉQUENCE D'ALLUMAGE INFRUCTUEUSE :

- Il y a trois essais d'allumage. Chaque essai dure environ dix secondes.
- Si la flamme du brûleur n'est pas maintenue à la fin du troisième essai, le module passe en verrouillage de sécurité
 - Le robinet des gaz se referme.
 - L'étincelle d'allumage s'éteint.
 - Le moteur du ventilateur s'arrête.
- **Pour réessayer un allumage, les systèmes doivent être réinitialisés :**
 - Baisser le thermostat puis le hausser pour effectuer un appel de la chaleur ou débrancher la fournaise et la rebrancher, ou
 - Placer le sélecteur en position d'arrêt, puis de nouveau en position de marche.

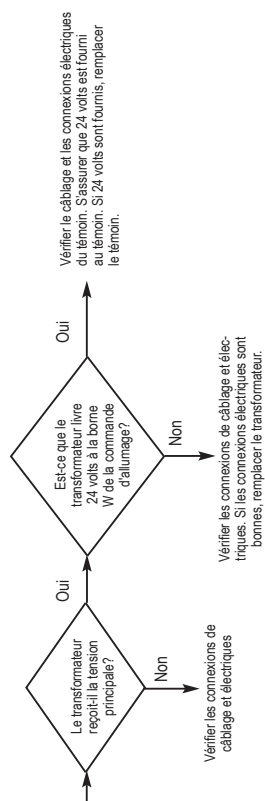
MODE DE CHAUFFAGE :

Tous les témoins sont allumés → **Fonctionnement normal**

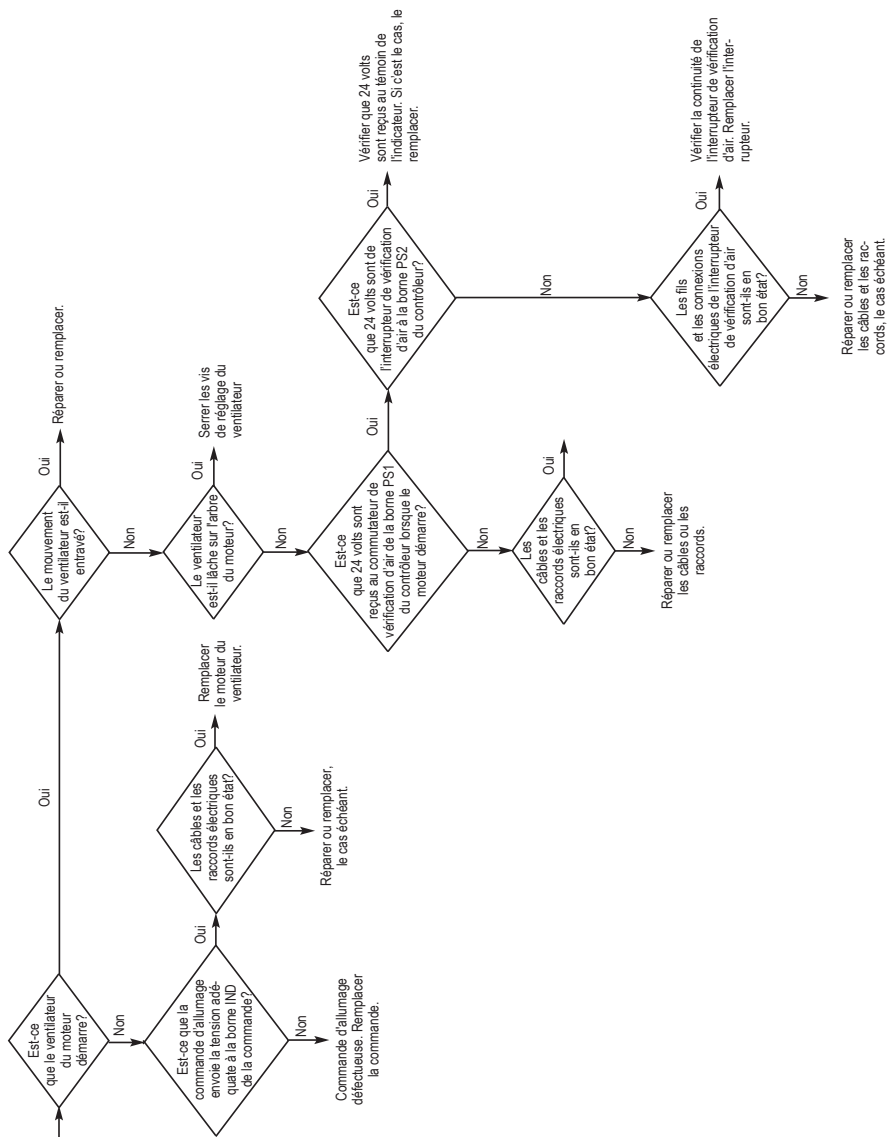
Voyant d'état d'alimentation inactif

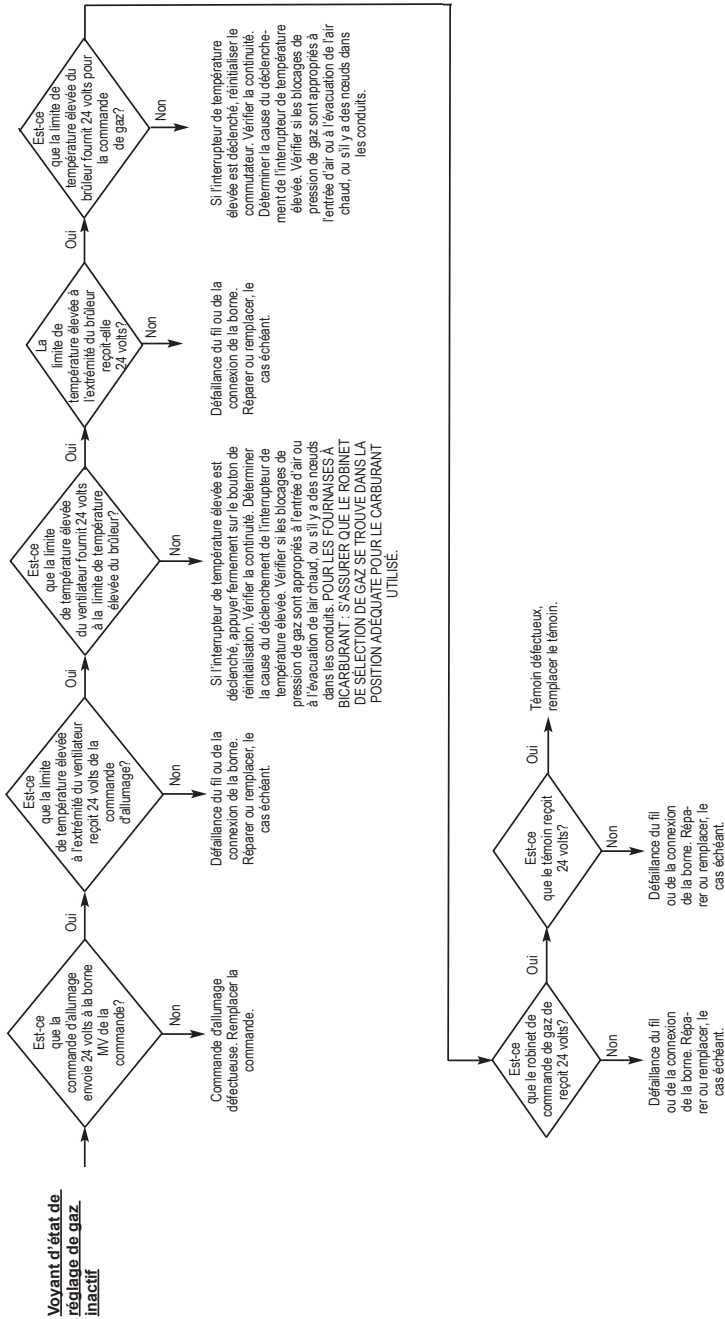


Voyant d'état du transformateur inactif.

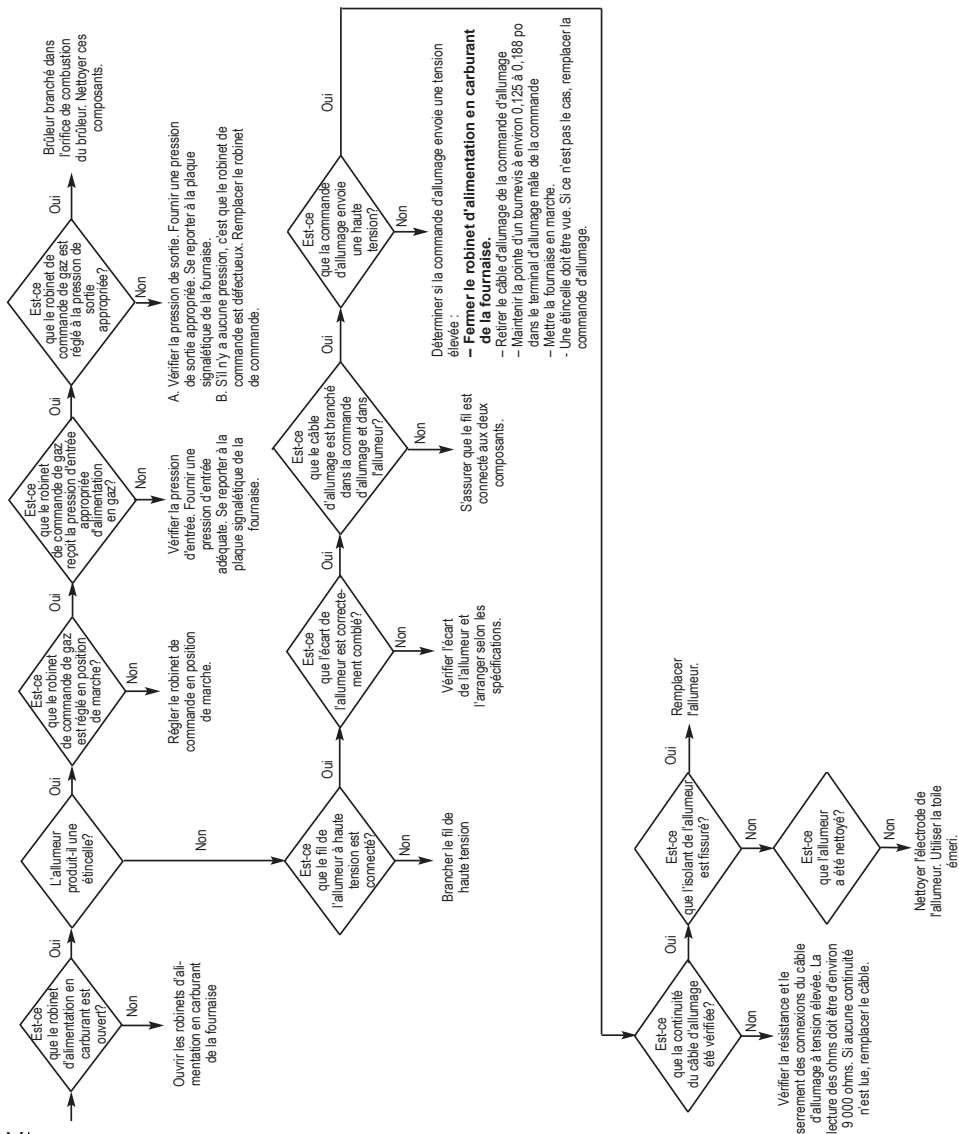


Voyant d'état de vérification d'air inactif





Tous les témoins sont allumés. le moteur du ventilateur tourne. le brûleur ne s'allume pas



Tous les témoins sont actifs. SAUF le témoin du robinet de gaz. Le moteur du ventilateur ne fonctionne pas le brûleur est éteint.

↑ L'interrupteur de vérification d'air a défilé en position fermée ou le mouvement de l'interrupteur de vérification d'air est entravé par le panneau latéral du boîtier du ventilateur. Si le mouvement du bras n'est pas entravé, remplacer l'interrupteur.

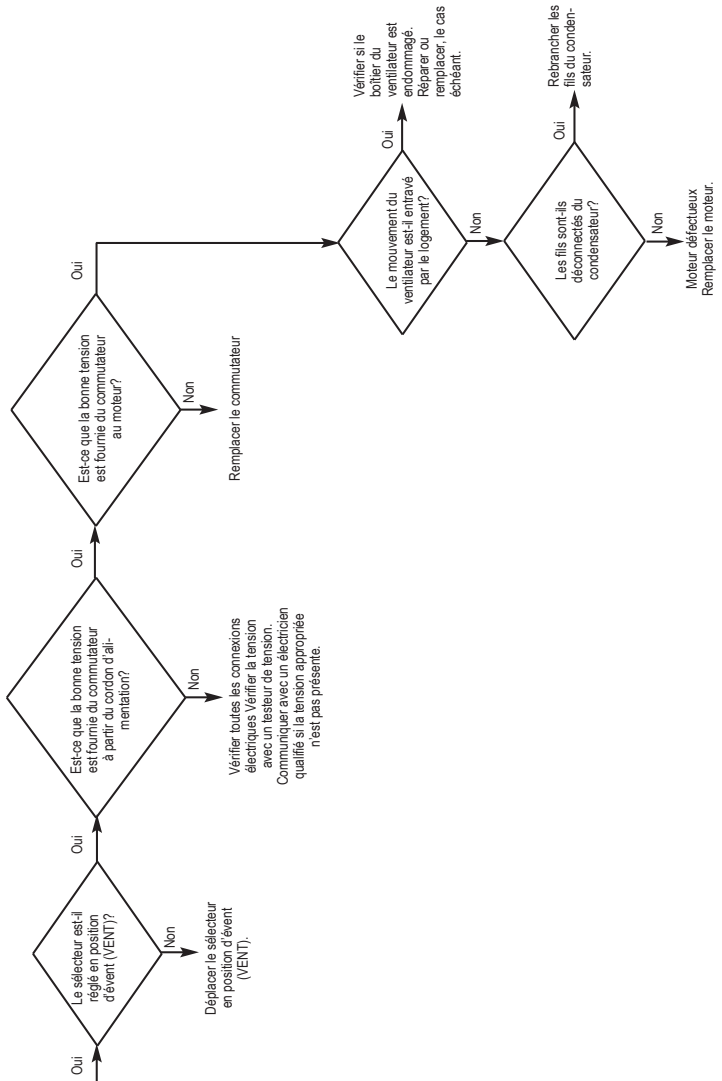
Tous les témoins sont allumés. Le brûleur s'allume, mais ne reste pas allumé

↑ Causé par une mauvaise détection de la flamme ou des problèmes de détection de la flamme. Vérifier si capteur de flamme est fissuré, sale ou mal positionné, ou s'il y a une mauvaise mise à la terre de l'alimentation électrique. (La fournaille nécessite une alimentation électrique reliée à la terre pour assurer un fonctionnement continu.)

MODE VENTILATION :

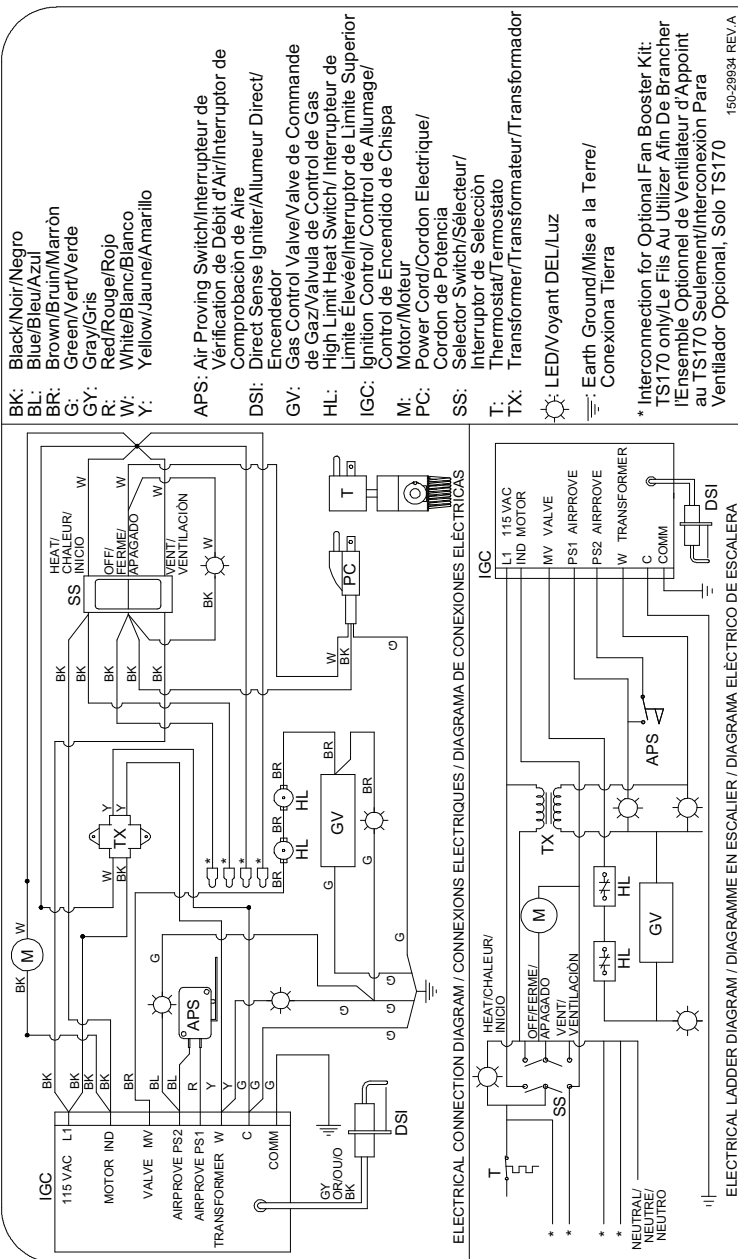
Problème

Le moteur ne fonctionne pas.



⚠ PRUDENCE

Lors de l'entretien, toujours se reporter au schéma de raccordement électrique de la fournaise pour éviter les erreurs de câblage et le dysfonctionnement de la fournaise. S'assurer du bon fonctionnement après l'entretien.



Fonction du composant de la fournaise

Interrupteur de vérification d'air

Le dispositif de sécurité utilisé pour assurer que la circulation d'air est atteinte avant l'ouverture du robinet de gaz.

Brûleur

Un composant de fonte est utilisé pour canaliser le gaz et fournir une zone où le carburant peut s'enflammer.

Orifice du brûleur

Un dispositif de dosage en laiton est utilisé pour alimenter le brûleur à gaz à un taux précis.

Module de commande d'allumage à étincelle directe

La carte de circuit imprimé électronique qui envoie et reçoit des tensions à différentes commandes dans un système d'allumage automatique. Un important dispositif de sécurité de la carte de circuit imprimé fermera l'ensemble de la chaudière, arrêtant ainsi le débit du gaz combustible si la flamme du brûleur s'est éteinte.

Logement du ventilateur

Chambre utilisée pour livrer l'air et assurer une circulation d'air efficace.

Roue de ventilateur

Un composant utilisé en conjonction avec le moteur et le boîtier du ventilateur pour aspirer l'air chaud de la fournaise et le souffler dans la pièce afin de la réchauffer (également appelé une cage d'écureuil).

Robinet de réglage du gaz

Un appareil électrique qui consiste en un régulateur de basse pression et des solénoïdes électriques est utilisé pour contrôler le débit de gaz en direction du brûleur. Une caractéristique du robinet de commande est intégrée au robinet d'arrêt qui est utilisé pour isoler la fournaise de son approvisionnement en gaz lors de l'entretien.

Tuyau de gaz

Connecteur flexible utilisé pour transporter du gaz entre la conduite d'alimentation du bâtiment et la fournaise.

Robinet de sélection du gaz

Permet de simplifier la conversion en fonction du gaz fourni sur le chantier. Cela élimine la nécessité de modifier l'orifice du brûleur. (Disponible sur les fournaises au bicarburant uniquement.)

Chambre de chaleur

Boîte de métal protectrice se trouvant à l'intérieur de l'appareil où la flamme du brûleur se mélange à l'air de combustion fournissant ainsi de la chaleur.

Interrupteur de température élevée

Dispositif de sécurité branché au système de commande qui est utilisé pour rompre un circuit électrique au robinet de réglage du gaz en cas de surchauffe. (Toutes les fournaises Premier comportent deux interrupteurs de température élevée.)

Allumeur

Dispositif d'allumage utilisé sur les systèmes de contrôle automatique de l'allumage. Enflamme le gaz au moyen d'une étincelle.

Moteur

Dispositif électrique utilisé pour forcer l'air préchauffé à travers la fournaise et faire circuler la chaleur dans une certaine zone. Convertit l'énergie électrique en énergie mécanique.

Régulateur

Appareil mécanique utilisé dans les systèmes de distribution de gaz de pétrole liquéfiés et de gaz naturel afin de réduire une pression d'entrée supérieure jusqu'à une pression inférieure prédéterminée. Le régulateur est chargé de fournir une pression de sortie constante à la fournaise, et ce, en dépit des variations de pression d'admission, de demande de chauffage et de conditions météorologiques.

Commutateur

Dispositif électrique qui est utilisé pour permettre à l'utilisateur final d'utiliser la fournaise soit dans une application de chauffage ou de ventilation.

Voyants d'état

Une diode électroluminescente (DEL) verte branchée sur le circuit électrique. Procure une indication facilement reconnaissable de l'opération de la fournaise.

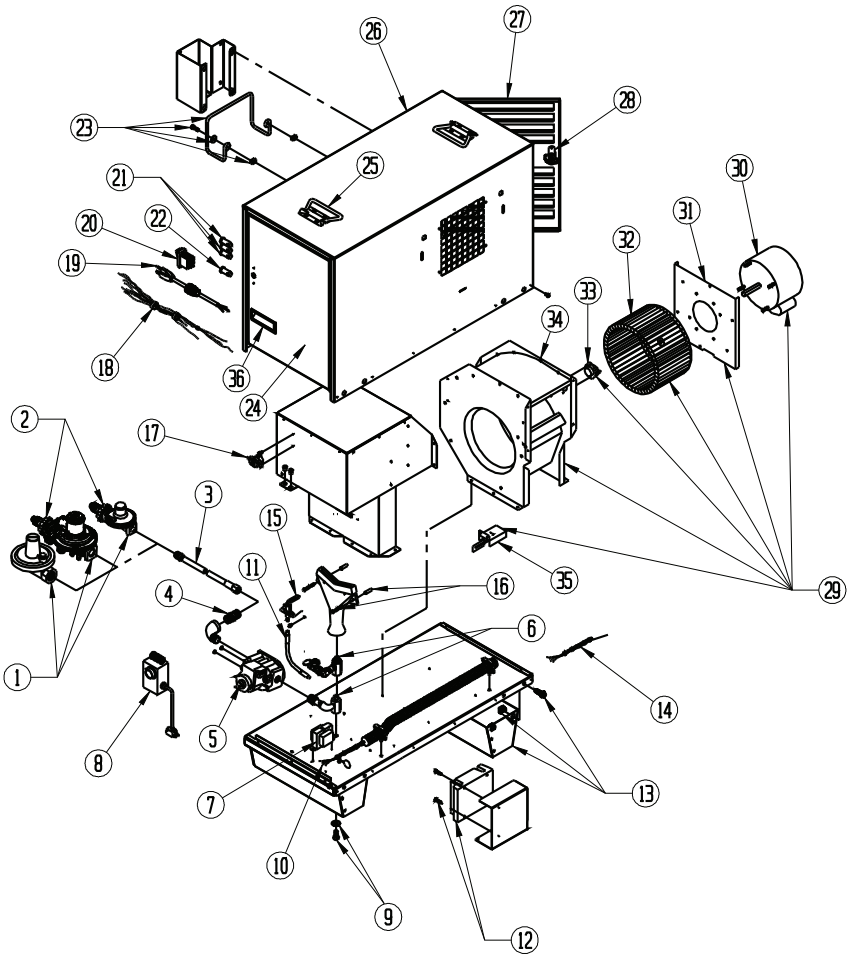
Thermostats

Appareil électrique utilisé comme un interrupteur marche/arrêt automatique qui répondra aux changements de température dans une certaine zone. Peut être câblé de sorte que les contacts dans le thermostat s'ouvrent ou se ferment en fonction d'une augmentation ou d'une diminution de la température.

Transformateur

Commande électrique utilisée pour accepter la tension de l'alimentation principale et la réduire afin d'abaisser la tension secondaire pour faire fonctionner certains systèmes de commande.

Schémas d'identification des pièces de rechange

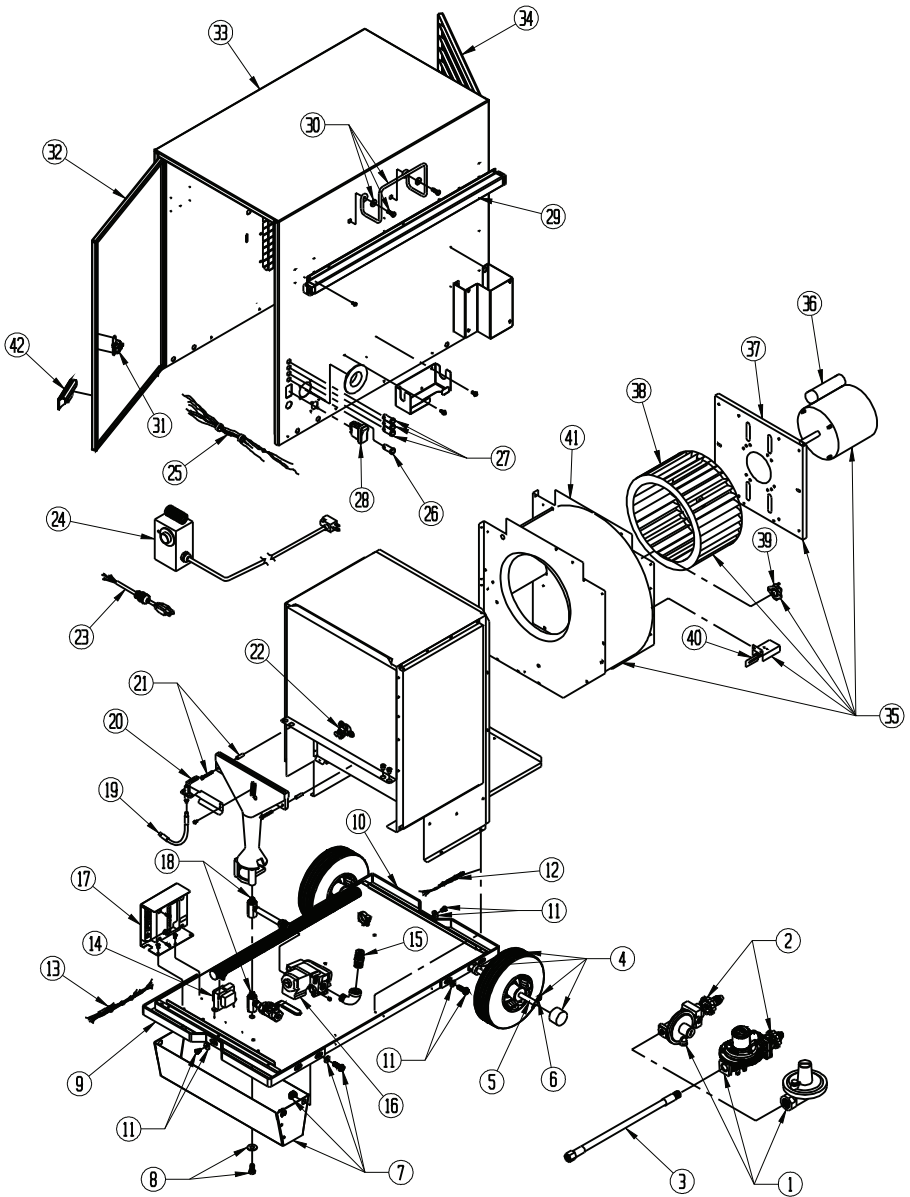


Article	Description	Numéro de pièce	
1	Régulateur	Gaz propane	26377
		Gaz naturel	21999
		Bicarburent	573610
2	volant de manœuvre avec ressort	Gaz propane/bicarburent	26395
3	Trousse à tuyau universel, 4,57 m/15 pi, tuyau avec adaptateurs		24600
4	Adaptateur, tuyau, 1/2 NPT x 5/8 à 18		06655

Liste des pièces – Premier 80, gaz de pétrole liquéfiés, gaz naturel et bicarburant

Article	Description	Numéro de pièce	
5	Robinet, réglage du gaz	Gaz propane/bicarburant	522076
		Gaz naturel	522078
6	Orifice, brûleur	Gaz propane	571625
		Gaz naturel	571626
		Bicarburant	573611
7	Transformateur	26412	
8	Trousse de thermostat avec cordon de 6,10 m/20 pi	09454	
9	Rondelle, boulon	25866	
10	Faisceau, fil, extrémité du brûleur	26383	
11	Fil, allumeur	25840	
12	Commande d'allumage	25865	
13	Patte de soutien	26378	
14	Faisceau, fil, extrémité moteur	26382	
15	Allumeur	571662	
16	Quincaillerie de montage du brûleur	570211	
17	Interrupteur, température élevée, extrémité brûleur (275 °F)	503933	
18	Faisceau, fil, voyants d'état	26381	
19	Cordon d'alimentation	26379	
20	Interrupteur, sélecteur	26385	
21	Témoin, état, 24 volts	26392	
22	Témoin, état, 120 volts	26393	
23	Support, tuyau	571619	
24	Ensemble de porte, côté brûleur	573453	
25	Poignée, boîtier supérieur	571628	
26	Ensemble de boîtier	573455	
27	Ensemble de porte, extrémité du ventilateur	573457	
28	Loquet, porte	26437	
29	Ensemble de logement du ventilateur avec moteur, ventilateur, interrupteurs de température élevée et de vérification d'air	26384	
30	Moteur	520292	
31	Support de moteur	571686	
32	Ventilateur	570304	
33	Interrupteur, température élevée, extrémité du ventilateur (250 °F)	571671	
34	Logement, ventilateur	571612	
35	Interrupteur, vérification d'air	26485	
36	Poignée, poignée de porte	26479	

Schémas d'identification des pièces de rechange



Liste des pièces – Premier 170 gaz de pétrole liquéfiés, gaz naturel et bicarburant

Ar-ticle	Description		Numéro de pièce
1	Régulateur	Gaz propane	26419
		Gaz naturel	09795
		Bicarburant	26423
2	Volant de manœuvre avec ressort	Gaz propane/bicarburant	26395
3	Trousse à tuyau universel, 4,57 m/15 pi. Tuyau avec adaptateurs		24600
4	Trousse de roue		26418
5	Trousse d'essieu		26415
6	Goupille		26417
7	Trousse de support de patte		26413
8	Boulon et rondelle		25866
9	Poignée, support, extrémité du brûleur		26426
10	Poignée, support, extrémité du moteur		26427
11	Écrous, boulons et rondelle		26443
12	Faisceau de fils, extrémité du brûleur		26406
13	Faisceau de fils, extrémité du brûleur et de la commande de gaz		26407
14	Transformateur		26412
15	Adaptateur, tuyau, 1/2 NPT x 5/8-18	Gaz propane/bicarburant	06655
		Gaz naturel	25873
16	Robinet, réglage du gaz	Gaz propane	522076
		Gaz naturel	522078
		Bicarburant	25831
17	Commande de l'allumage		25865
18	Orifice	Gaz propane	21573
		Gaz naturel	571624
		Bicarburant	25870
19	Fil, allumeur		25840
20	Allumeur		571662
21	Quincaillerie de montage du brûleur		570211
22	Interrupteur, température élevée, extrémité brûleur (275 °F)		503933
23	Cordon, alimentation		26379
24	Trousse de thermostat avec cordon de 6,10 m/20 pi		09454
25	Faisceau de fils, voyants d'état		26408
26	Témoin, état, 120 volts		26393
27	Témoin, état, 24 volts		26392
28	Interrupteur, chaleur/ventilation, bascule		26385

Ar-ticle	Description	Numéro de pièce
29	Poignée, coulissante	571760
30	Support, tuyau	571619
31	Loquet, porte	26437
32	Porte, côté brûleur	573458
33	Ensemble de boîtier	573460
34	Porte à persienne, côté moteur	573462
35	Ensemble de logement du ventilateur avec moteur, ventilateur, interrupteurs de température élevée et de vérification d'air	26439
36	Moteur	520169
37	Support, moteur	25835
38	Ventilateur	570481
39	Interrupteur, température élevée, le moteur s'éteint (190 °F)	571400
40	Interrupteur, vérification d'air	09925
41	Logement, ventilateur	26440
42	Poignée, porte	26479

Remarques

Politique de garantie

FOURNAISE

L.B. White Co., Inc. garantit que les éléments constitutifs de sa fourniture sont exempts de défauts de matériaux et de fabrication, lorsqu'ils sont correctement installés, utilisés et entretenus conformément aux directives d'installation et d'entretien, aux guides de sécurité et aux étiquettes apposées sur chaque unité. Si, dans les douze mois à compter de la date d'achat par l'utilisateur final, un composant est jugé défectueux, L.B. White Co., Inc., à sa discrétion, réparera ou remplacera la pièce défectueuse ou la fournaise, au moyen d'une nouvelle pièce ou une fournaise, F.O.B., Onalaska, Wisconsin. L'enregistrement de votre produit en ligne auprès de L.B. White qualifiera automatiquement un appareil et ses composants à la garantie. Si un produit n'a pas été enregistré auprès de L.B. White, une copie de l'acte de vente sera nécessaire pour établir l'admissibilité à la garantie. Si ni l'un ni l'autre n'est disponible, la période de garantie sera de douze mois à compter de la date d'expédition des locaux de L.B. White.

PIÈCES

L.B. White Co., Inc. garantit que les pièces de rechange achetées à la société et utilisées sur l'équipement L.B. White approprié sont exemptes de défauts à la fois de matériel et de fabrication pendant douze mois à compter de la date d'achat par l'utilisateur final. La garantie est automatique si un composant est jugé défectueux dans les douze mois suivant le code de date indiquée sur la pièce. Si le défaut se produit plus de 24 mois plus tard que le code de date, mais dans les douze mois à compter de la date d'achat par l'utilisateur final, une copie d'une facture de vente sera nécessaire pour établir l'admissibilité à la garantie.

La garantie énoncée ci-dessus est la garantie exclusive fournie par L.B. White, et toutes les autres garanties, y compris les garanties implicites de qualité marchande ou d'adéquation à un usage particulier, sont expressément exclues. Dans le cas où une garantie implicite n'est pas expressément accordée en raison de la loi, cette garantie implicite est limitée en durée à la durée de la garantie applicable indiquée ci-dessus. Les solutions

mentionnées ci-dessus représentent les seuls et exclusifs recours disponibles aux termes des présentes. L.B. White ne pourra être tenue responsable des dommages indirects ou consécutifs, directement ou indirectement liés à la vente, la manutention ou l'utilisation de l'équipement, et dans tous les cas, la responsabilité de L.B. White en lien avec l'équipement, y compris pour les réclamations reposant sur la négligence ou la responsabilité stricte, est limitée au prix d'achat.

Certains États et certaines provinces ne permettent pas les délais de prescription quant à la durée d'une garantie implicite, ainsi le délai de prescription ci-dessus peut ne pas vous concerner.

Certains États et certaines provinces ne permettent pas l'exclusion ou la limitation des dommages indirects ou consécutifs, de sorte que la limitation ou l'exclusion ci-dessus peut ne pas vous concerner. Cette garantie vous procure des droits juridiques précis et vous pouvez également avoir d'autres droits qui varient d'une province à l'autre.

Pour enregistrer votre produit et vous assurer d'obtenir la garantie intégrale, rendez-vous à l'adresse http://www.lbwhite.com/customer_care_center/product-registration/. Veuillez avoir les numéros de série et les modèles sous la main des produits que vous enregistrez.

Service courant, maintenance et entretien

Communiquez avec votre distributeur L.B. White local pour obtenir des pièces de rechange et assurez le service courant. Vous pouvez également appeler L.B. White Co., Inc. au 1 800 345-7200, pour obtenir de l'assistance ou par courriel à l'adresse customerservice@lbwhite.com.

Assurez-vous d'avoir votre numéro de modèle de la fournaise ainsi que le numéro de configuration sous la main lors de l'appel.



FOURNISSEUR MONDIAL - SOLUTIONS INNOVANTES DE CHAUFFAGE

411 Mason Street, Onalaska, WI 54650

1 800 345-7200 • 608 783-5691

608 783-6115 (télécopieur)

www.lbwhite.com